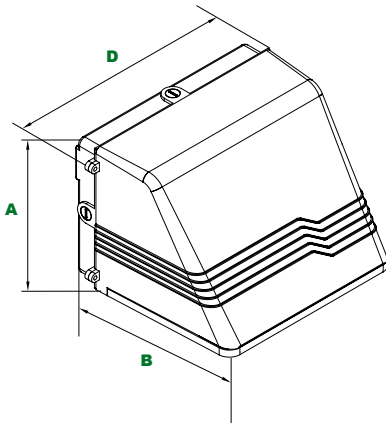


NHL-M WEDGE

Medium Full Cutoff Wall Pack



Dimensions

Width (D)	14¼" (362mm)
Length (B)	11¾" (289mm)
Height (A)	9⅝" (232mm)

Project Information:

Project Name:	Fixture Type:
Complete Catalog #:	Date:
Comments:	

The NHL-M WEDGE cutoff wall pack luminaire is available with a choice of optical distributions designed to replace HID lighting systems 175w to 400w MH or HPS. Typical wall mounted lighting applications include retail centers, industrial parks, schools and universities, public transit and airports, office buildings and medical facilities. Mounting heights of 12 to 18 feet can be used based on light level and uniformity requirements.

Specifications and Features:

Housing:

Die Cast Hinged and Gasketed Aluminum Front Frame and Housing with ½" Coin Plugs. Nickel-Plated Stainless Steel Hardware. Photocell Adaptable.

Listing & Ratings:

CSA: Listed for Wet Locations, ANSI/UL 1598, 8750; IP65 Sealed LED Compartment.

Finish:

Textured Architectural Bronze Powdercoat Finish Over a Chromate Conversion Coating. Custom Colors Available Upon Request.

Lens:

Tempered Clear Flat Glass Lens or Tempered Clear Flat Prismatic Glass Lens.

Mounting Options:

Cast-in Template for Mounting Directly Over a 4" Recessed Outlet Box, or Use ½" Surface Conduit.

LED Array:

Aluminum Boards

Wattage:

25w Array: 24.78w, System: 27.1w
37w Array: 37.2w, System: 40.6
50w Array: 50w, System: 54.2w

Driver:

Electronic Driver, 120-277V, 50/60Hz; Less Than 20% THD and PF>0.90. Standard Internal Surge Protection 6kV. 0-10V Dimming Standard for a Dimming Range of 100% to 10%; Dimming Source Current is 150 Microamps.

Controls:

Fixtures Ordered with Factory-Installed Photocell or Motion Sensor Controls are Internally Wired for Switching and/or 1-10V Dimming Within the Housing. Remote Direct Wired Interface of 1-10V Dimming is Not Implied and May Not Be Available, Please Consult Factory. Fixtures are Tested with LEPC Controls and May Not Function Properly With Controls Supplied By Others. Fixtures are NOT Designed for Use with Line Voltage Dimmers.

Warranty:

5-Year Warranty for -40°C to +40°C Environment.

See Page 3 for Projected Lumen Maintenance Table.

Certification & Listings:



Medium Full Cutoff Wall Pack

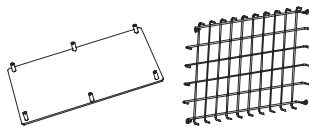
Order Information Example:
NHL-MWEDGE-C-50W-UNV-50K-C-Z

NHL-MWEDGE							
Model	Optics	Wattage	CCT	Driver	Lens	Color	Options
NHL-MWEDGE= Medium Full Cutoff Wall Pack	C= Type III F= Type V	25W =25w 37W =37w 50W =50w	30K =3000K* 40K =4000K 50K =5000K *37w & 50w for Type III Only	UNV =120-277V	C =Clear Flat Glass Lens, P =Clear Flat Prismatic Glass Lens* *Use with F Optic Only.	Z =Bronze CC =Custom (Consult Factory)	SF =Single Fuse* DF =Double Fuse* SP =Surge Protection PC3 =Photocell, 120-277VAC S2 =Microwave Sensor with Dimming for Mounting Heights of 8' to 40'.* S4 =Microwave On/Off Motion Sensor for Mounting Heights of 8' to 19'.* EM =Battery Backup, 90 Minutes* EMCW =Cold Start Battery Backup, -20°C, 90 Minutes* *120-277V Models Only.

Accessories & Replacement Parts:
**Accessories
(Order Separately, Field Installed)**

WPC15LG Clear UV-Stabilized Polycarbonate Vandal Resistant Guard, Includes Hardware.

WPC15WG Wire Guard, Stainless Steel Construction, Includes Hardware.


WPC15LG
WPC15WG
**Replacement Parts
(Order Separately, Field Installed)**

WPC15GLC Tempered Clear Flat Glass Lens.

WPC15GLP Tempered Prismatic Flat Glass Lens.

P18103 120-277VAC Photocell

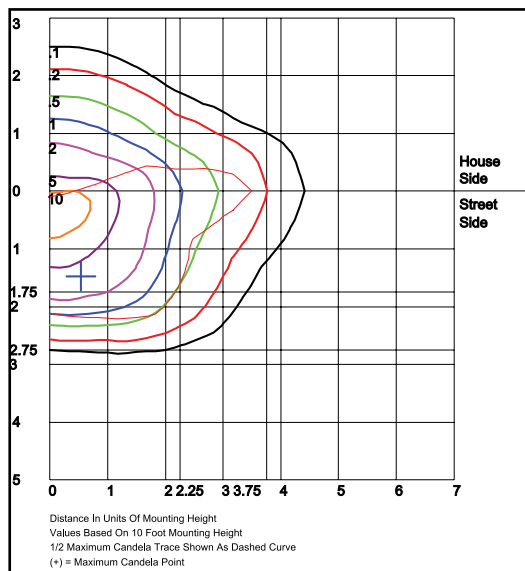
P17117 Internal Microwave Sensor with Dimming for Mounting Heights of 8 to 40'. 120-277VAC, 50/60Hz

P17123 Internally Mounted Microwave On/Off Motion Sensor for Mounting Heights of 8' to 19', 120-277VAC, 50/60Hz

For Replacement Battery Backup, see the LEPG LED Battery Backup Specification Sheet.

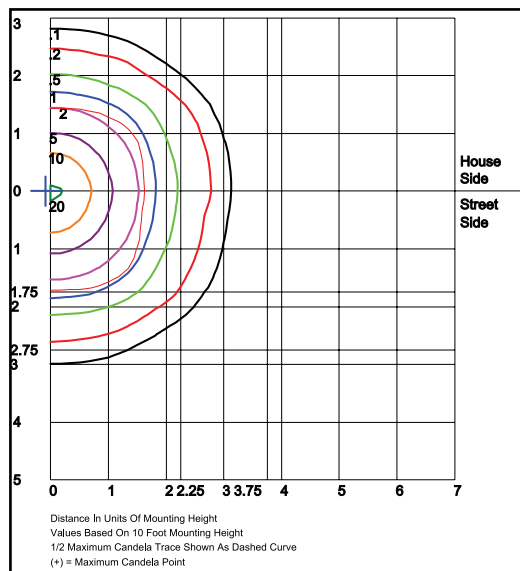

P18103

P17117

P17123
Photometric Data

NHL-MWEDGE-C-50W-UNV-50K-C
Type III

Grid in MH

MH=10 Feet


NHL-MWEDGE-F-50W-UNV-50K-C
Type V

Grid in MH

MH=10 Feet



Medium Full Cutoff Wall Pack

Photometric Performance

Wattage (Catalog Logic)		25W (1X25)	37W (1X37)	50W (1X50)
Input Watts		27.1W	40.6W	54.2W
Optic	CCT	Delivered Lumens		
C = Type III	3000K	-	3,784	5,046
	4000K	2,737	4,105	5,473
	5000K	2,851	4,276	5,701
	BUG Rating	B1-U2-G1	B1-U2-G1	B1-U2-G1
F = Type V	3000K	-	-	-
	4000K	2,867	4,301	5,735
	5000K	2,987	4,480	5,974
	BUG Rating	B1-U2-G0	B2-U2-G0	B2-U2-G0

Projected Lumen Maintenance

Data shown for 5000 CCT		Compare to MH				
TM-21-11	Input Watts	Initial	25,000 Hrs	50,000 Hrs	100,000 Hrs	Calculated LED Life
L70 Lumen Maintenance @ 25°C / 77°F	All wattages up to and including 54w	1.00	0.96	0.93	0.86	213,000
L70 Lumen Maintenance @ 50°C / 122°F		1.00	0.93	0.87	0.73	113,000
L80 Lumen Maintenance @ 40°C / 104°F		1.00	0.95	0.89	0.78	91,000

NOTES:

1. Projected per IESNA TM-21-11. Data references the extrapolated performance projections for the 525mA base model in a 25°C ambient, based on 10,000 hours of LED testing per IESNA LM-80-08.
2. Compare to MH box indicates suggested Light Loss Factor (LLF) to be used when comparing to Metal Halide (MH) systems.