



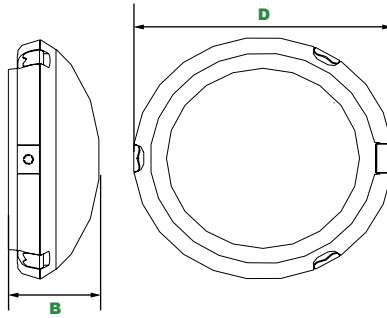
NHL-MSS

LED Small Moonglow



Dimensions

Length (B)	5¼" (135mm)
Diameter (D)	13¾" (350mm)



The NHL-MSS Small Moonglow is designed to replace HID lighting systems up to 100w MH or HPS. The open door frame allows for maximum light output. Typical applications include office and public buildings, condominiums, schools, shopping malls, and hospitality. Recommended mounting heights are 8 to 20 feet.

Specifications and Features:

Housing:

Round White ABS Housing with Hinged Front Frame and 4 Clips with Tamper Resistant Screws.

Listing & Ratings:

CSA: Listed for Wet Locations, Wall and Ceiling Mount. ANSI/UL 1598, 8750 IP65 Sealed LED Compartment.

Lens:

Low Profile Opal UV-Stabilized Polycarbonate Lens for Evenly Diffused Light.

Mounting Options:

Surface Ceiling or Wall Mount

LED:

Aluminum Boards

Wattage:

System: 20w (100w HID Equivalent)

Driver:

Electronic Driver, 120-277V, 50/60Hz; Less Than 20% THD and PF>0.90. Standard Internal Surge Protection 2kV. 0-10V Dimming Standard for a Dimming Range of 100% to 10%; Dimming Source Current is 150 Microamps.

Warranty:

5-Year Warranty for -40°C to +40°C Environment.

Order Information Example: NHL-MSS-T5-20W-40K-UNV-W

NHL-MSS	T5	20W	40K	UNV	W	
Model	Optics	Wattage	CCT	Voltage	Color	Options
NHL-MSS= EasyLED Small Moonglow	T5=Type IV	20W=20w	40K=4000K	UNV= 120-277V	W=White	S2=Microwave Sensor with Dimming for Mounting Heights of 8 to 40' (120-277V Only) S4=Microwave On/Off Motion Sensor for Mounting Heights of 8' to 19', (120-277V Only)

Project Information:

Project Name: _____ Fixture Type: _____

Complete Catalog #: _____ Date: _____

Comments: _____

Certification & Listings:



Rev. 040620

Accessories & Replacement Parts:



WPR32TAMKIT
(Shown Attached)



P17117



P17123

Accessories (Order Separately, Field Installed)

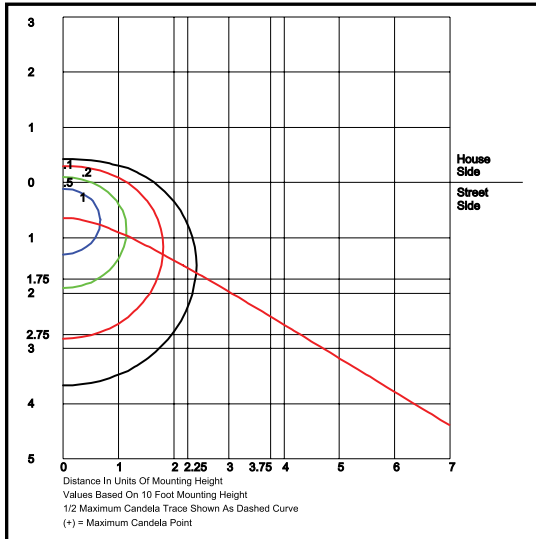
WPR32TAMKIT Tamper-Resistant Kit Consisting of 4 Clips and Screws. Use One Kit Per Fixture.

Replacement Parts (Order Separately, Field Installed)

P17117 Internal Microwave Sensor with Dimming for Mounting Heights of 8 to 40'. 120-277VAC, 50/60Hz.

P17123 Internally Mounted Microwave On/Off Motion Sensor for Mounting Heights of 8' to 19'. 120-277VAC, 50/60Hz

Photometric Data



NHL-MSS-T5-20W-40K-UNV-W

Type IV
Grid in MH
MH=10 Feet

Photometric Performance

LED Board Watts	Drive Current (mA)	Input Watts	Optics	4000 CCT 80 CRI				
				Lumens	LPW	B	U	G
LED 20w	525	20	Type IV	1,869	93	0	4	2

Specifications subject to change without notice. Rev. 040620