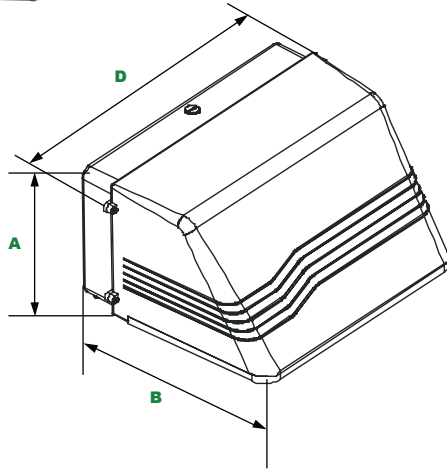




NHL-LWEDGE

LED Large Full Cutoff Wall Pack

L70
25°C **201,000 Hours**



Dimensions

Width (D)	18 1/4" (464mm)
Length (B)	13 3/4" (349mm)
Height (A)	9 1/4" (232mm)

The NHL-LWEDGE cutoff wall pack luminaire is available with a choice of optical distributions designed to replace HID lighting systems 250w to 400w MH or HPS. Typical wall mounted lighting applications include retail centers, industrial parks, schools and universities, public transit and airports, office buildings and medical facilities. Mounting heights of 18 to 30 feet can be used based on light level and uniformity requirements.

Specifications and Features:

Housing:

Die Cast Hinged and Gasketed Aluminum Front Frame and Housing with 1/2" Coin Plugs. Nickel-Plated Stainless Steel Hardware. Photocell Adaptable.

Listing & Ratings:

CSA: Listed for Wet Locations, ANSI/UL 1598, 8750; IP65 Sealed LED Compartment.

Finish:

Textured Architectural Bronze Powdercoat Finish Over a Chromate Conversion Coating. Custom Colors Available Upon Request.

Lens:

Tempered Clear Flat Glass Lens or Tempered Clear Flat Prismatic Glass Lens.

Mounting Options:

Cast-in Template for Mounting Directly Over a 4" Recessed Outlet Box, or Use 1/2" Surface Conduit.

EasyLED LED:

Aluminum Boards

Wattage:

Array: 37w, System: 40.6w; (250w HID Equivalent)
Array: 55.8w, System: 60.9w; (400w HID Equivalent)

Driver:

Electronic Driver, 120-277V, 50/60Hz or 347-480V, 50/60Hz; Less Than 20% THD and PF>0.90. Standard Internal Surge Protection 6kV. 0-10V Dimming Standard for a Dimming Range of 100% to 10%; Dimming Source Current is 150 Microamps.

Controls:

Fixtures Ordered with Factory-Installed Photocell or Motion Sensor Controls are Internally Wired for Switching and/or 1-10V Dimming Within the Housing. Remote Direct Wired Interface of 1-10V Dimming is Not Implied and May Not Be Available, Please Consult Factory. Fixtures are Tested with LEPC Controls and May Not Function Properly With Controls Supplied By Others. Fixtures are NOT Designed for Use with Line Voltage Dimmers.

Warranty:

5-Year Warranty for -40°C to +40°C Environment.

See Page 2 for Projected Lumen Maintenance Table.

Order Information Example:

NHL-LWEDGE-C-5W-6U5KCZSP

Model	Optics	Wattage	CCT	Voltage	Lens	Color	Options
NHL-LWEDGE=LED Large Full Cutoff Wall Pack	C =Type III F =Type V	37W =37watts 56W =56watts	40K =4000K 50K =5000K	UNV =120-277V 480V =347-480V	C =Clear Flat Glass Lens, P =Clear Flat Prismatic Glass Lens* *Use with F Optic Only.	Z =Bronze CC =Custom (Consult Factory)	SF =Single Fuse (120-277V Only) DF =Double Fuse (120-277V Only) SP =Surge Protection PC1 =Photocell, 120VAC PC3 =Photocell, 120-277VAC S2 =Microwave Sensor with Dimming for Mounting Heights of 8 to 40'. (120-277V Only) S4 =Microwave On/Off Motion Sensor for Mounting Heights of 8' to 19', (120-277V Only) EM =Battery Backup

Project Information:

Project Name: _____ Fixture Type: _____
 Complete Catalog #: _____ Date: _____
 Comments: _____

Certification & Listings:



Specifications subject to change without notice. Rev. 070220

Accessories & Replacement Parts:



Accessories (Order Separately, Field Installed)

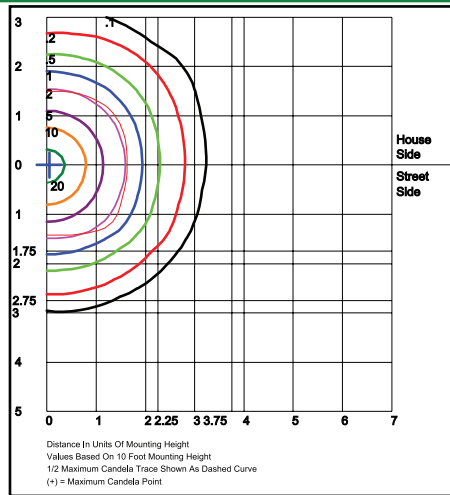
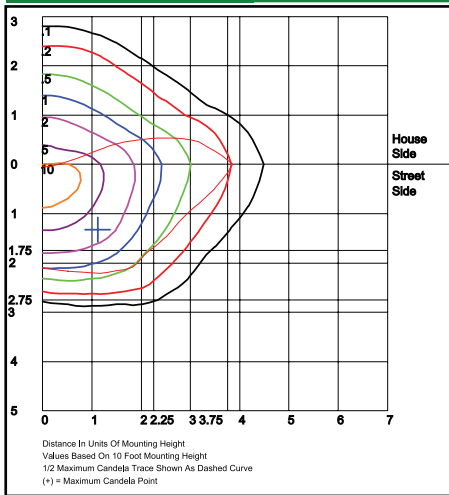
WG Wire Guard, Stainless Steel Construction, Includes Hardware.

Replacement Parts (Order Separately, Field Installed)

C	Tempered Clear Flat Glass Lens.
P	Tempered Prismatic Flat Glass Lens.
PC1	120VAC, Photocell
PC3	120-277VAC Photocell
S2	Internal Microwave Sensor with Dimming for Mounting Heights of 8 to 40'. 120-277VAC, 50/60Hz
S4	Internally Mounted Microwave On/Off Motion Sensor for Mounting Heights of 8' to 19', 120-277VAC, 50/60Hz

For Replacement Battery Backup, see the LEPG LED Battery Backup Specification Sheet.

Photometric Data



NHL-LWEDGE-C-56W-UNV-50K-C

Type III
Grid in MH
MH=10 Feet

NHL-LWEDGE-F-56W-UNV-50K-C

Type V
Grid in MH
MH=10 Feet

Photometric Performance

Optic	CCT	Wattage (Catalog Logic)	
		37W (1X37)	56W (1X56)
Input Watts		40.6W	60.9W
Delivered Lumens			
C = Type III	4000K	4,074	6,112
	5000K	4,244	6,366
	BUG Rating	B1-U2-G1	B2-U2-G2
F = Type V	4000K	4,510	6,765
	5000K	4,698	7,047
	BUG Rating	B2-U2-G1	B2-U2-G1

Projected Lumen Maintenance

Data shown for 5000 CCT	Input Watts	Compare to MH				Calculated LED Life
		TM-21-11	Initial	25,000 Hrs	50,000 Hrs	
L70 Lumen Maintenance @ 25°C / 77°F	All wattages up to and including 61w	1.00	0.96	0.93	0.85	201,000
L70 Lumen Maintenance @ 50°C / 122°F		1.00	0.93	0.86	0.73	110,000
L80 Lumen Maintenance @ 40°C / 104°F		1.00	0.94	0.88	0.77	86,000

NOTES:

1. Projected per IESNA TM-21-11. Data references the extrapolated performance projections for the 525mA base model in a 25°C ambient, based on 10,000 hours of LED testing per IESNA LM-80-08.
2. Compare to MH box indicates suggested Light Loss Factor (LLF) to be used when comparing to Metal Halide (MH) systems.

Specifications subject to change without notice.