

LED Vaportight 2', 4', & 8' Gasketed Enclosure



Job Name: _____

Type: _____

FEATURES / SPECIFICATIONS:

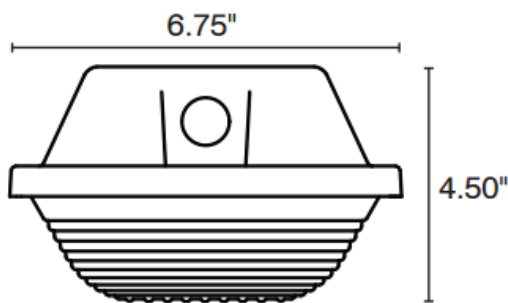
- Ease of Installation and Maintenance
- Visually familiar light sourcing
- Poured in place gasket seal the enclosures from most hostile environments.
- Economical Mounting System can provide dramatic savings installation labor.
- Very tough diffusers resist breakage and reduce replacement and maintenance costs.
- Available in 2', 4', & 8' lengths.
- FR50™ Frosted for reducing direct glare and image of the LED
- Durable stainless steel mounting hardware.
- No need to drill through the housing for installation.
- Installation time is dramatically reduced, lowering costs.
- Optional stainless steel bail for chain/cable hung installations.

APPLICATIONS:

Wet and Damp Locations, Food processing facilities, kitchens, parking garages, car washes, government facilities, schools, public areas and industrial facilities.

ACCESSORIES:

MB (Stainless Steel Mounting Bracket)
Stainless Steel Clips (Requires 6 per 4' Section)
EM Driver; Specify Voltage & Consult Factory
ACH - Aircraft Cable Hanger
PCL - Polycarbonate Lens
LPCW - Latch Polycarbonate White



ORDERING CODE:

Fill in the boxes with the options you need fax it to us at: 732-833-8085

NHL-LVTS	Length: <input style="width: 80px; height: 25px;" type="text"/>	Wattage: <input style="width: 120px; height: 25px;" type="text"/>	Color Temp: <input style="width: 80px; height: 25px;" type="text"/>	Voltage: <input style="width: 80px; height: 25px;" type="text"/>	Options: <input style="width: 200px; height: 25px;" type="text"/>
	2 =2' Length 4 =4' Length 8 =8' Length	42W 42 Watts (8ft Only) 44W 44 Watts 62W 62 Watts (8ft Only) 64W 64 Watts (4ft Only) 86W 86 Watts (4ft & 8ft Only)	35K =3,500K 40K =4,000K 50K =5,000K	UNV =120-277	EM = Emergency Ballast LTC = Liquid-tite Cord Grip MB = Stainless Steel Mounting Bracket SEN = Occupancy Sensor (Consult Factory for Options) SSC = Stainless Steel Lens Clips PCL = Polycarbonate Lens LPCW = Latch Polycarbonate White



New Horizon Lighting products reduce operating costs while delivering high efficiency lighting. NHL products are built in the USA and are available or through leading national distributors.

New Horizon Lighting
 P 732.833.8086 | F 732.833.8085
 9 Gladney Avenue
 Bayville, NJ 08721
www.newhorizonlighting.com