

NHL-LPT2



LED Decorative Coach Pole Top Light
Power Tunable
30W/50W/60W or 80W/100W/120W
Starting from 3000lm up to 12000Lumens,
Color Tunable 30K/40K/50K Color,Dimmable,
Black,For Commercial Use

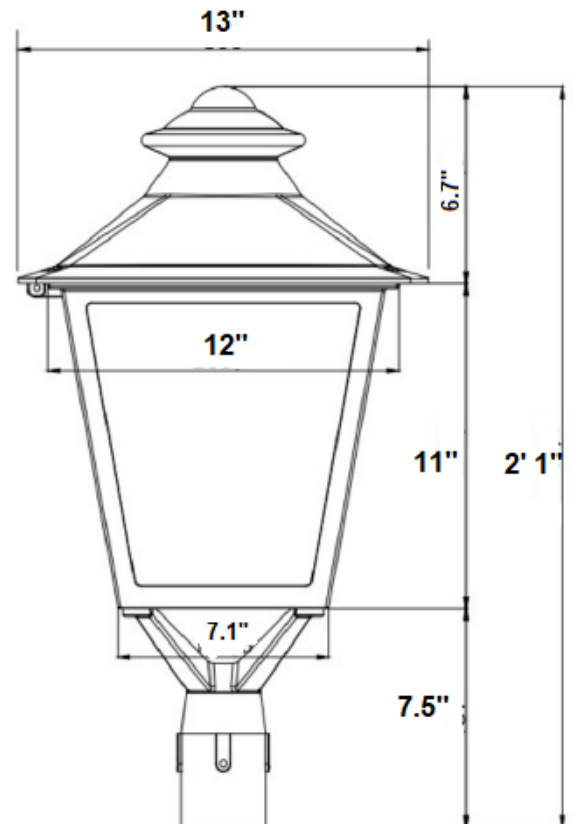
Decorative Coach Pole-Top

DESCRIPTION:

The coach pole top light features an anti-corrosion , electrostatic polyester powder coated heavy duty die-casting aluminum housing for long-lasting durability. Glare free frost glass lens, radiator heat-releasing design and beautiful finished look makes this post top luminaire an excellent choice.

APPLICATION:

Municipality, Pathway , residential community , Perimeter, Pedestrian and Walkway lighting.



NHL-LPT2



SPECIFICATIONS:

General Characteristics

Bulb Shape	Integrated LED
Average Rated Hours	50000
Finish	Black
Average Life Span Years	46
Ingress Protection	IP 65
Dimmable	Yes
Dimming Type	0-10V Low Voltage
Dimming Percentage	0-100%
Material	Aluminum
Lens Material	Glass
Lens Finish	Frosted
Bulb Type	Integrated
Application	Outdoor

Product Data

Pack Size	1
Warranty Years	5

Electrical Characteristics

Watts	Power tunable 60W = 30/50/60 ; 120W = 80/100/120
Volts	UNV =120-277
LED Chip Manufacturer	3030
Power Factor	>0.92
Temperature	-40°F - 104°F

Light Characteristics

Lumens Brightness	3000- 12000
Color Rendering Index CRI	70
Emitted Color	CCT Tunable
Color Temperature Kelvin	CT = 30K/40K/50K
Beam Angle	360°

Fixture Characteristics

Style	Coach
Shape	Square
Number of Lights	1
Max Wattage	120 W
Mounting	Pole
Fixture Technology	LED
Use Location	Outdoor
Photocell Option	PC

Example Model # : NHL-LPT2-60W-CT-UNV-BK-PC