

# NHL-LHBR3-200W-CT-UNV

## ROUND LED HIGH BAY FIXTURE

### DESCRIPTION

Compact Round LED High Bay Fixture | Wet Location Rated

### APPLICATION

Used for commercial and industrial high bay lighting applications



### PRODUCT FEATURES

- Features Power Select technology. Adjust power between 200W, 150W, or 100W
- Features Color Select technology. Adjust CCT between 3000/4000/5000K
- Designed to accept easy screw-in installation of optional sensors
- Powered by 0–10V dimming LED driver
- Ring-bolt mounting accessory included
- 6' cord for input and dimming wires
- Powder-coated aluminum housing; Polycarbonate lens
- Ribbed lens to reduce glare
- Low optical flicker
- Built-in 6kV surge protection
- LED lifetime: L70 >100,000 hours @ 25°C fixture ambient
- Ambient operating temperature: –40°C/–40°F to 50°C/122°F
- IP65 rated, wet location
- Listed on QPL

### PERFORMANCE SPECIFICATIONS

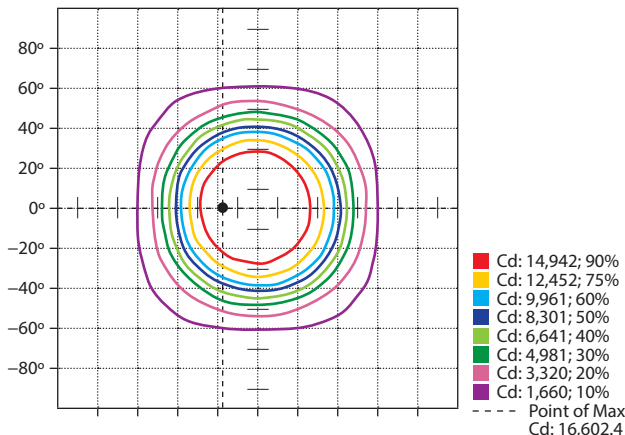
Catalog Number	Input Voltage	Wattage	Color Temperature	Lumen Output	Efficacy	Rated Life	CRI	Power Factor
NHL-LHBR3-200W-CT-UNV	UNV-120–277V	200W	3000K	28,400	142 lm/W	50,000 hrs	> 80	> 0.9
			4000K	33,000	165 lm/W			
			5000K	31,200	156 lm/W			
		150W	3000K	21,450	143 lm/W			
			4000K	24,750	165 lm/W			
			5000K	24,150	161 lm/W			
		100W	3000K	14,800	148 lm/W			
			4000K	16,500	165 lm/W			
			5000K	16,300	163 lm/W			

Note: Preset to highest lumen output (200W /5000K)

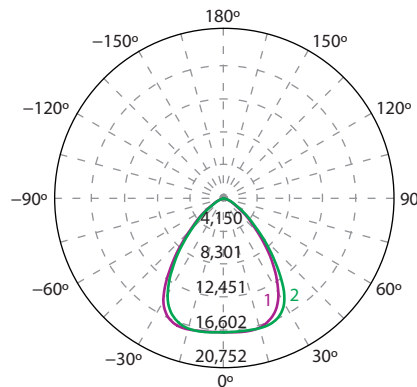
Note: Color uniformity: CCT (Correlated Color Temperature) range as per guidelines outlined in ANSI C78.377-2017

### PHOTOMETRIC SPECIFICATIONS

#### ISOCANDELA PLOT

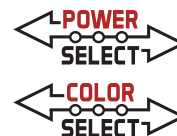


#### POLAR CANDELA DISTRIBUTION



#### ZONAL LUMEN SUMMARY

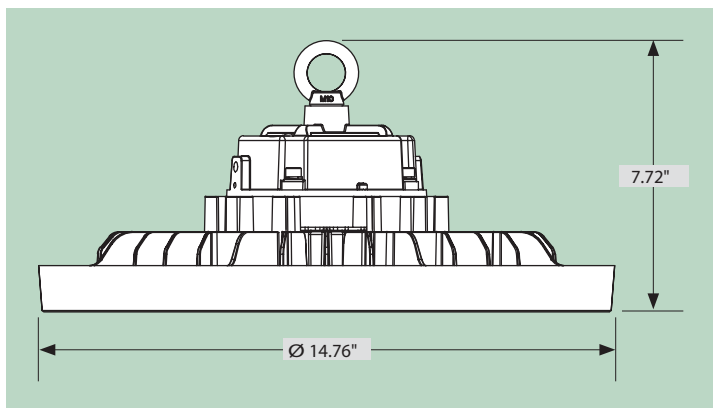
Zone	Lumens	% Luminaire
0–30	13,328.7	44.2%
0–40	20,615.9	68.4%
0–60	28,188.7	93.6%
60–90	1,897.0	6.3%
70–100	612.8	2.0%
90–120	0.2	0%
0–90	30,085.7	99.8%
90–180	45.2	0.2%
0–180	30,130.9	100%



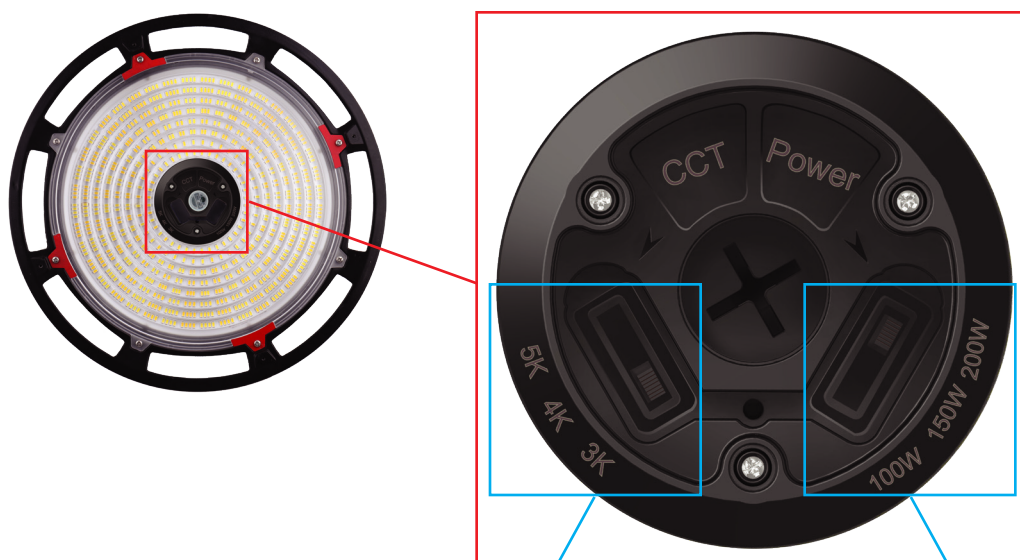
# NHL-LHBR3-200W-CT-UNV

## ROUND LED HIGH BAY FIXTURE

### PHYSICAL SPECIFICATIONS

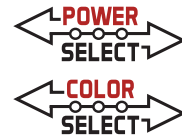


### POWER SELECTION AND COLOR TEMPERATURE SELECTION CAPABILITY



COLOR SELECT TECHNOLOGY Adjust CCT between 3000K, 4000K, or 5000K

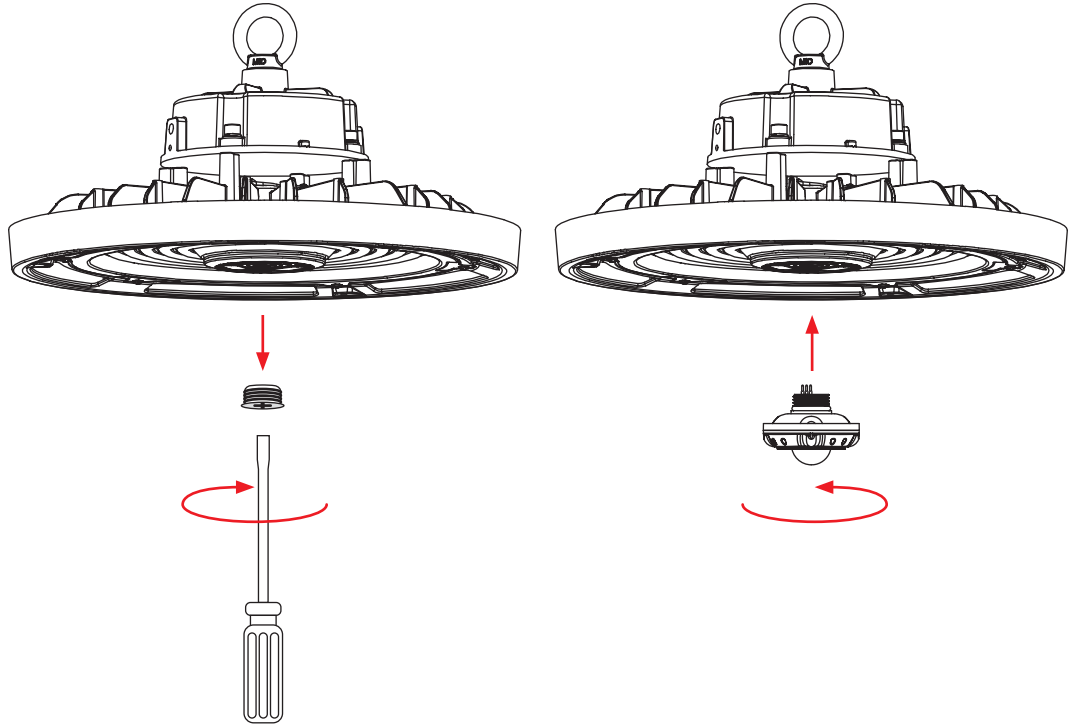
POWER SELECT TECHNOLOGY Adjust power between 200W, 150W, or 100W

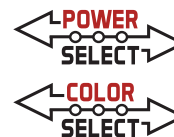


## NHL-LHBR3-200W-CT-UNV ROUND LED HIGH BAY FIXTURE

### QUICK-INSTALL

1. Ensure power is off to the fixture.
2. Remove 1/2" knock-out (KO) plug.
3. Screw in sensor head.  
(see illustrations)
4. Re-connect power when ready.
5. Program desired settings as needed with a Remote Control.






# NHL-LHBR3-200W-CT-UNV

## ROUND LED HIGH BAY FIXTURE

**ACCESSORIES (continued)**

**SENSORS**

Factory-Installable OR Field-Installable (field-installable purchased separately)

✓	SUFFIX*	CATALOG NUMBER	DESCRIPTION
	/FC3	NHL-FC3-12V-PKO-PIR	Bluetooth mesh screw-in PIR occupancy sensor with built-in fixture controller for SmartLoop system 
	/PIR-A	NHL-PIR3-12V-PKO /A	Screw-in PIR sensor, preset for 1 min hold time, 3 min standby time at 30% dim, daylight disabled
	/PIR-B	NHL-PIR3-12V-PKO /B	Screw-in PIR sensor, preset for 5 min hold time, 10 min standby time at 10% dim, daylight disabled
	/MW3-A	NHL-MW3-12V-PKO /A	Screw-in microwave sensor, preset for 1 min hold time, 3 min standby time at 30% dim, daylight disabled
	/MW3-B	NHL-MW3-12V-PKO /B	Screw-in microwave sensor, preset for 5 min hold time, 10 min standby time at 10% dim, daylight disabled

\* For factory installation of accessory, add suffix to fixture part number (see ordering examples and instructions on last page of spec sheet).



Field-Installable / Field-Use ONLY (purchased separately)

CATALOG NUMBER	DESCRIPTION
NHL-MW3-REMOTECONTROL	Remote control for KTS-MW3-12V-PKO /A or /B and KTS-PIR3-12V-PKO /A or /B sensors, used to set and adjust all sensor settings

**CORD SETS & PLUGS**

Factory-Installable OR Field-Installable (field-installable purchased separately)

✓	SUFFIX*	CATALOG NUMBER	DESCRIPTION
	/L515P	NHL-P-L515P	125V NEMA L5-15P twist lock plug
	/L615P	NHL-P-L615P	250V NEMA L6-15P twist lock plug
	/L715P	NHL-P-L715P	277V NEMA L7-15P twist lock plug

\* For factory installation of accessory, add suffix to fixture part number (see ordering examples and instructions on last page of spec sheet).  
 Note: For cord sets not listed here, please contact your Keystone sales rep.

**EMERGENCY BACKUP**

Factory-Installable OR Field-Installable (field-installable purchased separately)

✓	SUFFIX*	CATALOG NUMBER	DESCRIPTION
	/EM	NHL-LHBR3-EM	One Piece 40W Constant Wattage Design with Self Diagnostics. Approx 5000 lumens, Single Flex Cable with Included J-Box, 120-277V Input. CEC T20 Compliant.

\* For factory installation of accessory, add suffix to fixture part number (see ordering examples and instructions on last page of spec sheet).  
 † Factory installation of emergency backup units will automatically include any relevant mounting bracket.

(Accessories continued on next page)



# NHL-LHBR3-200W-CT-UNV

## ROUND LED HIGH BAY FIXTURE

**ACCESSORIES (continued)**

**MOUNTS AND BRACKETS**

Factory-Installable OR Field-Installable (field-installable purchased separately)

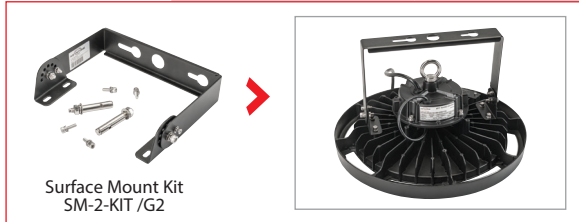
	SUFFIX*	CATALOG NUMBER	DESCRIPTION
✓	/WG	NHL-LHBR3-WG	Thick steel wire guard, premium powdercoat construction, includes mounting hardware, fits all "14C" sized high bay fixtures



*\* For factory installation of accessory, add suffix to fixture part number (see ordering examples and instructions on last page of spec sheet).*

Field-Installable / Field-Use ONLY (purchased separately)

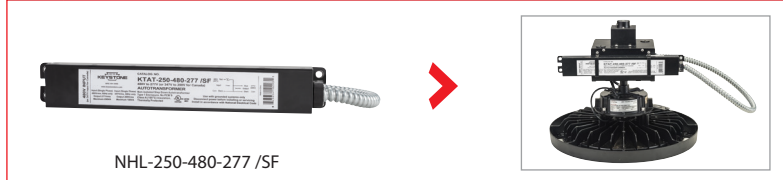
CATALOG NUMBER	DESCRIPTION
SM-2-KIT /G2	Steel surface mount kit, includes mounting hardware, fits all "14C" sized high bay fixtures
JBOX-PM /G2	J-Box, optimized for pole pendant and step down transformer applications, fits all round LED high bay fixtures
AR90-2-KIT /G2	Aluminum dome reflector, 90 beam angle, includes mounting hardware, fits all "14C" sized high bay fixtures
CL90-2-KIT /G2	Clear polycarbonate dome reflector with bottom lens, 90 beam angle, includes mounting hardware, fits all "14C" sized high bay fixtures



**STEP DOWN TRANSFORMER**

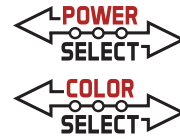
Factory-Installable OR Field-Installable (field-installable purchased separately)

	SUFFIX*	CATALOG NUMBER	DESCRIPTION
✓	/480	NHL-LHBR3-480V	Fully enclosed, single flex step-down transformer for LED high bay fixtures (250VA or lower)



(Accessories continued on next page)

*\* Includes NHL-JBOX-PM /G2 mounting accessory. Suitable for hanging installation only, no pendant, with 480V Step Down Transformer installed.*



# NHL-LHBR3-200W-CT-UNV ROUND LED HIGH BAY FIXTURE

**ORDERING INFORMATION**

ORDER CODE	PACK QTY.
NHL-LHBR3-200W-CT-UNV	1

**CATALOG NUMBER BREAKDOWN**

## NHL-LHBR3-200W-CT-UNV

1	2	3	4	5	6
1 New Horizon Lighting	2 Fixture Type	3 Wattage	4 Color Selectable	5 Voltage	6 Housing Color
	Size /Shape	Fixture Type	Housing Color	Color Select Designation	Dimming
	14" Diameter	Round High Bay	Blank	3000K, 4000K, 5000K	0-10V
	Black		W		
	White				

Note: All accessories can also be ordered separately for field installation using just their regular Catalog Number.