

# NHL-LHBF3

Sensor Ready Linear High Bay  
Lumen & Kelvin Selectable



Project:	
Type:	
Catalog #:	

## STANDARD



## FEATURES

- Field selectable 4000k (neutral white) and 5000k (cool white) color temperatures.
- Patent-safe LEDs provide at least 134,000 hours of operation with at least 70% of initial lumen output (L<sub>70</sub>), and 40,000 hours with at least 90% of initial lumen output (L<sub>90</sub>).\*
- Tri-lumen selectable delivers 12,000 to 60,000 luminaire lumens (see lumen table on page 3).
- Screw in sensor ready (sensor sold separately).
- Emergency driver option available.
- Medium distribution is standard with optional narrow or wide distribution lenses.
- Universal 120-277V AC voltage (50-60Hz) is standard. 347-480V achieved with step-down transformers is optional.
- 0-10vdc dimming drivers are standard.
- Power factor > 0.90.
- Total harmonic distortion < 20%.
- Color rendering index > 80.
- Painted steel housing (stamped) and polycarbonate lenses are standard.
- Wire-guards available.

\*L<sub>70</sub> & L<sub>90</sub> hours are IES TM-21-11 calculated hours.

## ORDERING INFORMATION

Example: NHL-LHBF3-160W-CT-UNV-DLR/OL-EM

Series	Nominal Lumen Output (Selectable)		Kelvin Selectable	Input Voltage <sup>1</sup>		Lens Distribution			Emergency Driver	
				UNV	120- 277	ND	Narrow	EM	Emergency Driver *	
LHBF3	125W	18,000/15,000/12,000	CT	480V *	347- 480V	WD	Wide	Blank		No emergency driver
	160W	24,000/18,000/15,000		Blank	Medium					
	245W	36,000/30,000/24,000								
	415W	60,000/48,000/36,000								



## WARRANTY & LISTINGS

- cULus listed for damp locations in ambient temperatures from -40°C to 50°C (-40°F to 122°F). HBLSR-181512L-4K5K = 55°C (131°F).
- Input transient surge protection = 6kV. \*
- Complies with FCC Part 15, class A.
- 5-year warranty on all electronics and housing.

\*\*

## MOUNTING OPTIONS

- Chain-mount kit (includes v-hooks and 1-meter-long chain) are standard.
- Optional pendant mounting kit provides pendant attachment to ½" rigid conduit.
- Optional surface mounting kit provides attachment to solid surfaces.
- Optional cable mount kit provides luminaire suspension.

## DIMENSIONS

Model	Size (inches)		
	L	W	H
NHL-LHBF3-125W-CT-UNV-DLR/OL	16.5	10.25	1.8
NHL-LHBF3-160W-CT-UNV-DLR-OL	23	10.25	1.8
NHL-LHBF3-245W-CT-UNV-DLR-OL	31	10.25	1.8
NHL-LHBF3-415W-CT-UNV-DLR/OL	44	10.25	1.8

\*480V option not compatible with emergency driver.

### ELECTRICAL DATA

Series	Measurements	Low Lumens		Mid Lumens		High Lumens	
		4000K	5000K	4000K	5000K	4000K	5000K
<b>NHL-LHBF3-125W-CT-UNV-DLR/OL</b>	Lumens	12,007	12,307	14,555	15,071	18,085	18,421
	Watts	76	77	96	98	120	123
	Efficacy	158	159	152	154	150	150
	Input Current (A)	120V = 0.63A	120V = 0.64A	120V = 0.80A	120V = 0.82A	120V = 1.00A	120V = 1.03A
240V = 0.32A		240V = 0.32A	240V = 0.40A	240V = 0.41A	240V = 0.50A	240V = 0.51A	
277V = 0.27A		277V = 0.28A	277V = 0.35A	277V = 0.35A	277V = 0.43A	277V = 0.44A	

Series	Measurements	Low Lumens		Mid Lumens		High Lumens	
		4000K	5000K	4000K	5000K	4000K	5000K
<b>NHL-LHBF3-160W-CT-UNV-DLR/OL</b>	Lumens	15,021	15,557	18,017	18,477	24,047	24,241
	Watts	94	96	115	117	158	158
	Efficacy	159	162	157	158	152	153
	Input Current (A)	120V = 0.78A	120V = 0.80A	120V = 0.96A	120V = 0.98A	120V = 1.32A	120V = 1.32A
240V = 0.39A		240V = 0.40A	240V = 0.48A	240V = 0.49A	240V = 0.66A	240V = 0.66A	
277V = 0.34A		277V = 0.35A	277V = 0.42A	277V = 0.42A	277V = 0.57A	277V = 0.57A	

Series	Measurements	Low Lumens		Mid Lumens		High Lumens	
		4000K	5000K	4000K	5000K	4000K	5000K
<b>NHL-LHBF3-245W-CT-DLR/OL</b>	Lumens	24,049	24,854	30,037	30,299	35,517	36,076
	Watts	152	155	193	197	237	242
	Efficacy	158	160	156	154	150	149
	Input Current (A)	120V = 1.27A	120V = 1.29A	120V = 1.61A	120V = 1.64A	120V = 1.98A	120V = 2.02A
240V = 0.63A		240V = 0.65A	240V = 0.80A	240V = 0.82A	240V = 0.99A	240V = 1.01A	
277V = 0.55A		277V = 0.56A	277V = 0.70A	277V = 0.71A	277V = 0.86A	277V = 0.87A	

### ELECTRICAL DATA

Series	Measurements	Low Lumens		Mid Lumens		High Lumens	
		4000K	5000K	4000K	5000K	4000K	5000K
NHL-LHBF3-415W-CT-UNV-DLR/OL	Lumens	37,049	38,465	48,182	49,009	60,104	61,319
	Watts	236	241	312	317	404	412
	Efficacy	157	160	154	155	149	149
	Input Current (A)	120V = 1.97A	120V = 2.01A	120V = 2.60A	120V = 2.64A	120V = 3.37A	120V = 3.43A
240V = 0.98A		240V = 1.00A	240V = 1.30A	240V = 1.32A	240V = 1.68A	240V = 1.72A	
277V = 0.85A		277V = 0.87A	277V = 1.13A	277V = 1.14A	277V = 1.46A	277V = 1.49A	

### PHOTOMETRIC DATA

#### NHL-LHBF3-125W-CT-UNV-DLR/OL

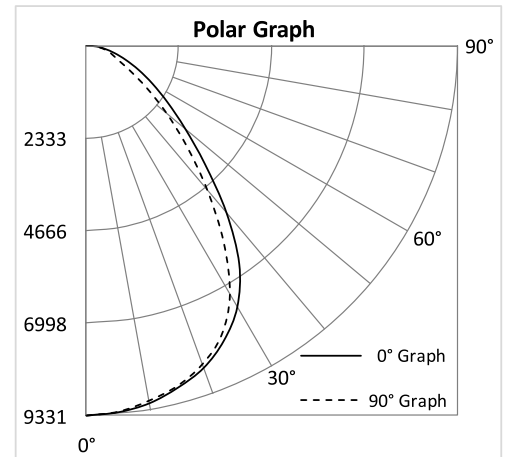
##### Luminaire Data

Description	Linear High Bay Lumen/Kelvin Selectable
Total Lumens	18,423
Input Wattage	123
Efficacy (lm/W)	150
Spacing Criterion (0-180°)	1.22
Spacing Criterion (90-270°)	1.18

Photometrics calculated at 5000k - high lumens setting

##### Zonal Lumen Summary

Zone	Lumens	%Fixt
0-20°	3,402	18.5%
0-30°	7,155	38.8%
0-40°	11,161	60.6%
20-50°	10,840	58.8%
40-70°	6,281	34.1%
0-60°	16,247	88.2%
0-80°	18,156	98.6%
0-90°	18,423	100.0%
90-180°	0	0.0%
0-180°	18,423	100.0%



#### NHL-LHBF3-160W-CT-UNV-DLR-OL

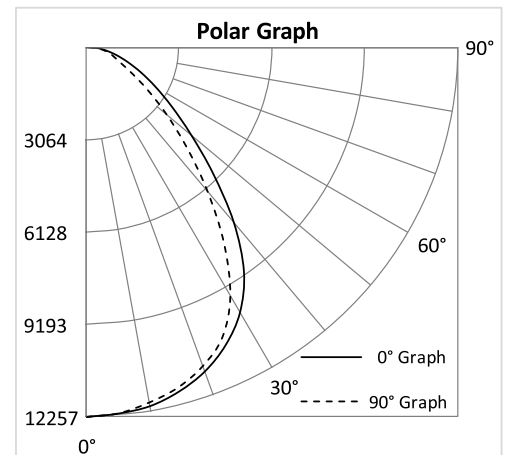
##### Luminaire Data

Description	Linear High Bay Lumen/Kelvin Selectable
Total Lumens	24,269
Input Wattage	158
Efficacy (lm/W)	153
Spacing Criterion (0-180°)	1.24
Spacing Criterion (90-270°)	1.18

Photometrics calculated at 5000k - high lumens setting

##### Zonal Lumen Summary

Zone	Lumens	%Fixt
0-20°	4,468	18.4%
0-30°	9,398	38.7%
0-40°	14,661	60.4%
20-50°	14,249	58.7%
40-70°	8,283	34.1%
0-60°	21,353	88.0%
0-80°	23,902	98.5%
0-90°	24,269	100.0%
90-180°	0	0.0%
0-180°	24,269	100.0%



### PHOTOMETRIC DATA

#### NHL-LHBF3-245W-CT-UNV-DLR-OL

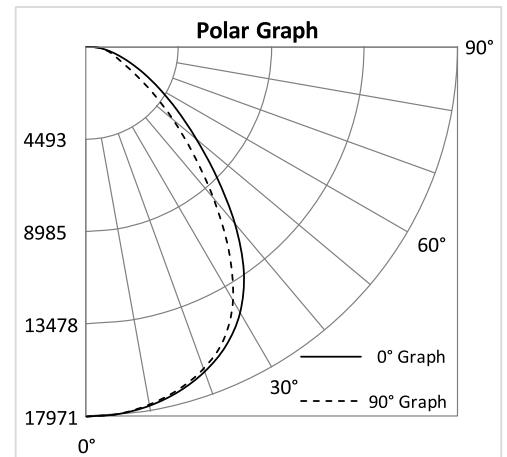
##### Luminaire Data

Description	Linear High Bay Lumen/Kelvin Selectable
Total Lumens	36,087
Input Wattage	242
Efficacy (lm/W)	149
Spacing Criterion (0-180°)	1.24
Spacing Criterion (90-270°)	1.18

Photometrics calculated at  
5000k - high lumens setting

##### Zonal Lumen Summary

Zone	Lumens	%Fixt
0-20°	6,560	18.2%
0-30°	13,802	38.2%
0-40°	21,585	59.8%
20-50°	21,143	58.6%
40-70°	12,526	34.7%
0-60°	31,718	87.9%
0-80°	35,540	98.5%
0-90°	36,087	100.0%
90-180°	0	0.0%
0-180°	36,087	100.0%



#### NHL-LHBF3-415W-CT-UNV-DLR/OL

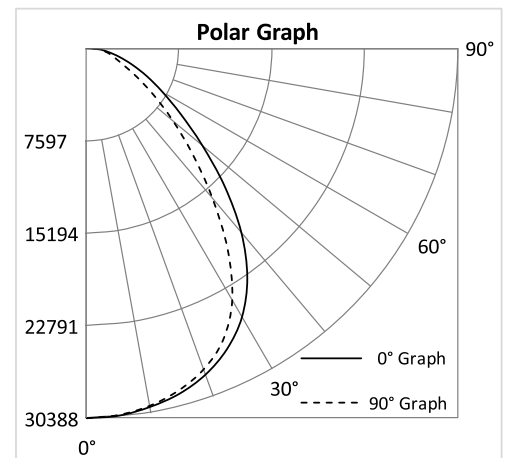
##### Luminaire Data

Description	Linear High Bay Lumen/Kelvin Selectable
Total Lumens	61,323
Input Wattage	412
Efficacy (lm/W)	149
Spacing Criterion (0-180°)	1.24
Spacing Criterion (90-270°)	1.18

Photometrics calculated at  
5000k - high lumens setting

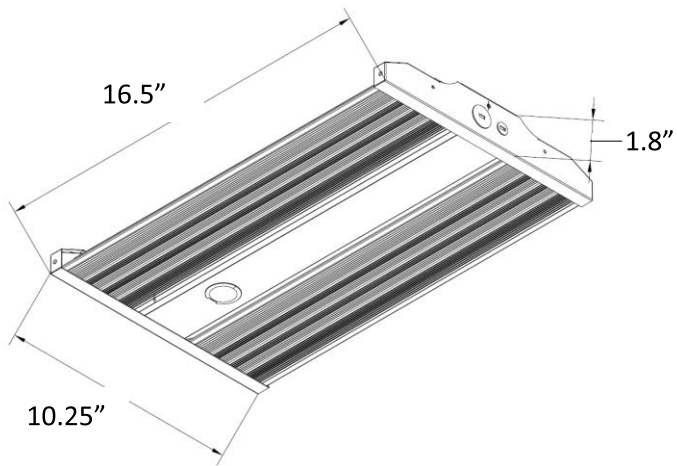
##### Zonal Lumen Summary

Zone	Lumens	%Fixt
0-20°	11,100	18.1%
0-30°	23,335	38.1%
0-40°	36,491	59.5%
20-50°	35,901	58.5%
40-70°	21,535	35.1%
0-60°	53,908	87.9%
0-80°	60,446	98.6%
0-90°	61,323	100.0%
90-180°	0	0.0%
0-180°	61,323	100.0%

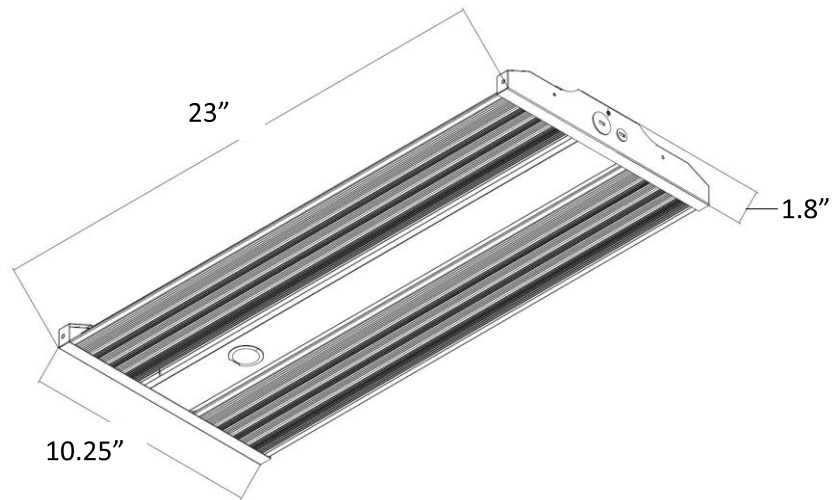


## DIMENSIONAL DRAWINGS

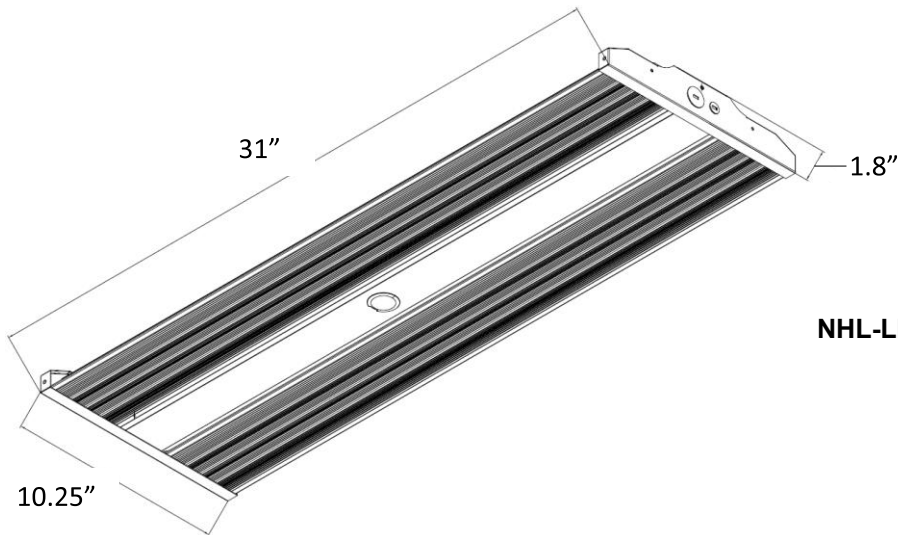
NHL-LHBF3-125W-CT-UNV-DLR/OL



NHL-LHBF3-160W-CT-UNV-DLR-OL



NHL-LHBF3-245W-CT-UNV-DLR-OL



NHL-LHBF3-415W-CT-UNV-DLR/OL

