

NHL-LB1 LED 52"

Architectural Indoor



PROJECT:	
TYPE:	
PO#:	QTY:
COMMENTS:	

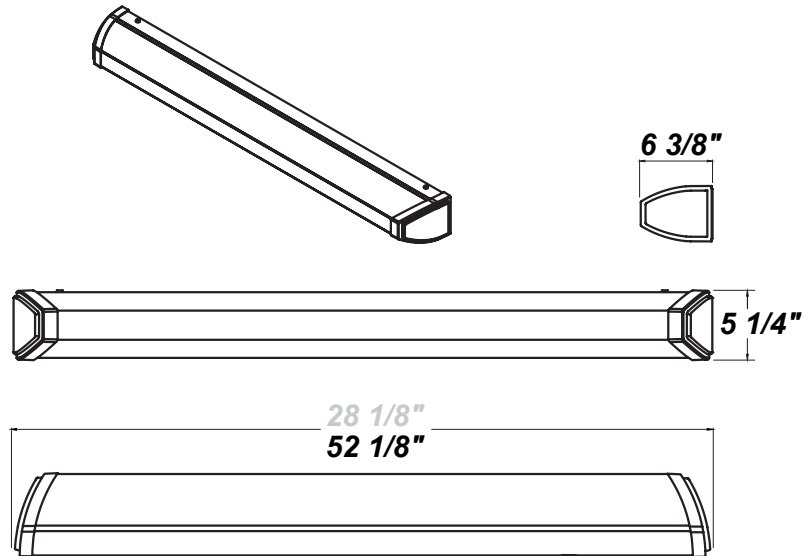
FEATURES

- Steel Housing w/ White Powder Coat Finish
- Steel Mounting Pan w/ Hi-Reflectance White Powder Coat Finish
- White Acrylic / DR Extruded Diffuser w/ Matte Silver Finished End Caps And Silver / White Decorative Center Trim
- Up / Down Lighting Option Available
- Mounts Directly to Surface w/ Two Wall Anchors (Not Included)
- 0-10V and Leading Edge (ELV) Dimming Compatible Options Available
- CSA Listed Dry Location For Wall Mount Only
- Emergency Battery Available
- LED Light Fixture



LINE DRAWING

LINE DRAWING NOT TO SCALE



FINISHES

NHL-LB1 LED 52"

Architectural Indoor



Fixture Core

PROJECT:	
TYPE:	
PO#:	QTY:
COMMENTS:	

PRODUCT CODE	SOURCE/WATTAGE	VOLTAGE	DIMMING DRIVER
NHL-LBL1 - 52"	L69.4-TE950 - 80W @ 950mA ELV Dimming Driver L69.4-ZE1900 - 69.4W @ 1900mA 0-10V Dimming Driver	UNV=120V-277V (50 / 60Hz)	Not Applicable
ORDER INFO			
NHL-LBL1 Example ^	L69.4-TE950	UNV	Not Applicable

Aesthetics & Options

TRIM	FINISH	COLOR TEMP	OPTIONS
Not Applicable	BNW - Brushed Nickel End Caps w/ Nickel And White Center Trim (Standard) WSW - White End Caps w/ Solid White Center Trim	27K - 2700K Color Temp 30K - 3000K Color Temp 35K - 3500K Color Temp 40K - 4000K Color Temp 50K - 5000K Color Temp	2SW - 2-Position Switch w/ Pull Chain (On-Off) (120V Only) CO - Convenience Outlet (120V Only) DIV - Internal Divider EB - 12W Integral EM Battery (120V and 277V Only) F - Fused (120V and 277V Only) MSW - Multi-Level Switching 4-Position Switch w/ Pull Chain (120V Only) NLT - 9.4W LED Night Light (DIV option required)(120V and 277V Only)
ORDER INFO			
Not Applicable Example ^	BNW	27K	2SW

PROD	SOURCE	30K SPECS				
NHL-LBL1 52"	L69.4	<ul style="list-style-type: none"> 30K - 3000K Color Temp 10301 LED Source Lumens 115.7 LED Source Lumens Per Watt 				

REPLACEMENT PART	PART NO	NOTES
4' White Acrylic Diffuser w/ White / Brushed Nickel Trim	3057319	
4' White Acrylic Diffuser w/ Solid White Trim	3057360	
		Don't see the configuration you are looking for? Call us today at (732) 833-8086