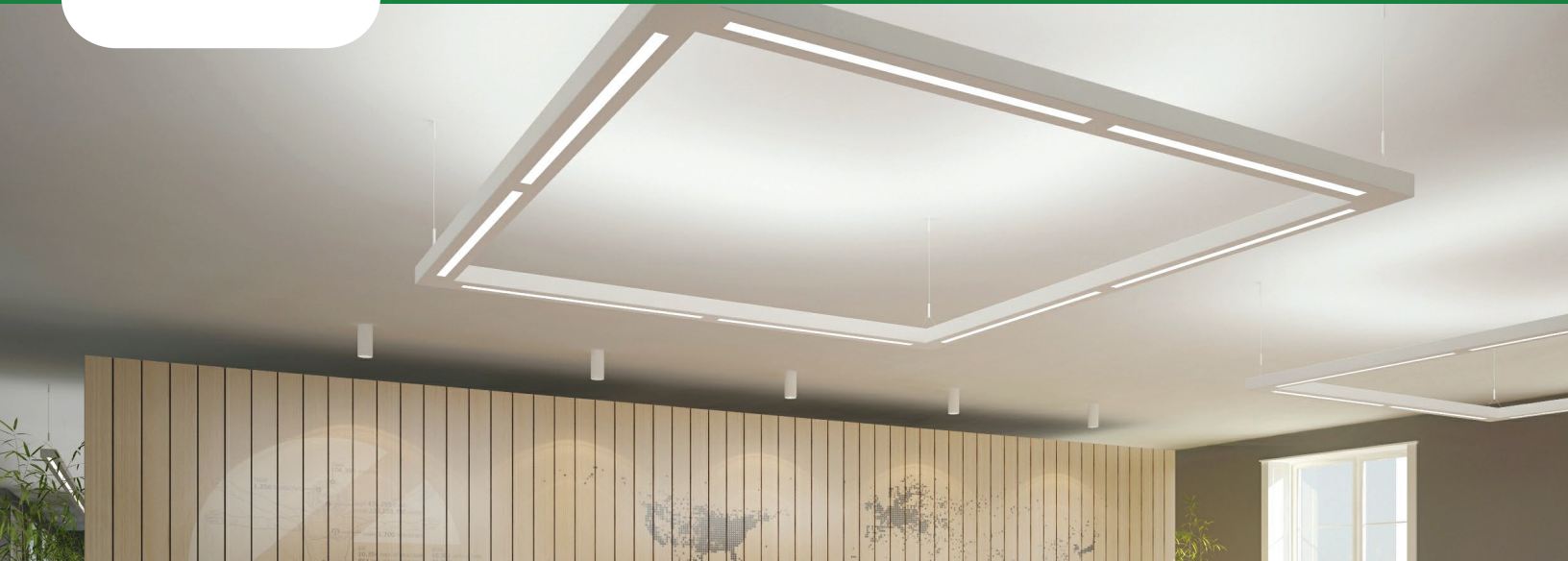




NHL-L500

Linear Pendant



DESCRIPTION

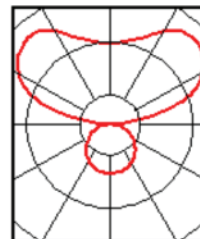
The NHL-L500 low-profile luminaire is available in both lensed and ambient body styles. Configured for either individual or continuous runs, the NHL-L500 LED series provides a modern, sleek design for those wanting functionality and a visually unique look. This series is perfect for applications specifying well-designed, versatile lighting.

SPECIFICATIONS

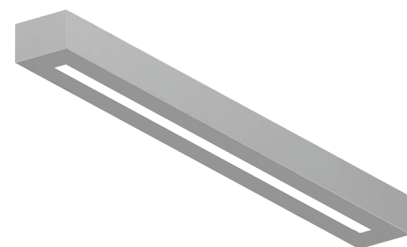
Housing:	20 gauge cold-rolled steel construction
Lengths:	4' and 8' fixtures that can also be joined for continuous rows
Finish:	Durable, low gloss, textured powder coated finish
End Caps:	Flat end cap provides a clean finish
Approvals:	UL/CUL
LED Engine:	Dimming driver and LED board combination
Optional Drivers:	Lutron, Osram, EldoLED and other options available
Distribution:	Standard 90/10 with optional distributions available
Optic:	Available in Lens or ambient
Output Package:	Super saver, high output, and very high output lumen levels available
Sensor:	Optional integrated daylight or occupancy sensors
LED Color:	Available color temperatures of 3000k, 3500k, 4000k, and 5000k
Mounting:	Aircraft grade cable with fully adjustable yoke mount
Ceiling Type:	T-bar or hard ceiling mounting kits available
Battery:	Optional 12 watt constant power emergency battery
CRI:	82+
I.E.S. Data:	Available upon request
Warranty:	5-Year limited warranty

PHOTOMETRICS

* Measurements based on High level output



90/10 – Standard
5712 lumens
90% up - 10% down
116 lm/W



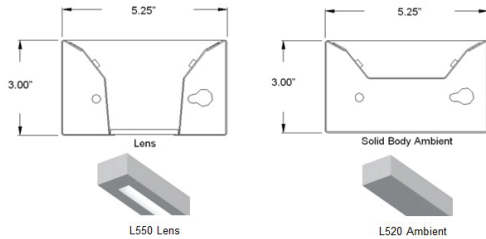


FIXTURE OPTIONS

Ordering Example: NHL-L500-4-30-120-HO-WHT-FF

FIXTURE SERIES	LENGTH	LED COLOR	VOLTAGE	OUTPUT	EMERGENCY CIRCUIT	FINISH	INTEGRATED SENSOR	OPTIONS
NHL-L550 Lens	4	30 3000k	UNV 120-277v	SS Super Saver	Blank None	WHT	Blank None	Blank None
NHL-L520 Ambient Body	8	35 3500k	120	HO High Output	EF Separate individual emergency feed	* Consult factory for custom colors	DAY Daylight	FF Fast blow fuse
		40 4000k	277	VHO Very High Output	EHF Emergency through wiring with separate feed		OCC Occupancy	FS Slow blow fuse
		50 5000k	347		EHS Emergency through wiring single feed with shared neutral			EM Emergency battery
							* Consult factory for Lutron, ELdoLED, Osram, or other drivers	

* END CAP KIT: 500-FEP-WHT (One kit required per fixture run)

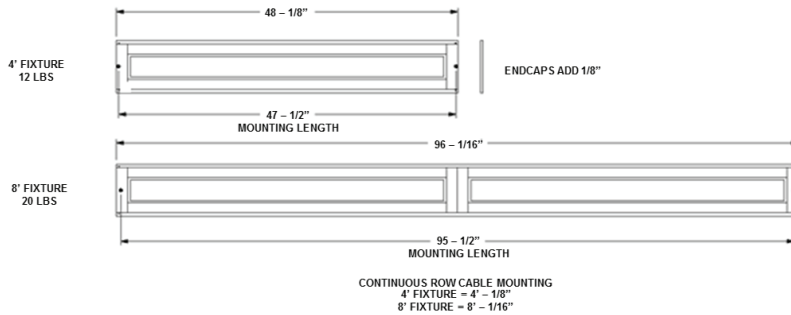


L550

4' Output Package	Lumens	Watts	Lumens/Watt
Super Saver (SS)	4975	41.5	120
High (HO)	5712	49	116
Very High (VHO)	7309	67	109

* Based on 4000k

MOUNTING SUPPORT LENGTHS & FIXTURE WEIGHTS



HARDWARE ORDERING EXAMPLE: SFD-Y-15C-FA-36

PREFIX	FIXTURE ATTACHMENT	CEILING TYPE	SUSPENSION	SUSPENSION LENGTH
SFD	Single circuit feed dimmable	HC Hard ceiling	FA Fully assembled	18 24" adjustable cable
ECF	Emergency circuit feed	SC Screw set clip		24 30" adjustable cable
NP	Non-power feed	15C 15/16" tee clip		36 42" adjustable cable
	(consult factory for variations)	9C 9/16" tee clip		72 78" adjustable cable
				144 150" adjustable cable

KIT CONTENTS

- Support clips for T-bar, OR straps for J-box, with threaded stud for cable connection
- One white canopy
- Aircraft cable
- Feed cord (except non-feed hangers)
- Fixture attachment hardware

MOUNTING TYPES

