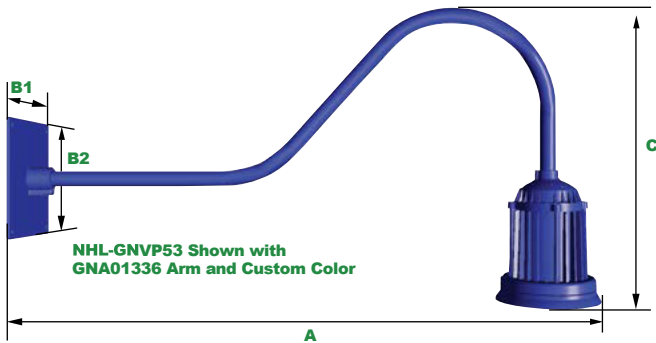


NHL-GNVP53 Vaporproof Gooseneck Arm



The NHL-GNVP53 Vaporproof Gooseneck LEDlight luminaire is available with 5 Gooseneck arms of various lengths and is designed to replace HID lighting systems up to 175w MH or HPS. This vapor resistant fixture can withstand extreme physical and environmental abuse and is ideal for retail centers, industrial parks, schools and universities, public transit and airports, office buildings and medical facilities. Designed for architectural wall mounting up to heights of 20 feet based on light level and uniformity requirements.

VP53Q Specifications and Features:

Housing:

Heavy Duty Die Cast Aluminum Housing with Integral Heat Sinking, 3/4" NPS Threaded Mount.

Listing & Ratings:

CSA: Listed for Wet Locations, ANSI/UL 1598, 8750
IP66 Sealed LED Compartment.

Finish:

Powdercoat Finish Over a Chromate Conversion Coating. Custom Colors Available Upon Request.

Lens:

Flat Clear Tempered Glass Lens

Mounting:

Fixed Mount or Adjustable Swivel with 3/4" NPS Threads.

EasyLED LED:

Aluminum Boards

Wattage:

Array: 23w, System: 27w (175w HID Equivalent)

Driver:

Electronic Driver, 120-277V, 50/60Hz; Less Than 20% THD and PF>0.90. Standard Internal Surge Protection 2kV, 0-10V Dimming Standard for a Dimming Range of 100% to 10%; Dimming Source Current is 150 Microamps.

Warranty:

5-Year Warranty for -40°C to +50°C Environment.

See Page 3 for Projected Lumen Maintenance Table.

Dimensions

Base Length (B1)	8" (203mm)
Base Height (B2)	8" (203mm)
Length (A)	39 1/2" (1003mm)
Height (C)	24" (606mm)

**See Page 2 for
Fixture and Arm
Dimensions**

Step 1: Select NHL-GNVP53

**L70
25°C** **187,000 Hours**

Order Information Example:

NHL-GNVP53-F-23W-50K-UNV-C-GNS-DF

NHL-GNVP53	F	23		U			
Model	Optics	Wattage	CCT	Voltage	Color	Mounting	Options
NHL-GNVP53= Pendant Mount Vaporproof	F=Type V	23W=23w	40K=4000K 50K=5000K	UNV= 120-277V	B=Black, RAL9011 P=Platinum, RAL9006 R=Red, RAL3020 W=White, RAL9016 CC=Custom (Consult Factory)	GNF=Fixed Downlight, Includes 72" of Wire for Arm Feed Through to Wall Box GNS=Adjustable Swivel Includes 72" of Wire for Arm Feed Through to Wall Box	SF=Single Fuse DF=Double Fuse

Step 2: Select Arm

Order Information Example:

GNA01336CS

Model	Length	Color	Mounting
GNA013 - Classic Hook	36=36" 30=30"	B=Black, RAL9011 P=Platinum, RAL9006 R=Red, RAL3020 W=White, RAL9016 CC=Custom (Consult Factory)	S=Square Oversized Wall Mount R=Round Wall Mount N=No Wall Mount
GNA023 - Straight	30=30" 24=24" 18=18" 12=12"		
GNA033 - Straight Offset	30=30" 24=24"		
GNA043 - Straight Rise	30=30"		
GNA053 - Round Hook	30=30" 24=24" 18=18"		

Gooseneck Arm Specifications and Features:

Construction:

Heavy-Duty 3/4" Aluminum Arms with 3/4" NPS Threads on Fixture Mounting End.

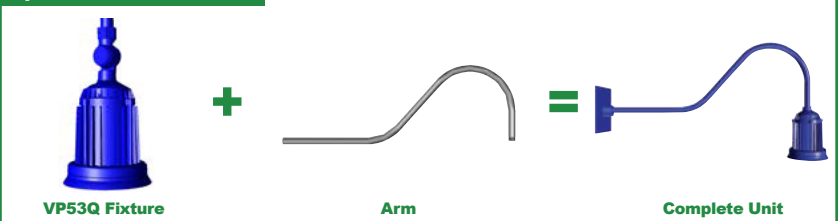
Finish:

Powdercoat Finish Over a Chromate Conversion Coating. Custom Colors Available Upon Request.

Mounting Options:

Mount with 3/4" Square or Round Mounting Plates.

Specification Guide:



Project Information:

Project Name:

Fixture Type:

Complete Catalog #:

Date:

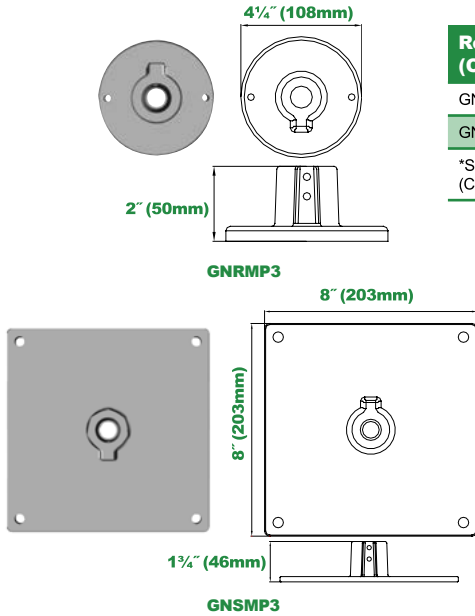
Comments:

Certification & Listings:



Specifications subject to change without notice. Rev. 060418

Wall Plate Dimensions



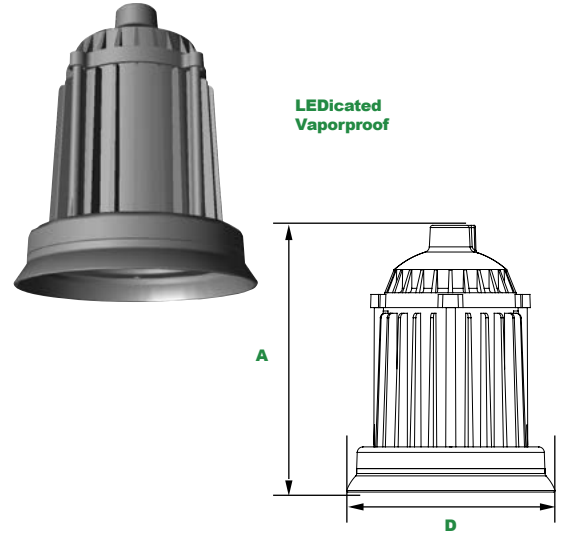
Replacement Wall Plates (Order separately, Field installed)

GNRMP3* Round Wall Mount Plate, Powdercoat Finish.

GNSMP3* Square Oversized Wall Mount Plate, Powdercoat Finish.

*Specify Color: B=Black, P=Platinum, R=Red, W=White, C=Custom (Consult Factory)

VP53Q Dimensions

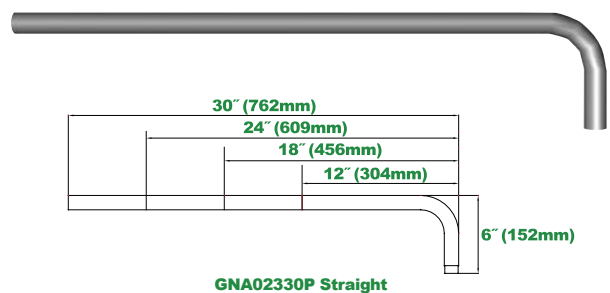
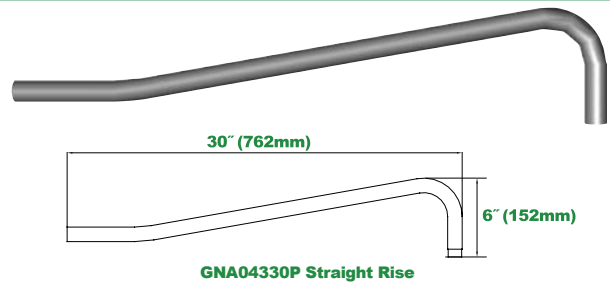
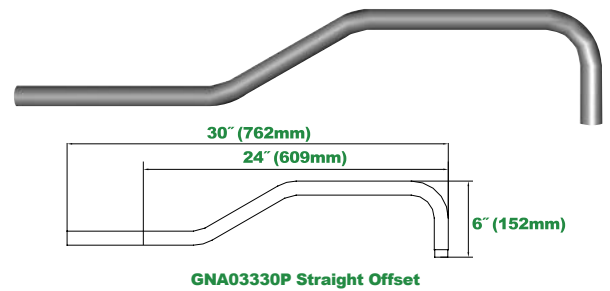
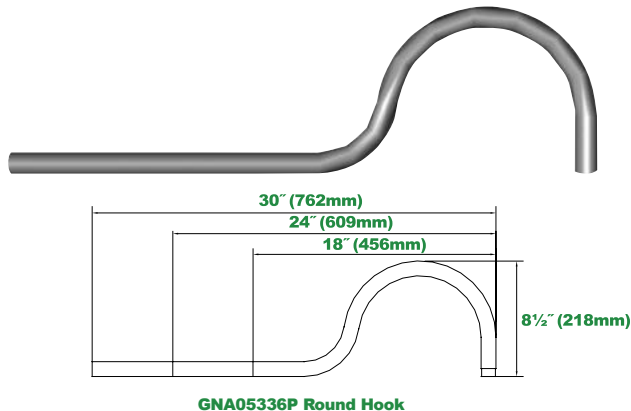
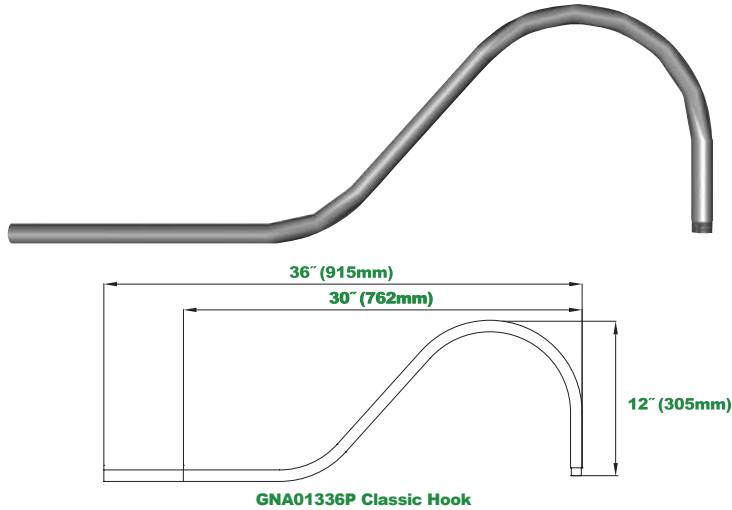


Dimensions

Diameter (D) 7 1/4" (184mm)

Height (A) 9 1/4" (235mm)

Gooseneck Dimensions



Specifications subject to change without notice.

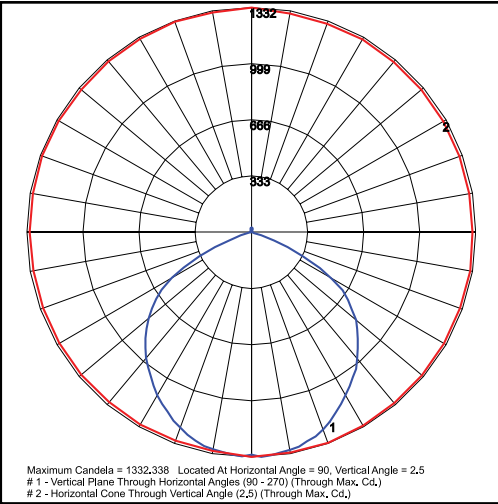
Rev. 101717



Gooseneck LEDlights

NHL-GNVP53 Vaporproof with Gooseneck Arm

Photometric Data



NHL-GNVP53-F-23W-50K-UNV
 Type V

Grid in MH
 MH=10 Feet

Photometric Performance

LED Board Watts	Drive Current (mA)	Input Watts	Optics	5000 CCT 80 CRI					4100 CCT 80 CRI				
				Lumens	LPW	B	U	G	Lumens	LPW	B	U	G
LED 23w	116	27	Type V	3,385	125	2	2	0	3,097	115	1	2	0

Projected Lumen Maintenance

Data shown for 5000 CCT			Compare to MH				
TM-21-11	Input Watts	Initial	25,000 Hrs	50,000 Hrs	100,000 Hrs	Calculated L70@ 25°C	
L70 Lumen Maintenance @ 25°C / 77°F	27	1.00	0.96	0.92	0.84	187,000	
TM-21-11	Input Watts	Initial	25,000 Hrs	50,000 Hrs	100,000 Hrs	Calculated L70@ 50°C	
L70 Lumen Maintenance @ 50°C / 122°F	27	1.00	0.93	0.86	0.72	107,000	
TM-21-11	Input Watts	Initial	25,000 Hrs	50,000 Hrs	100,000 Hrs	Calculated L80@ 40°C	
L80 Lumen Maintenance @ 40°C / 104°F	27	1.00	0.94	0.88	0.76	82,000	

NOTES:

1. Projected per IESNA TM-21-11. Data references the extrapolated performance projections for the 116mA base model in a 25°C ambient, based on 10,000 hours of LED testing per IESNA LM-80-08.
2. Compare to MH box indicates suggested Light Loss Factor (LLF) to be used when comparing to Metal Halide (MH) systems.

Specifications subject to change without notice. Rev. 020818