

# NHL-CBE2-24-45W-CT-UNV

## LED CENTER BASKET FIXTURE

### DESCRIPTION

2' x 4' LED Center Basket Fixture | 120 – 277V Input |  
Frosted Lens | 0–10V Dimming

### APPLICATION

Used for commercial recessed ceiling applications



### PRODUCT FEATURES

- Features Color Select technology. Adjust CCT between 3500K, 4000K, or 5000K
- Features Power Select technology. Adjust power between 45W, 38W, and 30W
- Powered by 0 –10V dimming LED drivers with 12V Aux
- Architectural grade center basket volumetric design
- Ambient operating temperature: -20°C/-4°F to 50°C/122°F
- Compatible with New Horizon Lighting supplied emergency batteries
- Available with optional integral occupancy sensor accessory, NHL-FC2-12V-SM-PIR
- Low optical flicker
- THD: < 20%
- Power factor > 0.95
- IC Rated

### POWER AND COLOR TEMPERATURE SELECTABILITY

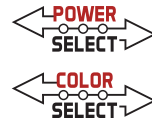
- Color Select Technology: Adjustable CCT (3500K/4000K/5000K)
- Power Select Technology: Adjustable Wattage (45W/38W/30W)

### PRODUCT SPECIFICATIONS

Catalog Number	Input Voltage	Wattage	CCT	Lumen Output	Efficacy	CRI	Power Factor	Lifetime
NHL-CBE2-24-45W-CT-UNV	120 –277V	45W	3500K	5,760	128 lm/W	> 80	> 0.90	50,000 hrs
			4000K	5,805	129 lm/W			
			5000K	5,850	130 lm/W			
		38W	3500K	4,978	131 lm/W			
			4000K	5,016	132 lm/W			
			5000K	5,054	133 lm/W			
		30W	3500K	4,110	137 lm/W			
			4000K	4,140	138 lm/W			
			5000K	4,170	139 lm/W			

### ONE CATALOG NUMBER WITH 9 DIFFERENT OPTIONS

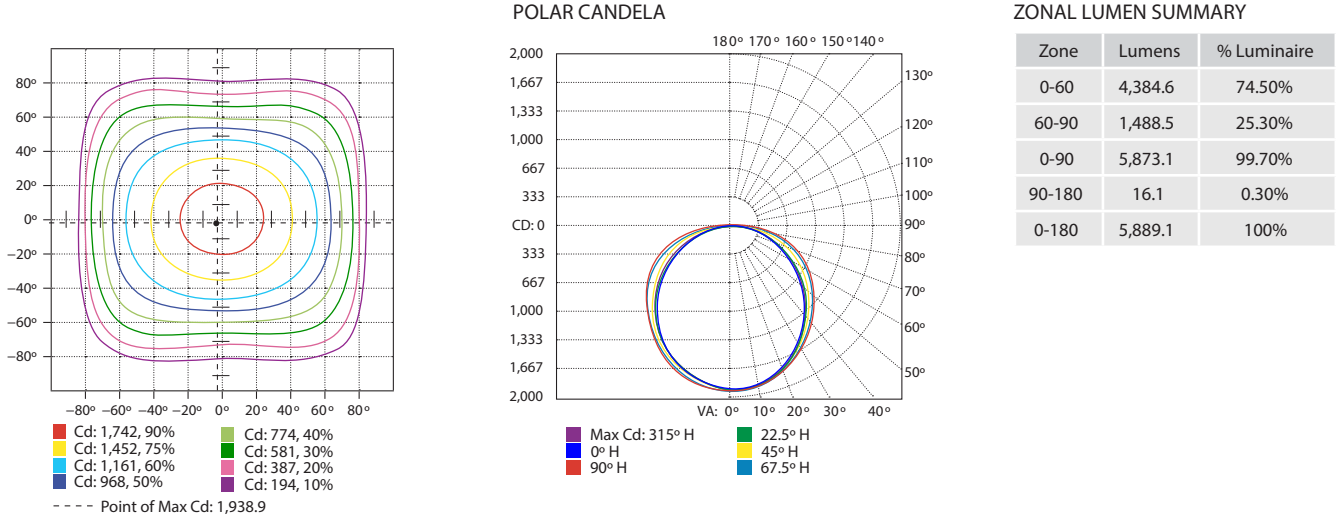
\* Preset to highest lumen output (45W / 5000K)  
\* Color Uniformity: CCT (Correlated Color Temperature) range as per guidelines outlined in ANSI C78.377-2017



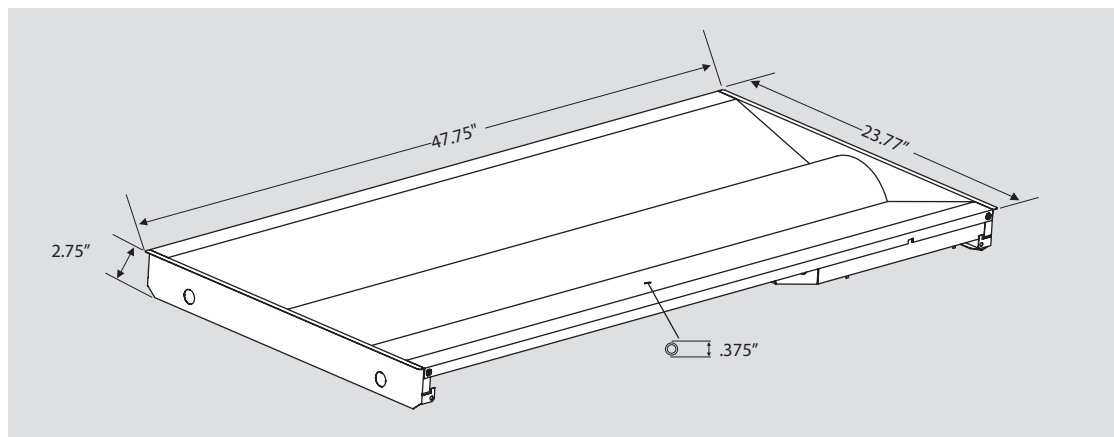
# NHL-CBE2-24-45W-CT-UNV

## LED CENTER BASKET FIXTURE

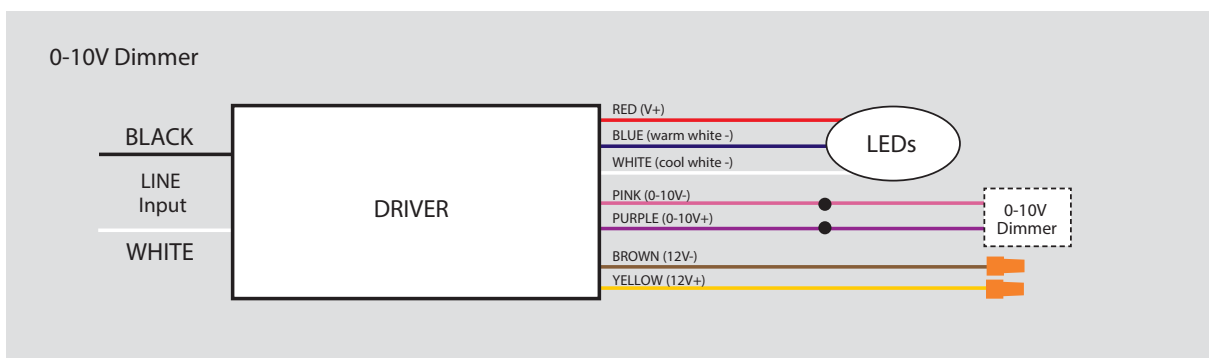
### PHOTOMETRIC SPECIFICATIONS

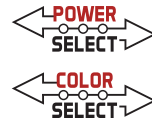


### PHYSICAL SPECIFICATIONS



### WIRING DIAGRAMS

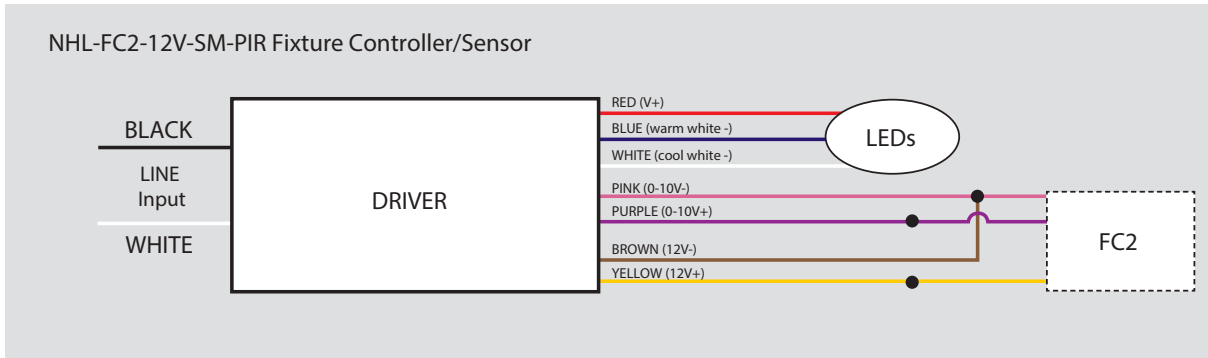




# NHL-CBE2-24-45W-CT-UNV

## LED CENTER BASKET FIXTURE

### WIRING DIAGRAMS (CONTINUED)



### ADDITIONAL ACCESSORIES (SOLD SEPARATELY)

Catalog Number	Description
NHL-BLEDEM-CP-1200	8W, 1200 lumen Smart Safe emergency backup with duel flex cables.
NHL-BLEDEM-CP-2400	17W, 2400 lumen Smart Safe emergency backup with duel flex cables, self diagnostic.
NHL-FC2-12V-SM-PIR	Bluetooth mesh wireless low voltage fixture controller for system with integrated daylight and PIR motion sensors



Fixture installed with NHL-FC2-12V-SM-PIR

### ORDERING INFORMATION

Catalog Number	Pack Quantity
NHL-CBE2-24-45W-CT-UNV	TBD

### CATALOG NUMBER BREAKDOWN

# NHL-CBE2-24-45W-CT-UNV

- 1
- 2
- 3
- 4
- 5
- 6

- 1 New Horizon Lighting
- 2 LED Center Basket Fixture
- 3 2X4' Nominal Length
- 4 Wattage
- 5 Color Select Designation
- 6 Voltage

#### Color Select Designation

A	3500K, 4000K, 5000K
---	---------------------

#### Sensor Options

	No Option
FC2-12V-SM-PIR	SmartLoop PIR sensor included