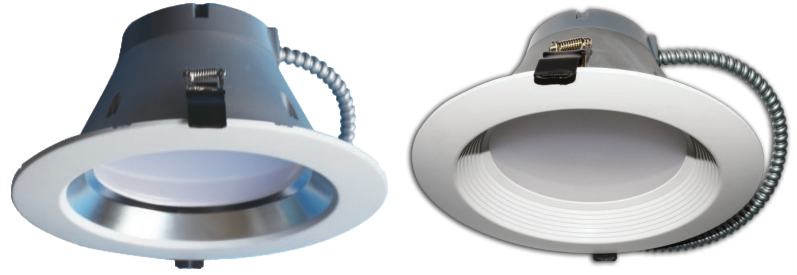


NHL-BRK8A ARCHITECTURAL TRIM 8 inch



Project:	
Type:	
Catalog #:	



SILVER AND WHITE

BAFFLE

STANDARD



APPLICATIONS

8" architectural Recessed downlight retrofit solution with integrated LED power supply and thermal management system combined in a single compact unit designed to fit most standard 8" recessed cans. Also works in new construction applications.

ILLUMINATION

- Long life LEDs with up to 50,000 hours at 70% lumen maintenance.
- Choice of 3045K(±175), 3465K(±245), 3985K(±275), 5029K (±283) color temperature with 80 CRI.
- Produces 2000 or 5000 lumens, output from luminaire.
- Uses 1.18W high power, high quality LEDs.

ELECTRICAL

- Dimmable to 0-10V dimmers.

BRAND	27WATT	54WATT
SYLVANIA	45167	45561
Leviton Decora	IP710-LFZ	IP710-LFZ
Lutron Diva	DVSTV-WH	DVSTV-WH
Cooper	DF10P-C1	DF10P-C1
Lutron	MS-Z101-WH	MS-Z101-WH

- Save 75% compared to incandescent sources.
- High efficiency driver with a power factor $\geq .90$ with input power of 120V-277V, 50-60Hz.
- Built-in LED Driver.
- Power consumption of 27watts or 54watts.

MOUNTING

- Easy to install flex-cable into a junction box.

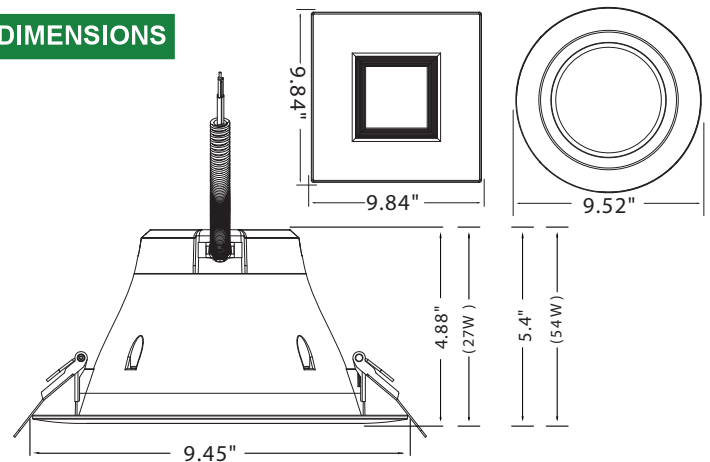
HOUSING

- Compatible with most 8" housings.
- Compatible with non-insulated and air-tight ceilings.
- Durable thermoplastic and aluminum construction.
- Flexible cable.
- Optional 8" square snap-on.
- Optional 8" silver and white aluminum round trim.

WARRANTY/LISTING

- Tested in accordance with IESNA LM79 & LM80.
- ETL Listed for wet location, US and Canada (new construction).
- ETL Classified for wet location, US and Canada (retrofit).
- Energy Star qualified.
- Passes FCC Class A.
- ROHS COMPLIANT.
- Five year warranty on all electronics and housing.
- Operation temperature of -20°C- 40°C (-4°F- 104°F). Non-insulated Ceiling.

DIMENSIONS



ORDERING INFORMATION

MODEL	TRIM	KELVIN RATING		LUMENS	TEMPRATING
NHL-BRK8A-BW-27W-35K-UNV	BW White Baffle	35K	3500K	2000	-20 to +40°C
NHL-BRK8A-BW-27W-40K-UNV	BW White Baffle	40K	4000K	2000	-20 to +40°C
NHL-BRK8A-BW-27W-50K-UNV	BW White Baffle	50K	5000K	2000	-20 to +40°C
NHL-BRK8A-BW-54W-30K-UNV	BW White Baffle	30K	3000K	5000	-20 to +40°C
NHL-BRK8A-BW-54W-40K-UNV	BW White Baffle	40K	4000K	5000	-20 to +40°C
NHL-BRK8A-TRMPLT-SPWHT	Silver/White	NA	NA	NA	
NHL-BRK8A-TRMPLT-SQ	Square	NA	NA	NA	