

NHL-AS20 L70 25°C 457,000 Hours

Small Bell with Shade and Gooseneck Arm

The NHL-AS20 Small Bell Gooseneck LEDlight luminaire is available with 5 Gooseneck arms of various lengths and is designed to replace HID lighting systems up to 175w MH or HPS. This decorative fixture with prismatic spread lens and glare shade is ideal for retail centers, industrial parks, schools and universities, public transit and airports, office buildings and medical facilities. Designed for architectural wall mounting up to heights of 20 feet based on light level and uniformity requirements.

NHL-AS20 Specifications and Features:

Housing:

Heavy Duty Die Cast Aluminum Housing with Integral Heat Sinking, 3/4" NPS Threaded Mount. Includes Spun Aluminum Shade, Field Removable.

Wattage:

Array: 23w, System: 26.3w; (175w HID Equivalent.)

Listing & Ratings:

CSA Listed for Wet Locations, ANSI/UL 1598, 8750 IP66 Sealed LED Compartment

Driver:

Electronic Driver, 120-277V, 50/60Hz; Less Than 20% THD and PF>0.90. Standard Internal Surge Protection 2kV. 0-10V Dimming Standard for a Dimming Range of 100% to 10%; Dimming Source Current is 150 Microamps.

Finish:

Powdercoat Finish Over a Chromate Conversion Coating. Custom Colors Available Upon Request.

Warranty:

5-Year Warranty for -40°C to +50°C Environment.

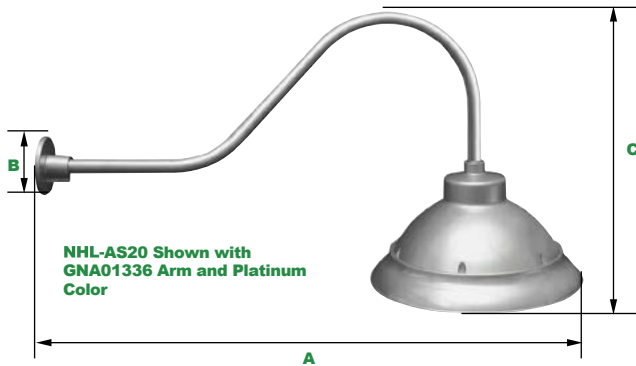
Lens:

Clear Prismatic Polycarbonate Lens

See Page 3 for Projected Lumen Maintenance Table.

Mounting:

Fixed Mount or Adjustable Swivel with 3/4" NPS Threads.



NHL-AS20 Shown with GNA01336 Arm and Platinum Color

Dimensions

Base Diameter (B)	4 1/4" (108mm)
Length (A)	43 1/2" (1099mm)
Height (C)	23 3/4" (591mm)

**See Page 2 for
Features and Arm
Dimensions**

Step 1: Select NHL-AS20

Order Information Example:

NHL-AS20-F-23W-50K-UNV-C-P-GNF-SF

NHL-AS20	F	23	5K	U	C			
Model	Optics	Wattage	CCT	Voltage	Lens	Color	Mounting	Options
NHL-AS20= Small Bell with Shade	F=Type V	23W=23w	50K=5000K	UNV= 120-277V	C=Clear Prismatic Array Lens	B=Black, RAL9011 P=Platinum, RAL9006 R=Red, RAL3020 W=White, RAL9016 CC=Custom (Consult Factory)	GNF=Fixed Downlight, Includes 72" of Wire for Arm Feed Through to Wall Box GNS=Adjustable Swivel Includes 72" of Wire for Arm Feed Through to Wall Box	SF=Single Fuse DF=Double Fuse

Step 2: Select Arm

Order Information Example:

GNA01336PR

Model	Length	Color	Mounting
GNA013 - Classic Hook	36=36" 30=30"	B=Black, RAL9011 P=Platinum, RAL9006 R=Red, RAL3020 W=White, RAL9016 CC=Custom (Consult Factory)	S=Square Oversized Wall Mount R=Round Wall Mount N=No Wall Mount
GNA023 - Straight	30=30" 24=24" 18=18" 12=12"		
GNA033 - Straight Offset	30=30" 24=24"		
GNA043 - Straight Rise	30=30"		
GNA053 - Round Hook	30=30" 24=24" 18=18"		

Gooseneck Arm Specifications and Features:

Construction:

Heavy-Duty 3/4" Aluminum Arms with 3/4" NPS Threads on Fixture Mounting End.

Finish:

Powdercoat Finish Over a Chromate Conversion Coating. Custom Colors Available Upon Request.

Mounting Options:

Mount with 3/4" Square or Round Mounting Plates.

Specification Guide:



AS201Q Fixture



Arm



Complete Unit

Project Information:

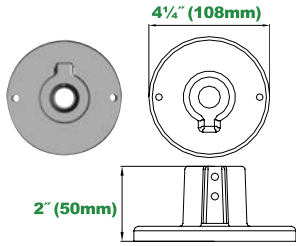
Project Name: _____ Fixture Type: _____
 Complete Catalog #: _____ Date: _____
 Comments: _____

Certification & Listings:



Specifications subject to change without notice. Rev. 060418

Wall Plate Dimensions



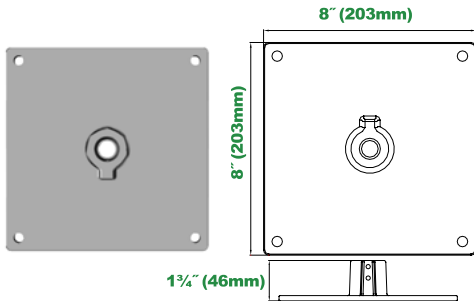
GNRMP3

Replacement Wall Plates (Order separately, Field installed)

GNRMP3* Round Wall Mount Plate, Powdercoat Finish.

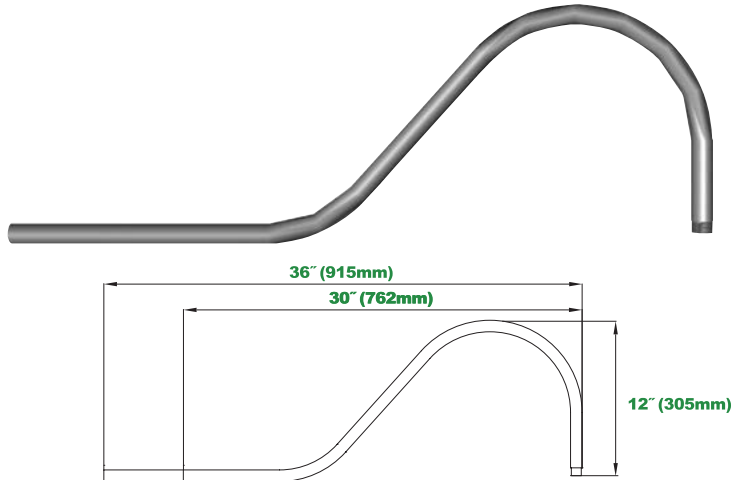
GNSMP3* Square Oversized Wall Mount Plate, Powdercoat Finish.

*Specify Color: B=Black, P=Platinum, R=Red, W=White, C=Custom
(Consult Factory)

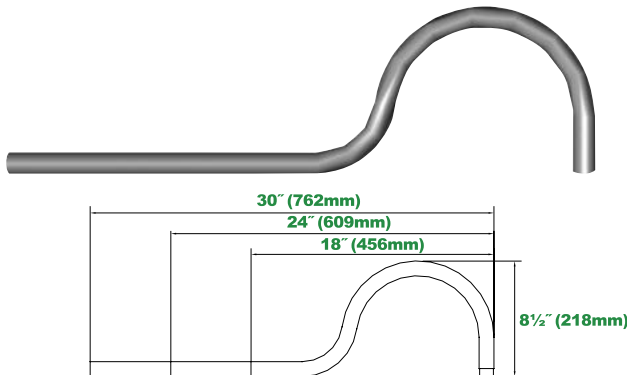


GNSMP3

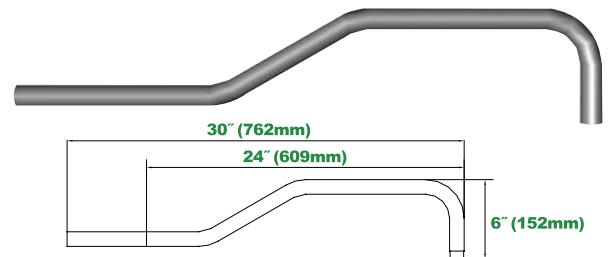
Gooseneck Dimensions



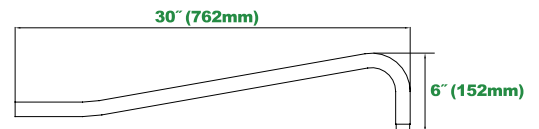
GNA01336P Classic Hook



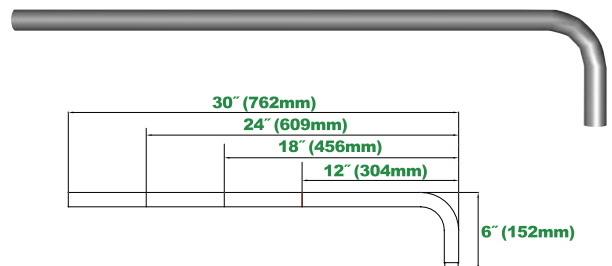
GNA05336P Round Hook



GNA03330P Straight Offset



GNA04330P Straight Rise



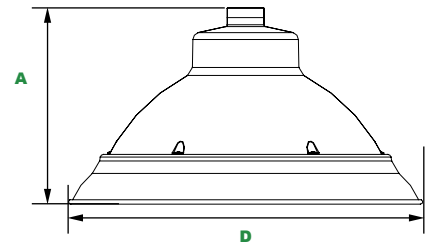
GNA02330P Straight

Specifications subject to change without notice. Rev. 111017

AS20 Dimensions



Small Bell



Dimensions

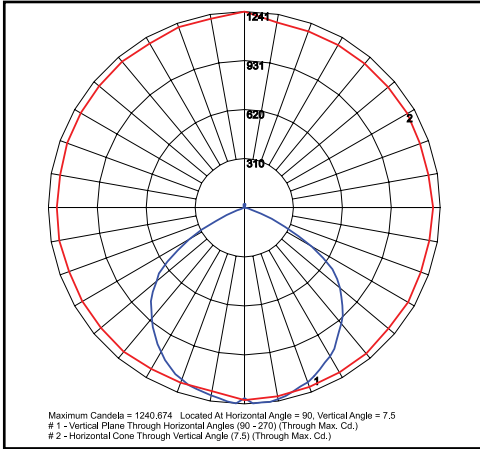
Diameter (D)	15 1/4" (386mm)
Height (A)	8 1/2" (214mm)



Gooseneck LEDlights

NHL-AS20 Small Bell with Shade and Gooseneck Arm

Photometric Data



NHL-AS20-F-23W-50K-UNV-C
 Type V

Grid in MH
 MH=10 Feet

Photometric Performance

LED Board Watts	Drive Current (mA)	Input Watts	Optics	5000 CCT 80 CRI				
				Lumens	LPW	B	U	G
LED 23w	525	26	Type V (Clear Prismatic Lens)	3,022	116	1	2	0

Projected Lumen Maintenance

Data shown for 5000 CCT	Input Watts	Compare to MH					Calculated L70@ 25°C
		Initial	25,000 Hrs	50,000 Hrs	100,000 Hrs	100,000 Hrs	
TM-21-11	26	1.00	0.98	0.97	0.93	457,000	
L70 Lumen Maintenance @ 25°C / 77°F	26	1.00	0.97	0.95	0.89	273,000	
TM-21-11	26	1.00	0.98	0.95	0.90	206,000	
L80 Lumen Maintenance @ 40°C / 104°F	26	1.00	0.98	0.95	0.90	206,000	

NOTES:

1. Projected per IESNA TM-21-11. Data references the extrapolated performance projections for the 525mA base model in a 25°C ambient, based on 10,000 hours of LED testing per IESNA LM-80-08.
2. Compare to MH box indicates suggested Light Loss Factor (LLF) to be used when comparing to Metal Halide (MH) systems.

Specifications subject to change without notice. Rev. 111017