

NHL-AS30 Pendant Decorative Pole Mount



Shown with ASMA12
Dual Pole Mount Arm

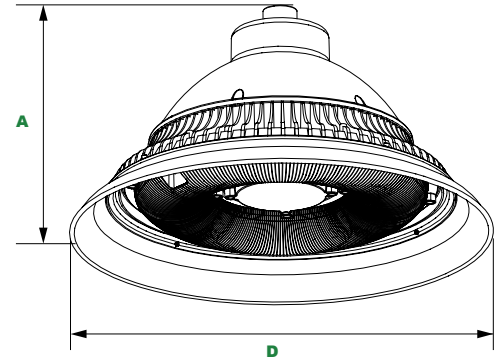


Shown with ASMA11
Single Pole Mount Arm



Shown with ASWM11
Wall Mount Arm

L70
25°C **473,000 Hours**



Dimensions

Diameter (D)	19½" (495mm)
Height (A)	11" (279mm)

The NHL-AS30 Pendant is available in Type III or V distributions with two lens options designed to replace HID lighting systems up to 250w MH or HPS. The fixture mounts to a pole single arm, pole double arm, or wall mount single arm. Typical area lighting applications include parking areas, walkways, and pedestrian public spaces. Mounting heights of 12 to 30 feet can be used based on light level and uniformity requirements.

NHL-AS30 Specifications and Features:

Housing:

Die Cast Aluminum Housing, Integral Heat Sinking and Driver Compartment, Spun Aluminum Shade. Nickel-Plated Stainless Steel Hardware. Optional Twist-Lock Receptacle and Photocells are Installed on Arm Brackets (Factory Installed).

Listing & Ratings:

CSA: Listed for Wet Locations, ANSI/UL 1598, 8750
IP66 Sealed LED Compartment

Finish:

Textured Architectural Black Powdercoat Finish Over a Chromate Conversion Coating. Custom Colors Available Upon Request.

Lens:

Clear Prismatic or LumaLens Opal Prismatic Array Lens to Seal LED Array

Mounting Options:

Single Wall Mount Arm and Bracket, or Single or Dual Pole Mount Arms. Pole Mount Arms Accommodate 3" Tenons.

Wattage:

37w Array: 37w, System: 39w; (70-150w HID Equivalent)
65w Array: 65.1w, System: 68w; (150-250w HID Equivalent) 84w Array: 84w, System: 86w; (150-250w HID Equivalent.)

Driver:

Electronic Driver, 120-277V, 50/60Hz or 347-480V, 50/60Hz; Less Than 20% THD and PF>0.90. Standard Internal Surge Protection 6kV. 0-10V Dimming Standard for a Dimming Range of 100% to 10%; Dimming Source Current is 150 Microamps.

Controls:

Fixtures Ordered with Factory-Installed Photocell or Motion Sensor Controls are Internally Wired for Switching and/or 1-10V Dimming Within the Housing. Remote Direct Wired Interface of 1-10V Dimming is Not Implied and May Not Be Available, Please Consult Factory. Fixtures are Tested with LEPG Controls and May Not Function Properly With Controls Supplied By Others. Fixtures are NOT Designed for Use with Line Voltage Dimmers.

Warranty:

5-Year Warranty for -40°C to +50°C Environment.

See Page 3 for Projected Lumen Maintenance Table.

Specification Guide:

Step 1:



Select Fixture

Step 2:



Select Arm

Step 3:



Select Pole

Project Information:

Project Name:	Fixture Type:
Complete Catalog #:	Date:
Comments:	

Certification & Listings:



Specifications subject to change without notice. Rev. 011619



L70
25°C **473,000 Hours**

NHL-AS30 Pendant Decorative Pole Mount

Step 1: Select Fixture

Order Information Example: AS301QF1X84U5KCBSF

NHL-AS30							
Model	Optics	Wattage	Driver	CCT	Lens	Color	Options
NHL-AS30= LED Bell Pendant	C=Type III* F=Type V	1X37=37w 1X65=65w 1X84=84w	UNV= 120-277V 480= 347-480V	30K=3000K* 40K=4000K 50K=5000K *84w Type V & 65w Type III Only	C=Clear Prismatic Array Lens L=LumaLens Opal Array Lens	B=Black CC=Custom (Consult Factory)	SF=Single Fuse DF=Double Fuse SP=Surge Protection S2=Microwave Sensor with Dimming for Mounting Heights of 8 to 40'. (120-277V Only) S4=Microwave On/Off Motion Sensor for Mounting Heights of 8' to 19', (120-277V Only).

Step 2: Select Arm

Order Information Example: ASMA12BR7

Model	Color	Options
ASWM11= Single Wall Mount Arm ASMA11= Single Pole Mount Arm ASMA12= Dual Pole Mount Arm	B=Black CC=Custom (Consult Factory)	R3=3-Pin Twist Lock PhotoCell Receptacle R5=5-Pin Twist Lock PhotoCell Receptacle R7=7-Pin ANSI C136.41—2013 Twist Lock PhotoCell Receptacle PhotoCell Option not available with Wall Mount Arm.

Step 3: Select Pole

Order Information Example: PSRA2555BP3

PSRA		B	P3	Options
Model	Height/Shaft/Gauge (Pick One)	Color	Pole Top Mounting	Options
	4" Round 5mm Wall 5" Round 5mm Wall			
PSRA= Straight Round Aluminum Pole	2045=20' 2555=25'	B=Black	P3=2 1/4" x 4"H Tenon	(Leave Blank)=No Options LAB=Less Anchor Bolts (2) LBC=Less Base Cover (3)

Notes:

- PSRA poles include anchor bolts standard, consult dimension table for size based on pole dimensions.
- PSRA poles include square 2-piece black base cover.
- PSRA poles available in standard lengths as shown. Poles can be cut to custom lengths. Consult Factory.

See PSRA Spec Sheet for Additional Specifications and EPAs

Order Information Example: PARF422DBBLAB

PARF		B	Options
Model	Shaft/Height/Style	Color	Options
PARF=Fluted Aluminum Extruded Pole	416AB=16' Anchor Base Pole 422DB=22' Direct Burial Pole	B=Black	(Leave Blank)= No Options LAB= Less Anchor Bolts (2)

Notes:

- PARF poles include anchor bolts standard.
- PARF poles include removable 3" aluminum tenon.
- PARF Poles can be cut to custom lengths. Consult factory.

See PARF Spec Sheet for Additional Specifications and EPAs

Mounting Options:



AS30 with Single Wall Mount Arm (ASWM11)

Single Wall Mount Arm, Black Powdercoat Finish, Includes Hardware. Mounts Directly to Wall



AS30 with Single Pole Mount Arm (ASMA11)


Single Pole Mount Arm, Black Powdercoat Finish, Includes Hardware. Requires 3" Tenon.




AS30 with Dual Pole Mount Arm (ASMA12)

Dual Pole Mount Arm, Black Powdercoat Finish, Includes Hardware. Requires 3" Tenon.

EPA (Effective Projected Area) Shown with Mounting Arms.

Configuration	EPA (Sq. Ft.)	Weight (Lbs.)
 1	0.64	22 Lbs

Configuration	EPA (Sq. Ft.)	Weight (Lbs.)
 2@180' Mount	1.28	44 Lbs

Specifications subject to change without notice. Rev. 031319

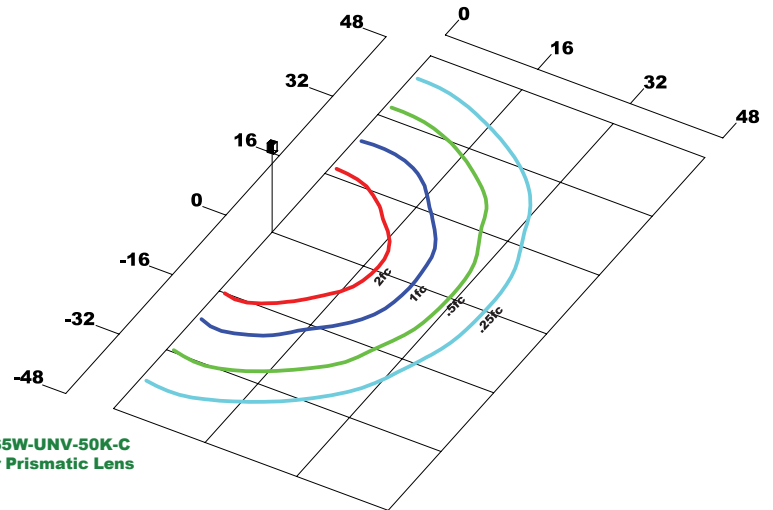
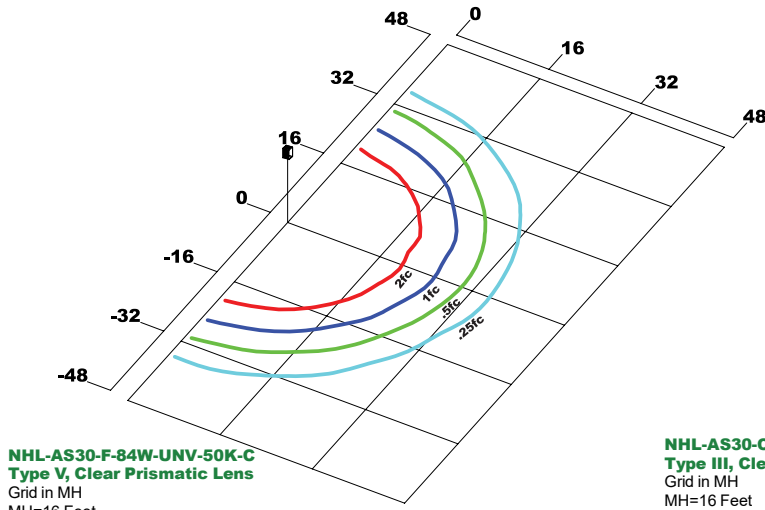
Accessories & Replacement Parts:



Accessories (Order Separately, Field Installed)	
P18131	Twist Lock Non-Shorting (Open) Cap Disconnects Service to Fixture for Temporary or Permanent Disabling (Fixture Always Off). IP65, 480V Maximum.
P18132	Twist Lock Shorting Cap Provides Fixed Service to Fixture (Fixture Always on). IP65, Rated Load 7200w Tungsten.
P18140	110-120VAC Instant Twist Lock Photocell
P18142	105-287VAC Instant Twist Lock Photocell
P18150	120VAC Time Delay Twist Lock Photocell
P18152	277VAC Time Delay Twist Lock Photocell
P18156	120-277VAC Universal Twist Lock Photocell
P18157	480VAC Time Delay Twist Lock Photocell. For 480V use only.

Replacement Parts (Order Separately, Field Installed)	
P17117	Internal Microwave Sensor with Dimming for Mounting Heights of 8 to 40'. 120-277VAC, 50/60Hz.
P17123	Internally Mounted Microwave On/Off Motion Sensor for Mounting Heights of 8' to 19', 120-277VAC, 50/60Hz

Photometric Data



Photometric Performance

LED Board Watts	Drive Current (mA)	Input Watts	Optics	5000 CCT 80 CRI				4000 CCT 80 CRI				3000 CCT 80 CRI			
				Lumens	LPW	B	U G	Lumens	LPW	B	U G	Lumens	LPW	B	U G
LED 37w	525	39	Type III (Clear Prismatic Array Lens)	3,228	83	1	0 1	3,107	80	1	0 1	-	-	-	-
LED 65w		68	Type III (Clear Prismatic Array Lens)	5,671	83	2	0 2	5,458	80	2	0 2	5,246	77	2	0 2
LED 84w		86	Type III (Clear Prismatic Array Lens)	7,067	82	2	0 2	6,802	79	2	0 2	-	-	-	-
			Type V (Clear Prismatic Array Lens)	9,614	112	3	3 0	8,965	104	3	3 0	8,653	101	3	3 0
			Type V (LumaLens Array Lens)	8,220	96	3	3 0	7,665	89	3	3 0	7,398	86	3	3 0

Projected Lumen Maintenance

Data shown for 5000 CCT			Compare to MH			
TM-21-11	Input Watts	Initial	25,000 Hrs	50,000 Hrs	100,000 Hrs	Calculated LED Life
L70 Lumen Maintenance @ 25°C / 77°F	All wattages up to and including 86w	1.00	0.98	0.97	0.94	473,000
L70 Lumen Maintenance @ 50°C / 122°F		1.00	0.97	0.95	0.90	290,000
L80 Lumen Maintenance @ 40°C / 104°F		1.00	0.98	0.95	0.91	220,000

NOTES:
 1. Projected per IESNA TM-21-11. Data references the extrapolated performance projections for the 525mA base model in a 25°C ambient, based on 10,000 hours of LED testing per IESNA LM-80-08.
 2. Compare to MH box indicates suggested Light Loss Factor (LLF) to be used when comparing to Metal Halide (MH) systems.