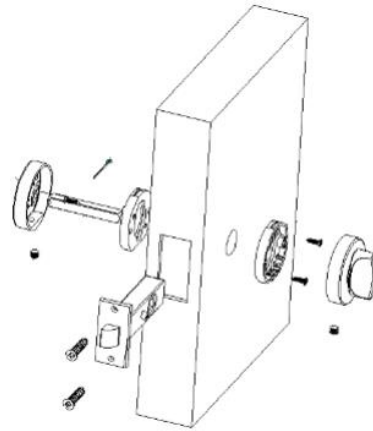
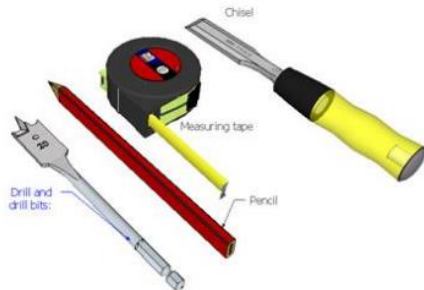


# Privacy Edge Latch Installation Guide

What you'll need



## Drilling template

