

SPG88BD

50 hz Diesel Generator

OUTPUT POWER

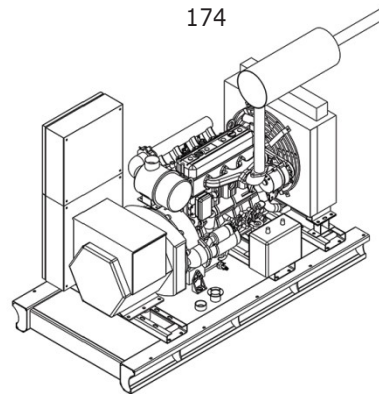
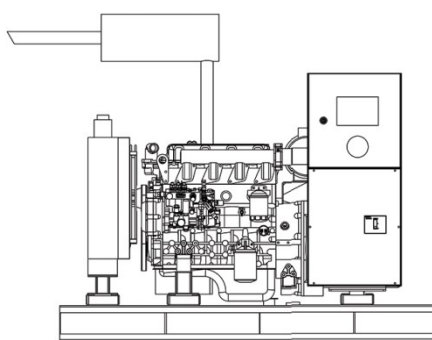
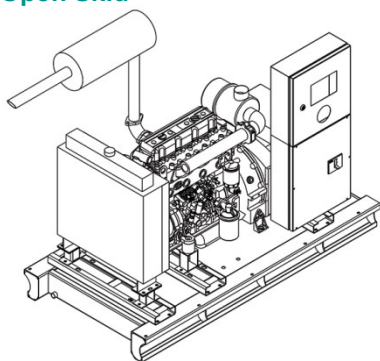
Standby Power
88 kVA

Prime Power
80 kVA



DIMENSIONS

	W x L x H (mm)	Weight	Fuel Tank Capacity
Canopied	1160 x 2910 x 1720	1472	174
Open Skid	1750x 1000 x 1120	1184	174



STANDBY POWER

Emergency standby power is defined as the maximum power available during a variable electrical power sequence, under the stated operating conditions, for which a generating set is capable of delivering in the event of a utility power outage or under test conditions for up to 200h of operation per year with the maintenance intervals and procedures being carried out as prescribed by manufacturers. The permissible average output over 24h of operation shall not exceed 70% of the ESP unless otherwise agreed by the engine manufacturer.

With standby rated generators there is no overload capability. (ISO8528-1 : 2018)

PRIME POWER

Prime power is defined as being the maximum power which a generating set is capable of delivering continuously while supplying a variable electrical load when operated for an unlimited number of hours per year under

the agreed operating conditions with the maintenance intervals and procedures being carried out as prescribed by the manufacturer. The permissible average power output, over 24 h of operation shall not exceeder is permitted for a period of one hour with or without interruptions, within 12 hours of operation. (ISO8528-1 : 2018)

CONTINUOUS POWER

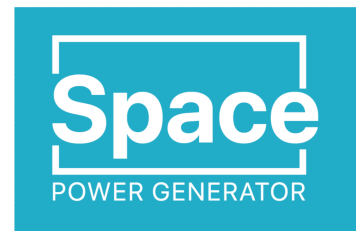
Continuous power is defined as being the maxiich the generating set is capable of delivering continuously while supplying a constant electrical load when operated for an unlimited number of hours per year under the agreed operating conditions with the maintenance intervals and procedures being carried out as prescribed by the manturer.

(ISO8528-1 : 2018)

TECHNICAL DATASEET

SPG88BD

50 hz Diesel Generator



ENGINE

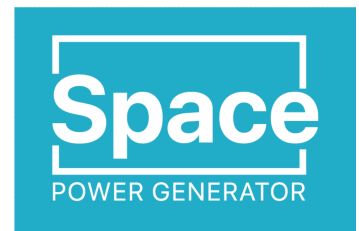
Manufacturer		BAUDOUIN
Model		4M10G4D0-S
Cylinder Configuration		IN-LINE
No of Cylinders		4
Displacement		4,08
Bore		105
Stroke		118
Compression Ratio		17,5:1
Aspiration Type		Turbo-charged
Governor Type		Electronic
Cooling System		Water
Coolant Capacity	<i>lt</i>	18
Lubrication Oil Capacity	<i>lt</i>	13
Electrical System (DC)		12
Speed/ Frequency	<i>rpm/Hz</i>	1500/50
Engine Gross Power	<i>kW</i>	80
Fuel Consumption %110 ESP	<i>lt/h</i>	21,3
Fuel Consumption %100 ESP	<i>lt/h</i>	18,8
Fuel Consumption %75 ESP	<i>lt/h</i>	13,5
Fuel Consumption %50 ESP	<i>lt/h</i>	9,1
Exhaust Outlet Temperature	<i>°C</i>	570
Exhaust Gas Flow	<i>m3/min</i>	17,25
Combustion Air Flow	<i>m3/min</i>	4,77
Cooling Air Flow	<i>m3/min</i>	146

ALTERNATOR

Number Of Phases		3
Power Factor		0,8
No of Bearings		Single
No of Poles		4
No of Leads		6-12
Insulation Class		H
Degree of Protection		IP23
Excitation System		AVR
Manufacturer		Stamford Leroy somer

SPG88BD

50 hz Diesel Generator



STANDARD EQUIPMENTS

ENGINE SPACE POWER generator has a wide engine range. In SPACE POWER generator sets, leading engine brands that have state of the art technology and have compliance with ISO 8528, ISO 3046, BS 5514, DIN 6271 standarts, are being used. Low fuel consumption, high first step load capacity and common spare parts are the prominent features.

ALTERNATOR Alternators are leading alternator brands. All alternators are pass necessary test process in mentioned IEC60034, BS4999-5000, VDE0530. There is no need bearing maintenance.

CONTROL PANEL

Standard control panel, that is used in SPACE POWER generator sets DATAKOM ensures comfortable and safe usage. All measured and statistical parameters, operating modes, notice and alarms and condition of generator, are monitored easily from the control panel. On the front of the panel's metal body has electronic control module and the emergency stop button and the panel's metal body is made of steel sheet and is painted with electrostatic powder paint. The customer can monitor all fault in control panel screen.

CHASSIS AND FUEL TANK

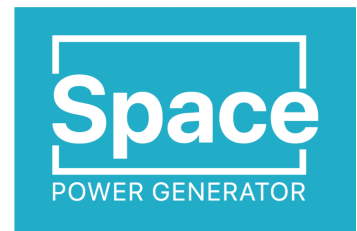
Chassis is manufactured from steel that has features and durability for carrying burden of generator set. All chassis contain lifting lugs. All chasis design and manufacturing are done by SPACE POWER generator in our own facility. All fuel tanks are made pressure test. The customer can see fuel level on fuel tank in all SPACE POWER generators.

COOLING SYSTEM

All SPACE POWER generators are ready to work in high temperatures or low temperatures. All designs and equipment simulations are made by R&D team in SPACE POWER.

SPG88BD

50 hz Diesel Generator



CANOPY FEATURES

All canopies are produced in SPACE POWER subcontractor facility.
All canopies are modular type, canopy installation executed with screw and nut, without welding process.

The canopies are designed for easy maintenance and satisfy the customers' all need.

Emergency stop button and control panel inspection window are standart equipments in SPACE POWER.

Depend on request, SPACE POWER can make container type canopy.

OPTIONAL EQUIPMENTS

Some optional equipments that SPACE POWER provides with generator sets,

- Cold climate package (Panel heater, alternator heater, webasto, oil heater, fuel heater etc.)
- Hot climate package (Tropical type radiator, industrial type air conditioning) Remote radiator applications
- Synchronisation Systems (Generator – generator, generator – mains)
- Double bearing alternators
- Air starting systems Pre lubrication systems
- Above ground – under ground fuel tanks Fuel automation systems
- Residential or critical type silencer PMG or AREP excitation systems
- High voltage alternators
- Seismic solutions Digital voltage regulator
- Protection circuit breakers ABB
- Synchronisation panels, transfer panels (3 pole or 4 pole) Special painting for harsh climate and for marines applications

SPACE POWER generator sets are produced in accordance with TSE, CE, ISO9001, ISO14001 standards.

Technical information and values are according to ISO8528, ISO3046, IEC 600341, BS 4999-5000, VDE 0530 standards.

Due to a policy continuous improvement SPACE Power reserves the right to amend details and specifications without notice and all information given is subject to the SPACEPOWER's current condition of sales. © SPACE POWER

TBA: To Be Asked TBD: To Be Determined NA: Not Available N/A:Not Applicable