



Product designation

Surge Protection Device (SPD)

Product type designation

SG2DG

Operating voltage type

DC

Application

DC Power lines

Number of DIN modules

3

SPD according to EN50539-11

Yes

**Electrical features**

Rated operational voltage DC	VDC	1100
Maximum continuous voltage Ucpv	V	1100
IEC Maximum discharge current I <sub>max</sub> 8/20 (L-N/N-PE)	kA	40
IEC Rated discharge current (IEC) I <sub>n</sub> 8/20 (L-N/N-PE)	kA	20
IEC Voltage protection level U <sub>p</sub> (L-N/N-PE)	kV	<3.8
Tripping time t <sub>a</sub> (L-N/N-PE)	ns	<25
Thermal insulation protection		YES
Backup protection fuse (IEC) with I <sub>sc</sub> >100A	Class/A	Not needed
Maximum short circuit current I <sub>scpv</sub>	kA	11
Status indicator - operating / end of life		Frontal indication

**Ambient conditions**

Operating temperature

min	°C	-40
max	°C	+85

Max altitude

m	2000
---	------

**Mechanical features**

Fixing

Din rail

Conductor section Flexible max (IEC)

mm <sup>2</sup>	25
-----------------	----

Conductor section Rigid max (IEC)

mm <sup>2</sup>	35
-----------------	----

Weight

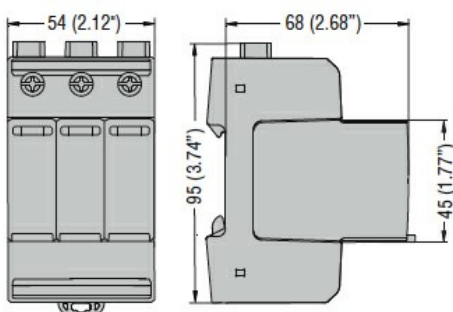
g	396
---	-----

**Relay output for remote status indication**

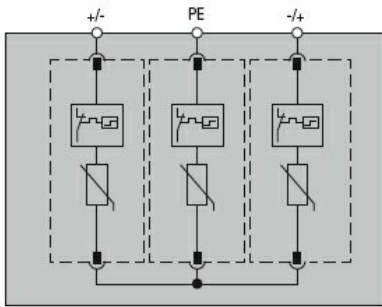
Rated current at

48V DC	A	0.5
--------	---	-----

**Dimensions [mm (in)]**



**Wiring diagrams**



### Certifications and compliance

#### Compliance

IEC/EN/BS 50539-11

#### Certificates

EAC

### ETIM classification

ETIM 8.0

EC000941 -  
Surge protection  
device for power  
supply systems