



Product designation

Surge Protection Device (SPD)

Product type designation

SA2E

Operating voltage type

DC

Application

DC Power lines

Number of DIN modules

3

### Electrical features

Rated operational voltage DC	VDC	1100
Maximum continuous voltage Ucpv	V	1100
IEC Maximum discharge current I <sub>max</sub> 8/20 (L-N/N-PE)	kA	40
IEC Rated discharge current (IEC) I <sub>n</sub> 8/20 (L-N/N-PE)	kA	20
IEC Voltage protection level Up (L-N/N-PE)	kV	<4.0
Voltage protection level Up (L-L/L-PE)	kV	<4.0
Backup protection fuse (IEC) with I <sub>sc</sub> >100A	Class/A	Not needed
IEC Maximum short circuit current at 50Hz	kA	50
Maximum short circuit current I <sub>scpv</sub>	kA	9
Status indicator - operating / end of life		Frontal indication

### Ambient conditions

Operating temperature

min	°C	-40
max	°C	+85

Max altitude

m 2000

### Mechanical features

Fixing

Din rail

Conductor section Flexible max (IEC)

mm<sup>2</sup> 25

Conductor section Rigid max (IEC)

mm<sup>2</sup> 35

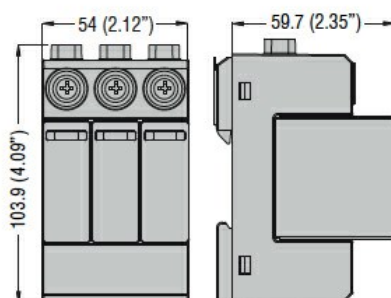
Cable stripping length

mm 15

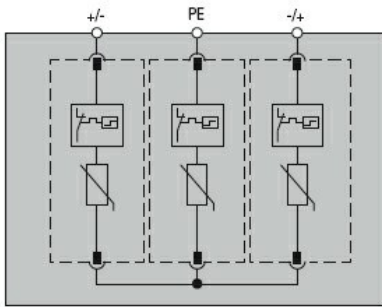
Weight

g 329

### Dimensions [mm (in)]



### Wiring diagrams



### Certifications and compliance

#### Compliance

IEC/EN/BS 50539-11

#### Certificates

EAC

### ETIM classification

ETIM 8.0

EC000941 -  
Surge protection  
device for power  
supply systems