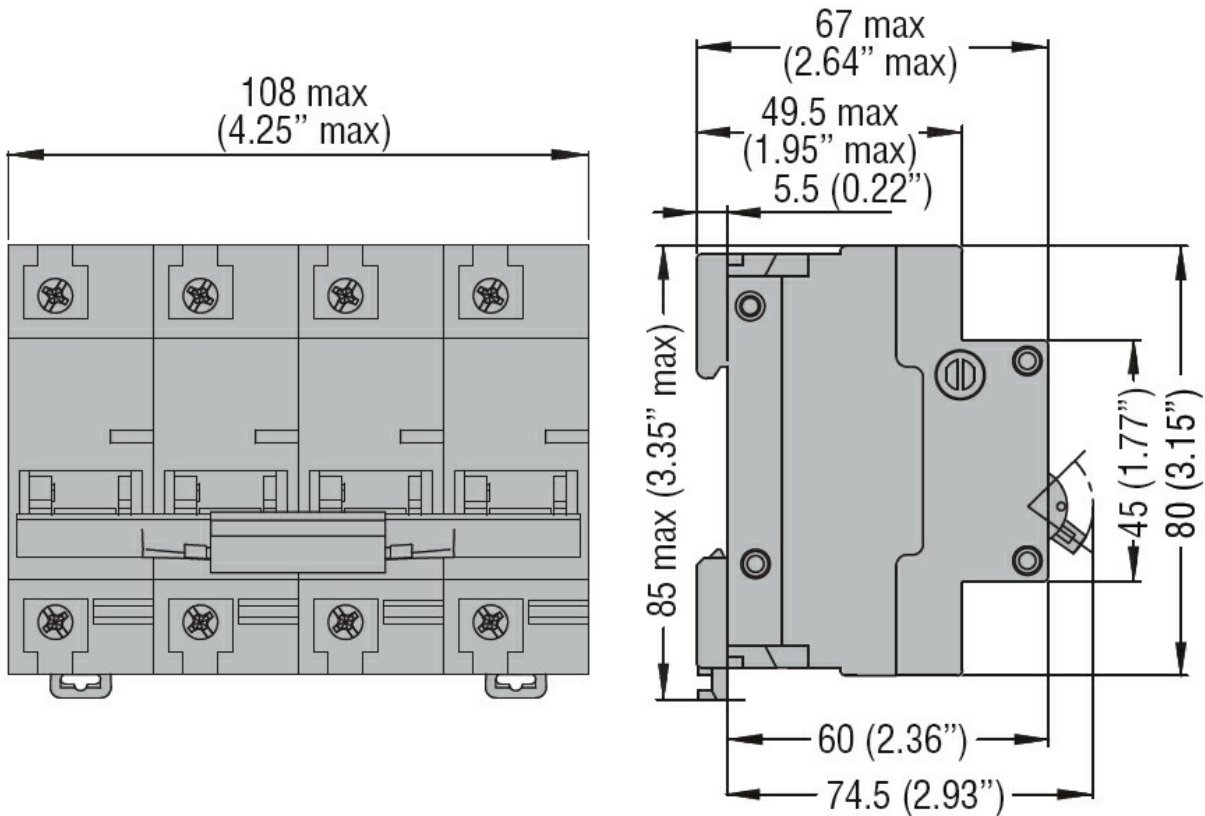


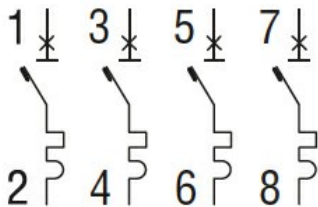


Product designation	Miniature circuit breaker (MCB)			
Product type designation	P2 MB			
Number of poles	4P			
Number of DIN modules	6			
Compliance	IEC / UL1077			
<b>Electrical features</b>				
Rated insulation voltage $U_i$ IEC/EN	V	400		
Rated impulse withstand voltage $U_{imp}$	kV	6		
Rated operational voltage AC (IEC)	VAC	230/400		
Rated frequency	Hz	50/60		
Rated current ( $I_n$ )	A	100		
Tripping curve		C		
Short circuit rating (IEC)	kA	10		
Electrical life	cycles	10000		
Power dissipation per pole max	W	14		
<b>Ambient conditions</b>				
Operating temperature	min	°C	-40	
	max	°C	+70	
Storage temperature	min	°C	-40	
	max	°C	+80	
Max altitude		m	2000	
<b>Mechanical features</b>				
Operating position	normal		Vertical plan	
			35mm DIN rail	
Fixing	35mm DIN rail			
Tightening torque for terminals	min	Nm	3.2	
	max	Nm	3.5	
	min	Ibin	28.3	
	max	Ibin	31	
Terminals tool	Pz 2			
Conductor section	IEC	min	mm <sup>2</sup>	2.5
		max	mm <sup>2</sup>	50
	AWG/Kcmil	min		14
		max		1/0
Mechanical life		cycles	10000	
Weight		g	680	
Frontal IP degree	IP20			
Pollution degree	3			

Dimensions [mm (in)]



Wiring diagrams



Certifications and compliance

Compliance

CSA C22.2 n°235. UR "UL Recognized" per Canada e USA.

IEC/EN 60947-2

UL 1077

Certifications

cURus

EAC

TÜV-Rheinland

ETIM classification

ETIM 8.0

EC000042 -  
Miniature circuit  
breaker (MCB)