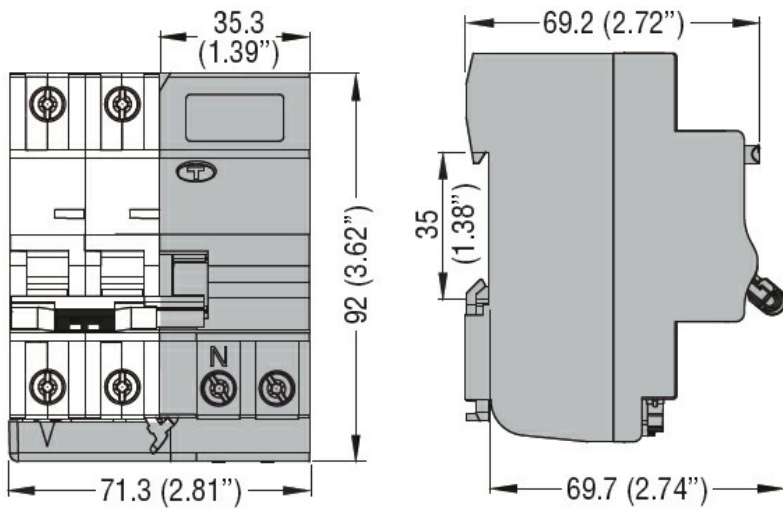




| | | | | |
|---|-----------|--------|-----------------|-----------------------|
| Product designation | | | | Residual block add-on |
| Product type designation | | | | P1 RA |
| Number of poles | | | | 2P |
| Number of DIN modules | | | | 2 |
| Compliance | | | | IEC |
| Electrical features | | | | |
| Rated insulation voltage U_i IEC/EN | | V | 400 | |
| Rated impulse withstand voltage U_{imp} | | kV | 4 | |
| Rated operational voltage AC (IEC) | | VAC | 230/400 | |
| Rated frequency | | Hz | 50/60 | |
| Rated current (I_n) | | A | 40 | |
| Residual operation characteristic | | | A | |
| Rated residual current | | mA | 300 | |
| Electrical life | | cycles | 10000 | |
| Ambient conditions | | | | |
| Operating temperature | min | °C | -25 | |
| | max | °C | +60 | |
| Storage temperature | min | °C | -40 | |
| | max | °C | +80 | |
| Max altitude | | m | 2000 | |
| Mechanical features | | | | |
| Operating position | | normal | Vertical plan | |
| Fixing | | | 35mm DIN rail | |
| Tightening torque for terminals | min | Nm | 1.8 | |
| | max | Nm | 2 | |
| | min | lbin | 16 | |
| | max | lbin | 17.7 | |
| Terminals tool | | | Pz 2 | |
| Conductor section | IEC | min | mm ² | 1 |
| | | max | mm ² | 16 |
| | AWG/Kcmil | min | | 14 |
| | | max | | 6 |
| Mechanical life | | cycles | 20000 | |
| Weight | | g | 160 | |
| Frontal IP degree | | | IP20 | |
| Pollution degree | | | 2 | |
| Dimensions [mm (in)] | | | | |



Certifications and compliance

Compliance

IEC/EN 61009-1

Certifications

EAC

TÜV-SUD

ETIM classification

ETIM 8.0

EC002297 -
 Residual current
 circuit breaker
 (RCCB) module