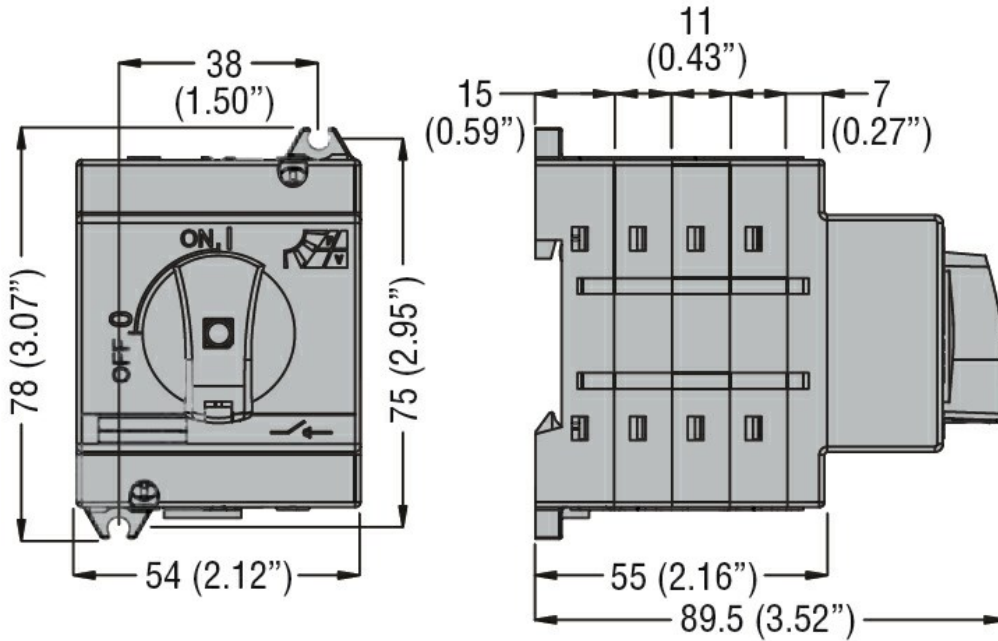


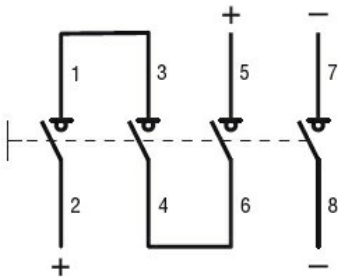


Product designation	Switch disconnector		
Product type designation	GD		
Number of poles	Nr.	2	
Operating voltage type	DC		
Contact characteristics			
IEC Conventional free air thermal current I _{th}	A	40	
Rated insulation voltage U _i IEC/EN	V	1500	
Rated impulse withstand voltage U _{imp}	kV	8	
Operating current I _e	DC21A		
	600V	A	40
	800V	A	40
	1000V	A	40
	1200V	A	32
	1500V	A	25
Power dissipation per pole max	W	1.9	
Rated short time current (1s) I _{cs} (rms)	kA	500	
Mechanical life	cycles	10000	
Mechanical features			
Operating position	normal allowable	Vertical plan Any	
Fixing	Screw / DIN rail 35mm		
Terminals	type	Screw with washer	
	tool	Phillips 1	
Tightening torque for terminals	min	Nm	1.2
	max	Nm	1.6
	min	lbin	1.3
	max	lbin	1.2
Conductor section	IEC min	mm ²	1
	IEC max	mm ²	10
	AWG/kcmil min		18
	AWG/kcmil max		8
UL technical data			
UL Standard	UL60947-4-1		
Ambient conditions			
Operating temperature	min	°C	-25
	max	°C	+55
Storage temperature			

	min	°C	-40
	max	°C	+70
Max altitude		m	3000
Resistance & Protection			
Frontal IP degree			IP20
Dimensions [mm (in)]			



Wiring diagrams



Certifications and compliance

Compliance

IEC/EN 60947-1
IEC/EN 60947-3

Certifications

EAC

ETIM classification

ETIM 8.0

EC000216 -
Switch
disconnector