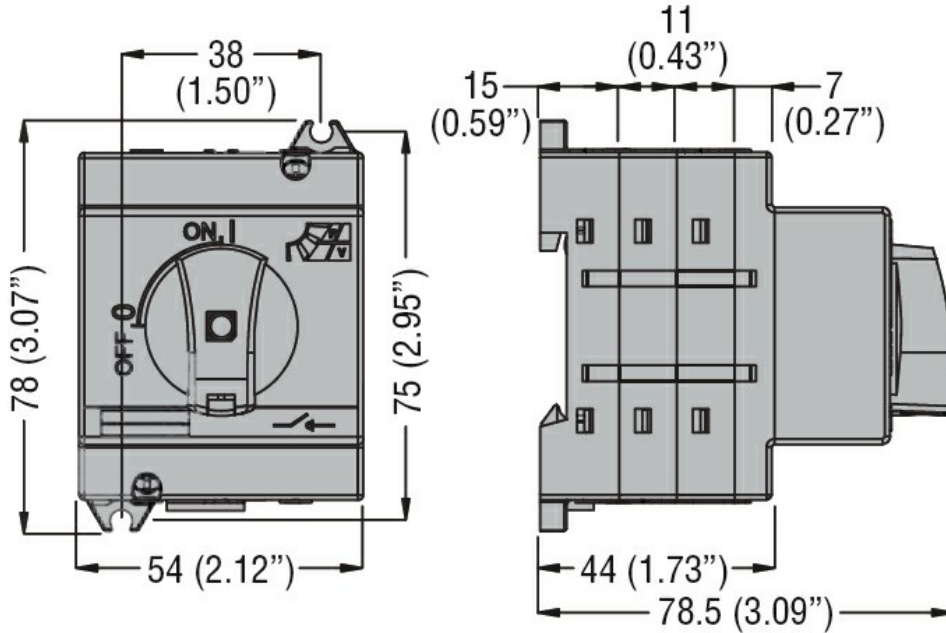


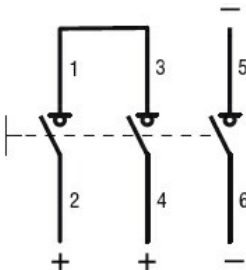


Product designation				Switch disconnector
Product type designation				GD
Number of poles		Nr.	2	
Operating voltage type				DC
Contact characteristics				
IEC Conventional free air thermal current I _{th}		A	25	
Rated insulation voltage U _i IEC/EN		V	1000	
Rated impulse withstand voltage U _{imp}		kV	8	
Operating current I _e	DC21A			
		600V	A	25
		800V	A	25
		1000V	A	25
Power dissipation per pole max		W	0,8	
Rated short time current (1s) I _{cw} (rms)		kA	500	
Mechanical life		cycles	10000	
Mechanical features				
Operating position		normal allowable		Vertical plan Any
Fixing				Screw / DIN rail 35mm
Terminals		type		Screw with washer
		tool		Phillips 1
Tightening torque for terminals		min	Nm	1.2
		max	Nm	1.6
		min	I _{bin}	1.3
		max	I _{bin}	1.2
Conductor section		IEC min	mm ²	1
		IEC max	mm ²	10
		AWG/kcmil min		18
		AWG/kcmil max		8
UL technical data				
UL Standard				UL60947-4-1
Ambient conditions				
Operating temperature		min	°C	-25
		max	°C	+55
Storage temperature		min	°C	-40
		max	°C	+70

Max altitude	m	3000
Resistance & Protection		
Frontal IP degree		IP20
Dimensions [mm (in)]		



Wiring diagrams



Certifications and compliance

Compliance	IEC/EN 60947-1 IEC/EN 60947-3
Certifications	EAC

ETIM classification

ETIM 8.0	EC000216 - Switch disconnecter
----------	--------------------------------