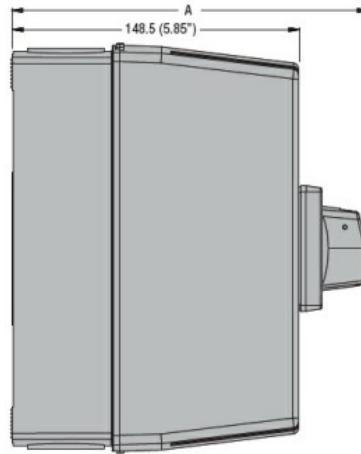
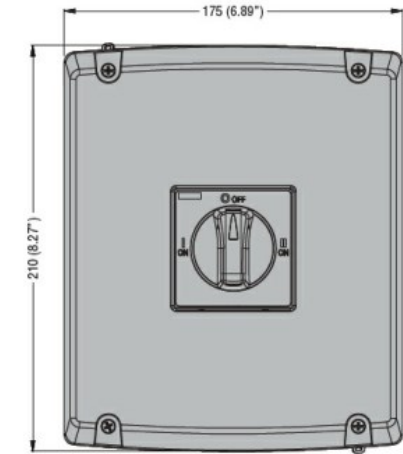


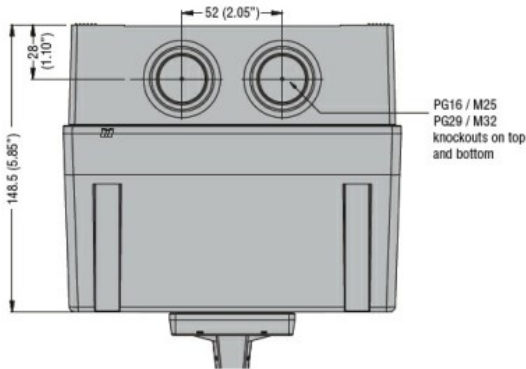
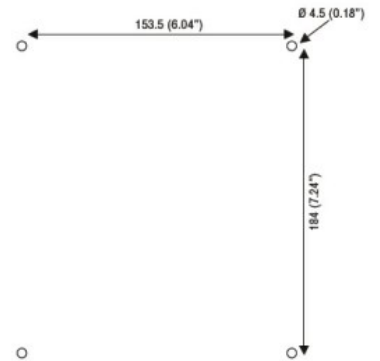


Product designation	Enclosed switch disconnecter		
Product type designation	GAZ		
Number of poles	Nr.	2	
Operating voltage type		DC	
Contact characteristics			
IEC Conventional free air thermal current I _{th}	A	40	
Rated insulation voltage U _i IEC/EN	V	1500	
Rated impulse withstand voltage U _{imp}	kV	8	
Operating current I _e	DC21B		
	600V	A	40
	800V	A	40
	1000V	A	40
	1200V	A	32
	1500V	A	25
Power dissipation per pole max	W	1.9	
Mechanical life	cycles	10000	
Mechanical features			
Operating position	normal allowable	Vertical plan Any	
Terminals	type	Pillar	
	width	mm	5.6
	height	mm	6.5
	screw	M4	
	tool	Phillips 1	
Tightening torque for terminals	min	Nm	1.2
	max	Nm	1.6
	min	lbin	10
	max	lbin	14
Conductor section	IEC min	mm ²	1
	IEC max	mm ²	10
	AWG/kcmil min	18	
	AWG/kcmil max	8	
Ambient conditions			
Operating temperature	min	°C	-25
	max	°C	+55
Storage temperature	min	°C	-40
	max	°C	+70

Max altitude	m	2000
Resistance & Protection		
IP degree of protection	IP65	
Dimensions [mm (in)]		

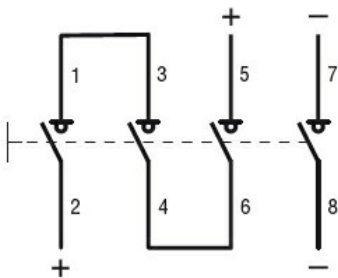


Drilling



Type	A
GAZ032 D...	171.5 (6.75")
GAZ040 D...	171.5 (6.75")
GAZ025 ET...	183.5 (7.22")
GAZ063 SAET...	183.5 (7.22")

Wiring diagrams



Certifications and compliance

Compliance

IEC/EN 60947-1
IEC/EN 60947-3

Certifications

EAC

ETIM classification

ETIM 8.0

EC000216 -
Switch
disconnecter