



Product designation				Power contactor
Product type designation				BF95
Contact characteristics				
Number of poles	Nr.			4
Rated insulation voltage U_i IEC/EN	V			1000
Rated impulse withstand voltage U_{imp}	kV			8
Operational frequency	min	Hz	25	
	max	Hz	400	
IEC Conventional free air thermal current I_{th}	A			140
Operational current I_e	AC-1 ($\leq 40^\circ\text{C}$)	A	140	
	AC-1 ($\leq 55^\circ\text{C}$)	A	115	
	AC-1 ($\leq 70^\circ\text{C}$)	A	100	
	AC-3 ($\leq 440\text{V} \leq 55^\circ\text{C}$)	A	95	
	AC-4 (400V)	A	45	
IEC max current I_e in DC1 with $L/R \leq 1\text{ms}$ with 1 poles in series	$\leq 24\text{V}$	A	140	
	48V	A	140	
	75V	A	100	
	110V	A	10	
	220V	A	-	
IEC max current I_e in DC1 with $L/R \leq 1\text{ms}$ with 2 poles in series	$\leq 24\text{V}$	A	140	
	48V	A	140	
	75V	A	140	
	110V	A	110	
	220V	A	12	
IEC max current I_e in DC1 with $L/R \leq 1\text{ms}$ with 3 poles in series	$\leq 24\text{V}$	A	140	
	48V	A	140	
	75V	A	155	
	110V	A	120	
	220V	A	125	
IEC max current I_e in DC1 with $L/R \leq 1\text{ms}$ with 4 poles in series	$\leq 24\text{V}$	A	140	
	48V	A	140	
	75V	A	155	
	110V	A	140	
	220V	A	140	
IEC max current I_e in DC3-DC5 with $L/R \leq 15\text{ms}$ with 1 poles in series	$\leq 24\text{V}$	A	140	
	48V	A	44	
	75V	A	36	
	110V	A	6	

	220V	A	–
IEC max current I_e in DC3-DC5 with $L/R \leq 15\text{ms}$ with 2 poles in series			
	$\leq 24\text{V}$	A	140
	48V	A	63
	75V	A	60
	110V	A	55
	220V	A	7
IEC max current I_e in DC3-DC5 with $L/R \leq 15\text{ms}$ with 3 poles in series			
	$\leq 24\text{V}$	A	140
	48V	A	115
	75V	A	90
	110V	A	85
	220V	A	76
IEC max current I_e in DC3-DC5 with $L/R \leq 15\text{ms}$ with 4 poles in series			
	$\leq 24\text{V}$	A	140
	48V	A	110
	75V	A	110
	110V	A	105
	220V	A	95
Short-time allowable current for 10s (IEC/EN60947-1)		A	760
Protection fuse			
	gG (IEC)	A	160
	aM (IEC)	A	100
Making capacity (RMS value)		A	1200
Breaking capacity at voltage			
	440V	A	1100
	500V	A	775
	690V	A	745
Resistance per pole (average value)		m Ω	0.45
Power dissipation per pole (average value)			
	I_{th}	W	8.8
	AC3	W	4.1
Tightening torque for terminals			
	min	Nm	6
	max	Nm	7
	min	I_{bin}	4.4
	max	I_{bin}	5.2
Tightening torque for coil terminal			
	min	Nm	0.8
	max	Nm	1
	min	I_{bin}	0.59
	max	I_{bin}	0.74
Conductor section			
	AWG/Kcmil		
	max		2/0
Flexible w/o lug conductor section			
	min	mm ²	1.5
	max	mm ²	70
Flexible c/w lug conductor section			
	min	mm ²	1.5
	max	mm ²	70
Power terminal protection according to IEC/EN 60529			IP20 front

Mechanical features

Operating position

	normal allowable	Vertical plan ±30°
Fixing		Screw / DIN rail 35mm
Weight	g	2420

Conductor section

AWG/kcmil conductor section

max 2/0

Auxiliary contact characteristics

Thermal current I_{th} A 140

Operations

Mechanical life cycles 15000000

Electrical life cycles 1400000

AC coil operating

Rated AC voltage at 50/60Hz V 230

AC operating voltage

of 50/60Hz coil powered at 50Hz pick-up

min %Us 80
max %Us 110

drop-out

min %Us 20
max %Us 55

of 50/60Hz coil powered at 60Hz pick-up

min %Us 85
max %Us 110

drop-out

min %Us 40
max %Us 55

AC average coil consumption at 20°C

of 50/60Hz coil powered at 50Hz

in-rush VA 300
holding VA 20

of 50/60Hz coil powered at 60Hz

in-rush VA 275
holding VA 17

of 60Hz coil powered at 60Hz

in-rush VA 300
holding VA 20

Dissipation at holding ≤20°C 50Hz

W 6.5

Max cycles frequency

Mechanical operation cycles/h 1500

Operating times

Average time for U_s control

in AC

Closing NO

min ms 16
max ms 32

Opening NO

min ms 9
max ms 24

UL technical data

General USE

Contactor

	AC current	A	150
Short-circuit protection fuse, 600V High fault	Short circuit current	kA	100
	Fuse rating	A	200
	Fuse class		J
Standard fault	Short circuit current	kA	10
	Fuse rating	A	250
	Fuse class		RK5

Ambient conditions

Temperature

Operating temperature

min	°C	-50
max	°C	70

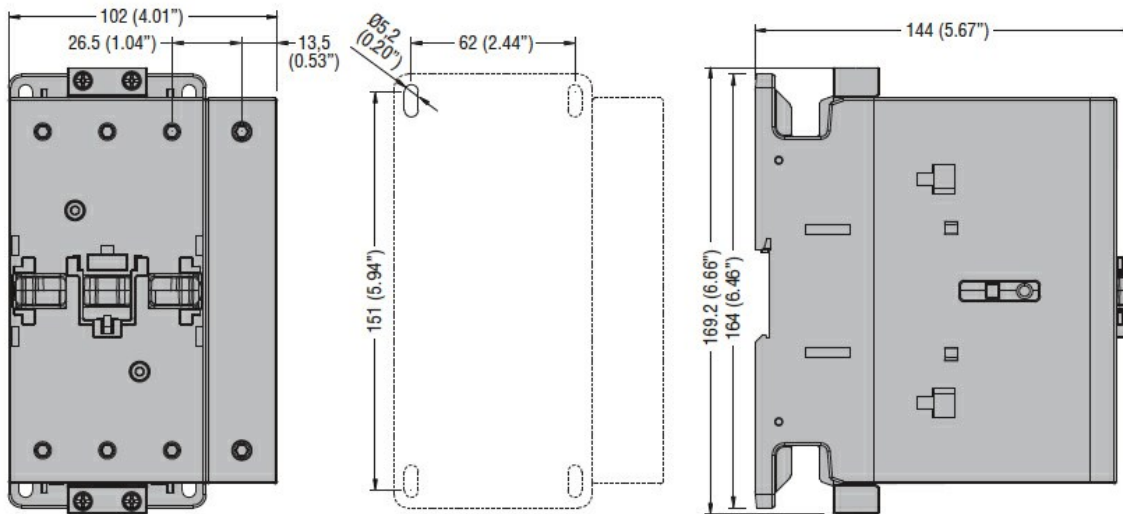
Storage temperature

min	°C	-60
max	°C	+80

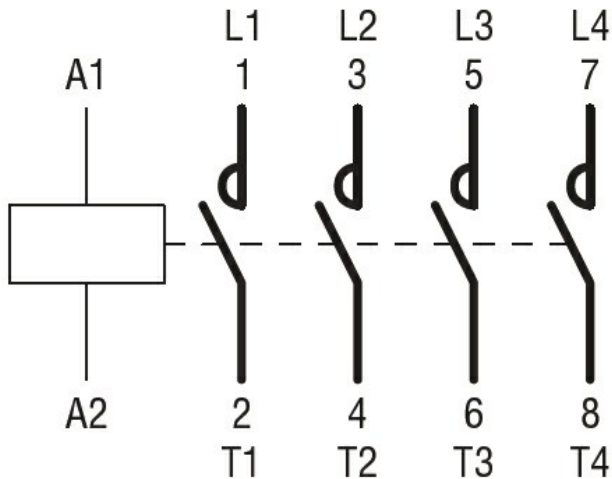
Max altitude

m 3000

Dimensions [mm (in)]



Wiring diagrams



Certifications and compliance

Compliance

- CSA C22.2 n° 60947-1
- CSA C22.2 n° 60947-4-1
- IEC/EN/BS 60947-1
- IEC/EN/BS 60947-4-1
- UL 60947-1
- UL 60947-4-1

Certificates

- CCC
- cULus
- EAC

ETIM classification

ETIM 8.0

EC000066 -
Power contactor,
AC switching