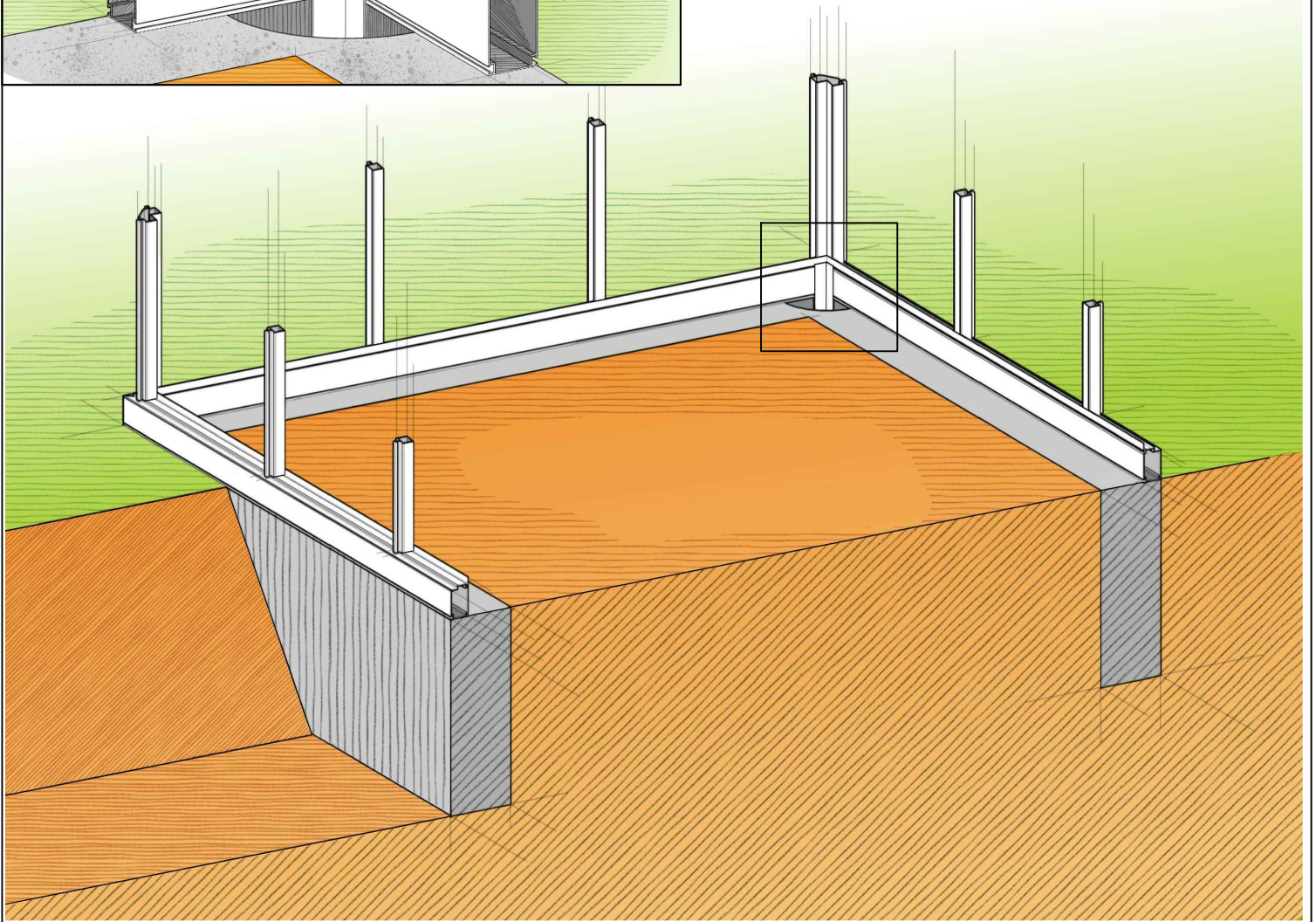
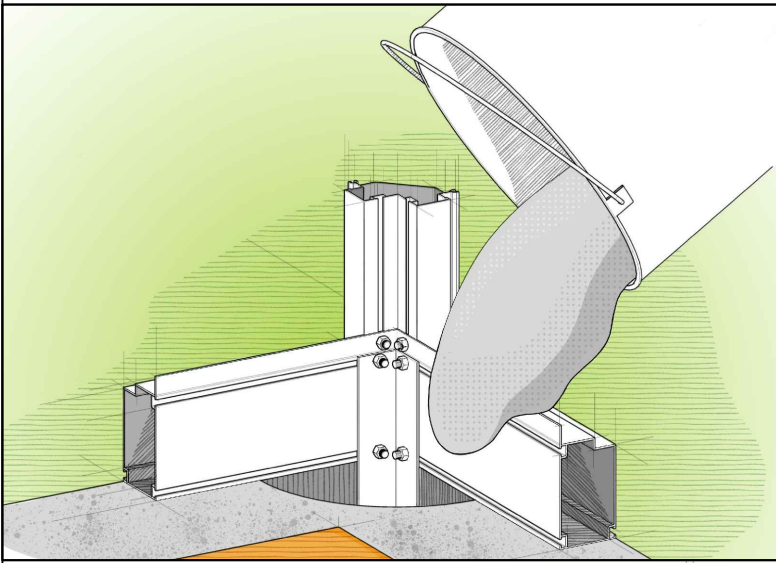
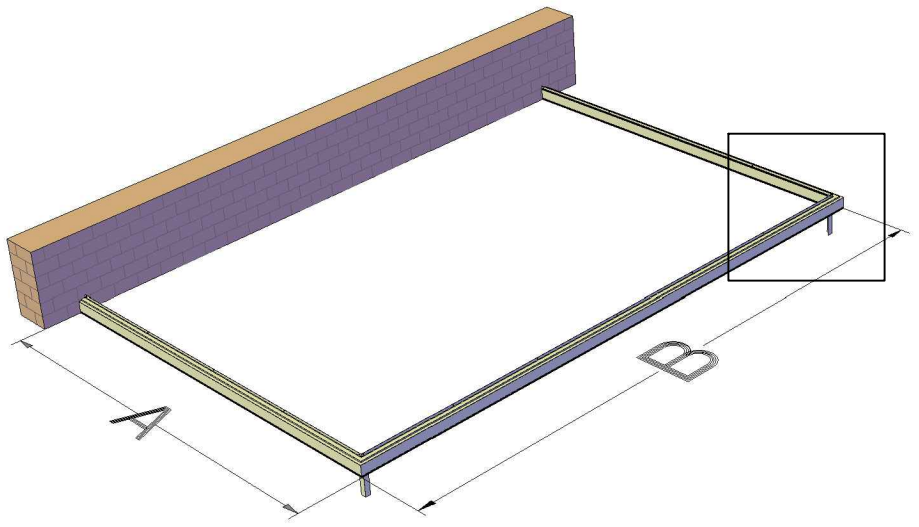
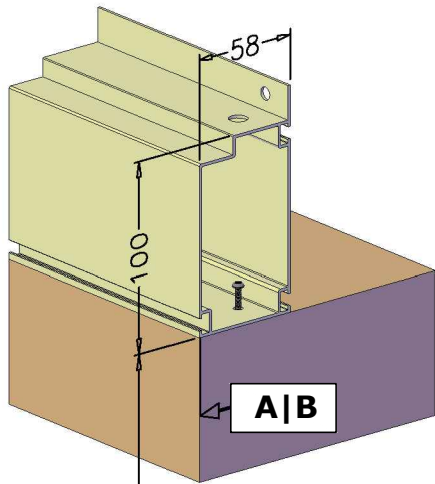


" ARCADIA "

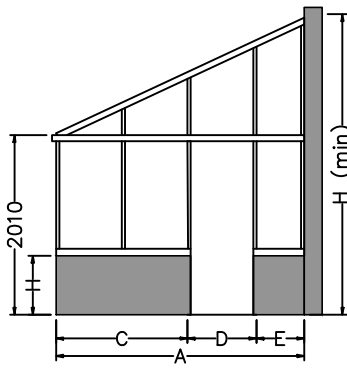
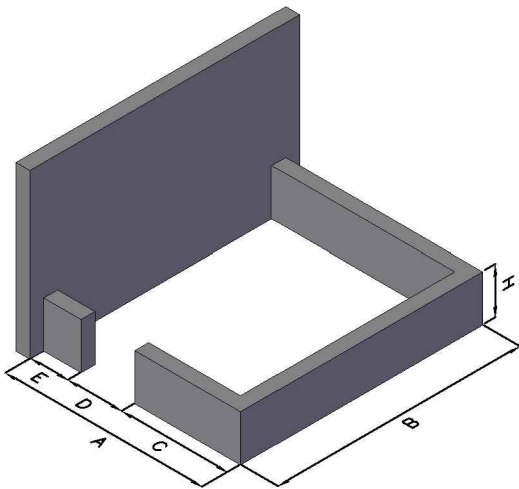
A	X	B
829mm	1.622mm	
1.567mm	2.360mm	
2.305mm	3.098mm	
3.043mm	3.836mm	
	4.574mm	
	5.312mm	
	6.050mm	



" ARCADIA - MUR "

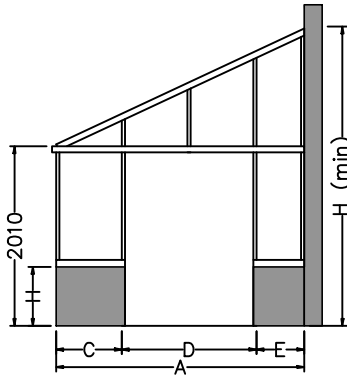


200 | 400
H 600 | 1.025



A = 829 | 1.567 | 2.305
 3.043
B = 1.622 | 2.360 | 3.098
 3.836 | 4.574 | 5.312
 6.050
C = 91 | 829 | 1.567
D = 703
E = 35 | 773 | 1.511

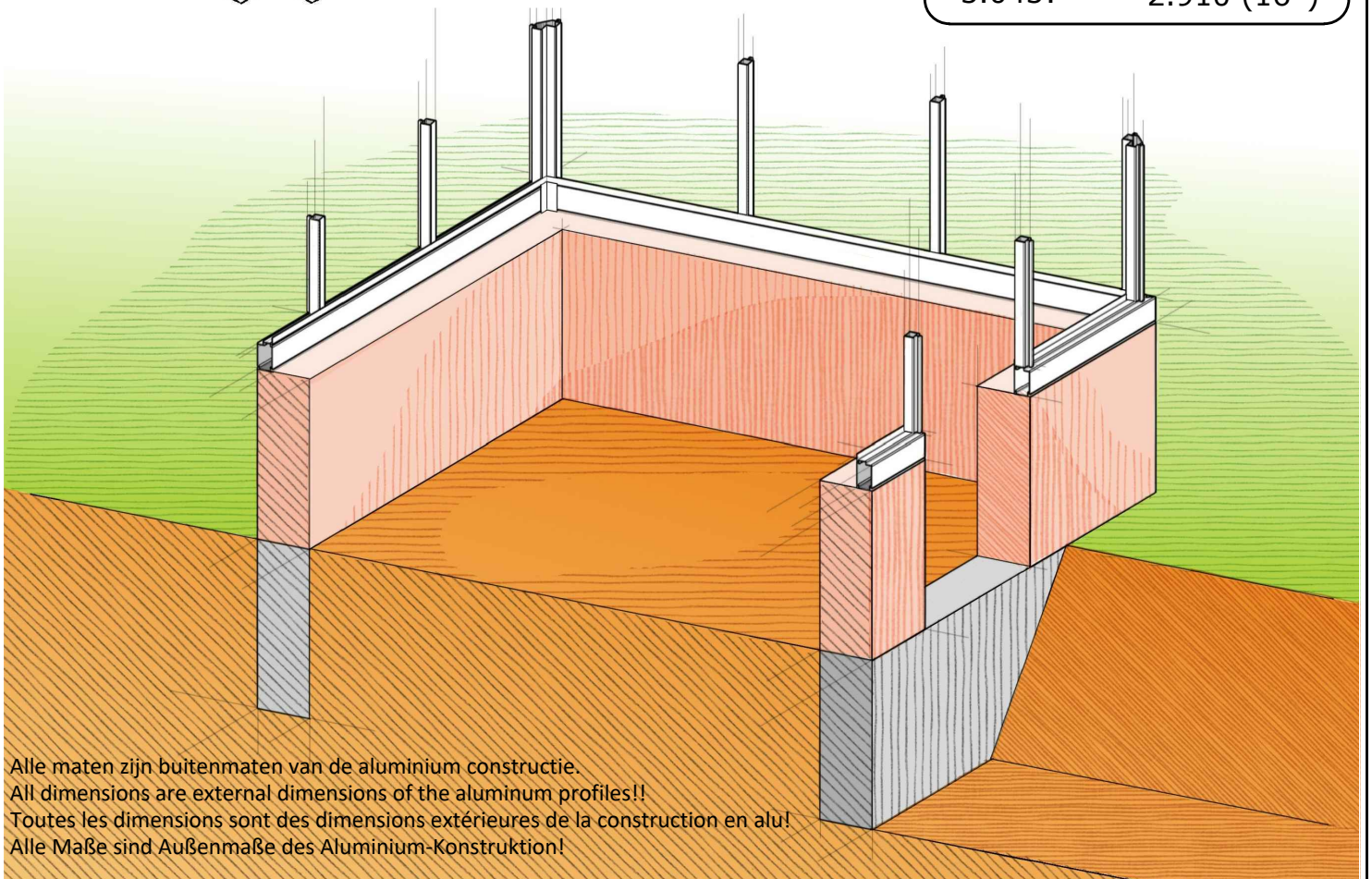
!!! A = C + D + E !!!



A = 1.567 | 2.305 | 3.043
B = 1.622 | 2.360 | 3.098
 3.836 | 4.574 | 5.312
 6.050
C = 91 | 829 | 1.567
D = 1.441
E = 35 | 773

!!! A = C + D + E !!!

A	H (min)
829:	2.420 (25°)
1.567:	2.790 (26°)
2.305:	3.090 (24°)
3.043:	2.910 (16°)



Alle maten zijn buitenmaten van de aluminium constructie.
 All dimensions are external dimensions of the aluminum profiles!!
 Toutes les dimensions sont des dimensions extérieures de la construction en alu!
 Alle Maße sind Außenmaße des Aluminium-Konstruktion!