

EOS ROYAL MUR

Exaco

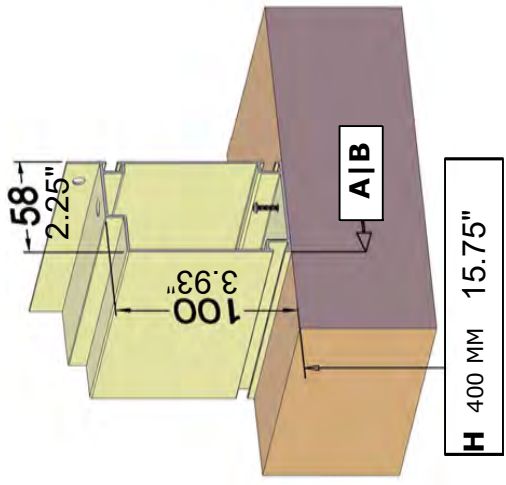
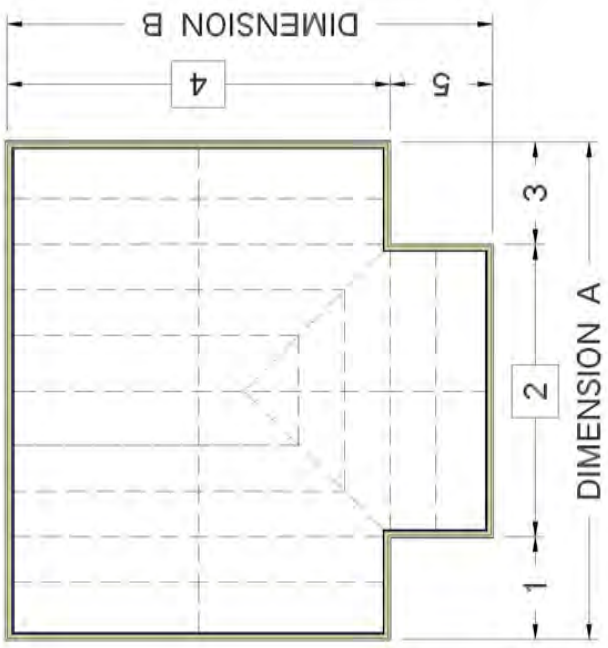
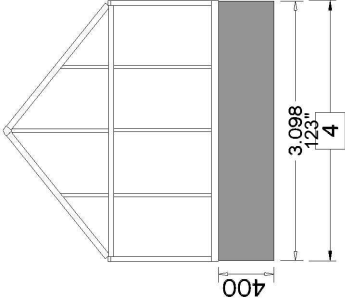
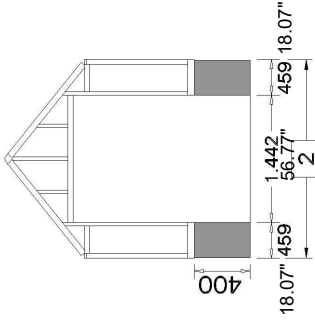
www.exaco.com

Need help?

877-760-8500

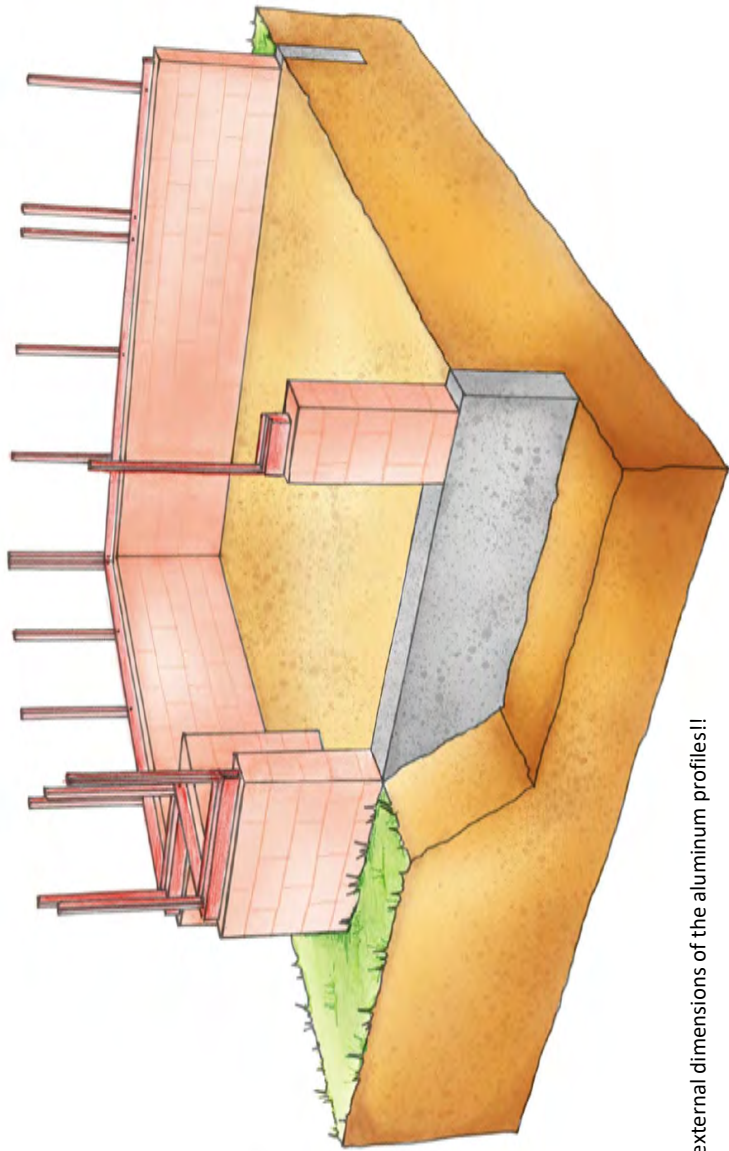
customerservice@exaco.com

" ROYAL T MUR "



ROYAL T MUR

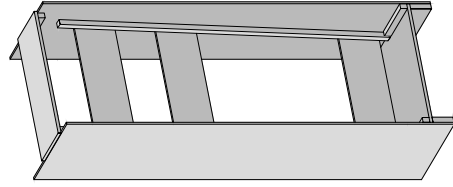
A	1	829mm / 32.6"	A
= 1+2+3	2	2360mm / 92.9"	= 4018
	3	829mm / 32.6"	158.2"
B	4	3098mm / 123"	B
= 4+5	5	829mm / 32.6"	= 3927
			154.6"



All dimensions are external dimensions of the aluminum profiles!!

PALLET 1 ROYAL T MUR

WEIGHT: 342 KG
DIMENSIONS: 800 x 900 x 2200 MM



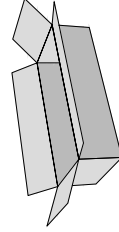
ITEM	PC
ROOFWINDOW	4 PC
BAG_SILICONE	1 PC
DOUBLE TURNING DOOR	1 PC
SPANDREL	10 PC
RIDGE DECORATION (BOX)	2 + 1 PC
LOUVRE VENT	2 PC
BAG_GLASS SPACERS (80 PCS)	2 PC

ITEM	PC
PRO6120 FOUNDATION PROFILE	459 MM L PC
PRO6120 FOUNDATION PROFILE	459 MM R PC
PRO20229 HORIZONTAL GABLE PROF	401 MM 2 PC
PROI456 GLAZING BAR	1005MM 4 PC
PROI456 GLAZING BAR	603 MM 2 PC
PROI456 GLAZING BAR	203 MM 2 PC
PROI456 GLAZING BAR	472 MM L PC
PROI456 GLAZING BAR	472 MM R PC
PROI456 GLAZING BAR	645 MM L PC
PROI456 GLAZING BAR	645 MM R PC
PROI456 GLAZING BAR	1075 MM L PC
PROI456 GLAZING BAR	1075 MM R PC
PROI456 GLAZING BAR	900 MM L PC
PROI456 GLAZING BAR	900 MM R PC
PROI456 GLAZING BAR	1408 MM L PC
PROI456 GLAZING BAR	1408 MM R PC

POSITION	GLAS DIMENSIONS	PC
ROOF	450 X 1850 MM	2 PC
ROOF	361 X 1850 MM	4 PC
ROOF	361 X 1450 MM	4 PC
ROOF	361 X 1020 MM	8 PC
ROOF	730 X 825 MM	4 PC
MODEL RT8	361 X 1391 X 1850 MM (*32 MM)	2 PC
MODEL RT7	361 X 890 X 1392 MM	2 PC
MODEL RT6	361 X 1065 X 1450 MM (*35 MM)	2 PC
MODEL RT5	361 X 640 X 1066 MM	2 PC
MODEL RT2	432 X 287 X 882 MM	2 PC
TRIANGLE RT1	625 X 545 MM	2 PC
MODEL E11	361 X 888 X 1090 MM (*75 MM)	4 PC
MODEL E10	361 X 620 X 882 MM	4 PC
MODEL E9	361 X 351 X 614 MM	4 PC
MODEL E8	361 X 83 X 348 MM	4 PC
MODEL R3	361 X 490 X 710 MM (*70 MM)	2 PC
MODEL R2	361 X 186 X 480 MM	2 PC
MODEL E6	361 X 85 X 379 MM	2 PC

COLLI 2 ROYAL T MUR

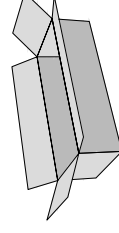
WEIGHT: 19 KG
DIMENSIONS: 240 x 200 x 2600 MM



ITEM	PC
PRO6120 FOUNDATION PROFILE	2009 MM L PC
PRO6120 FOUNDATION PROFILE	2009 MM R PC
PRO6120 FOUNDATION PROFILE	829 MM L 2 PC
PRO6120 FOUNDATION PROFILE	829 MM R 2 PC
PRO20779 GUTTER PROFILE	2009 MM L PC
PRO20779 GUTTER PROFILE	2009 MM R PC

COLLI 4 ROYAL T MUR

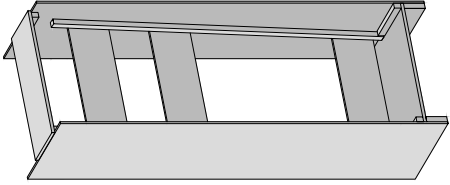
WEIGHT: 17 KG
DIMENSIONS: 300 x 120 x 2600 MM


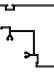
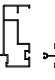
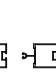
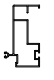





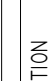




ITEM	PC
PRO4009I RIDGE PROFILE	2009 MM 2 PC
RIDGE ROYAL-T	1 PC
SPANDREL	1 PC
U 30X30X30	1500 MM PC
K 30X30	1500 MM PC

PALLET 2 ROYAL T MUR

WEIGHT: 3¼ KG
DIMENSIONS: 800 X 900 X 2200 MM

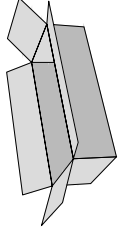


ITEM	PC
 PRO6578 CORNER PROFILE	1230 MM 6 PC
 PRO40633 INNER CORNER PROFILE	1230 MM 2 PC
 PRO6918 ENDBAR ROOF	1830 MM 4 PC
 PRO456 GLAZING BAR	1830 MM 9 PC
 PRO456 GLAZING BAR	1230 MM 25 PC
 PRO6918 ENDBAR ROOF	1430 MM 2 PC
 PRO456 GLAZING BAR	1430 MM 4 PC
 PRO10980 ROUND TUBE Ø40	1700 MM 4 PC
 TRE WIND BRACINGS SIDES	1975 MM 2 PC
 TRE WIND BRACINGS SIDES	1437 MM 10 PC
 TRE WIND BRACINGS SIDES	1286 MM 2 PC
 TRE WIND BRACINGS SIDES	1611 MM 2 PC
 PRO1748 RUBBER	12,5 M/ROL 13 PC

POSITION	GLAS DIMENSIONS	PC
GABLE	557 X 1748 MM	2 PC
GABLE	361 X 1250 MM	30 PC
GABLE	450 X 1250 MM	2 PC
GABLE	361 X 225 MM	4 PC

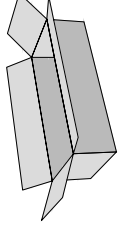
COLLI 1 ROYAL T MUR

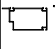
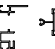
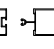
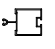
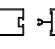
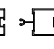
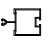




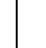
WEIGHT: 26 KG
DIMENSIONS: 240 X 140 X 2600 MM


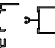
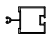
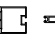
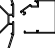



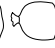


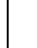


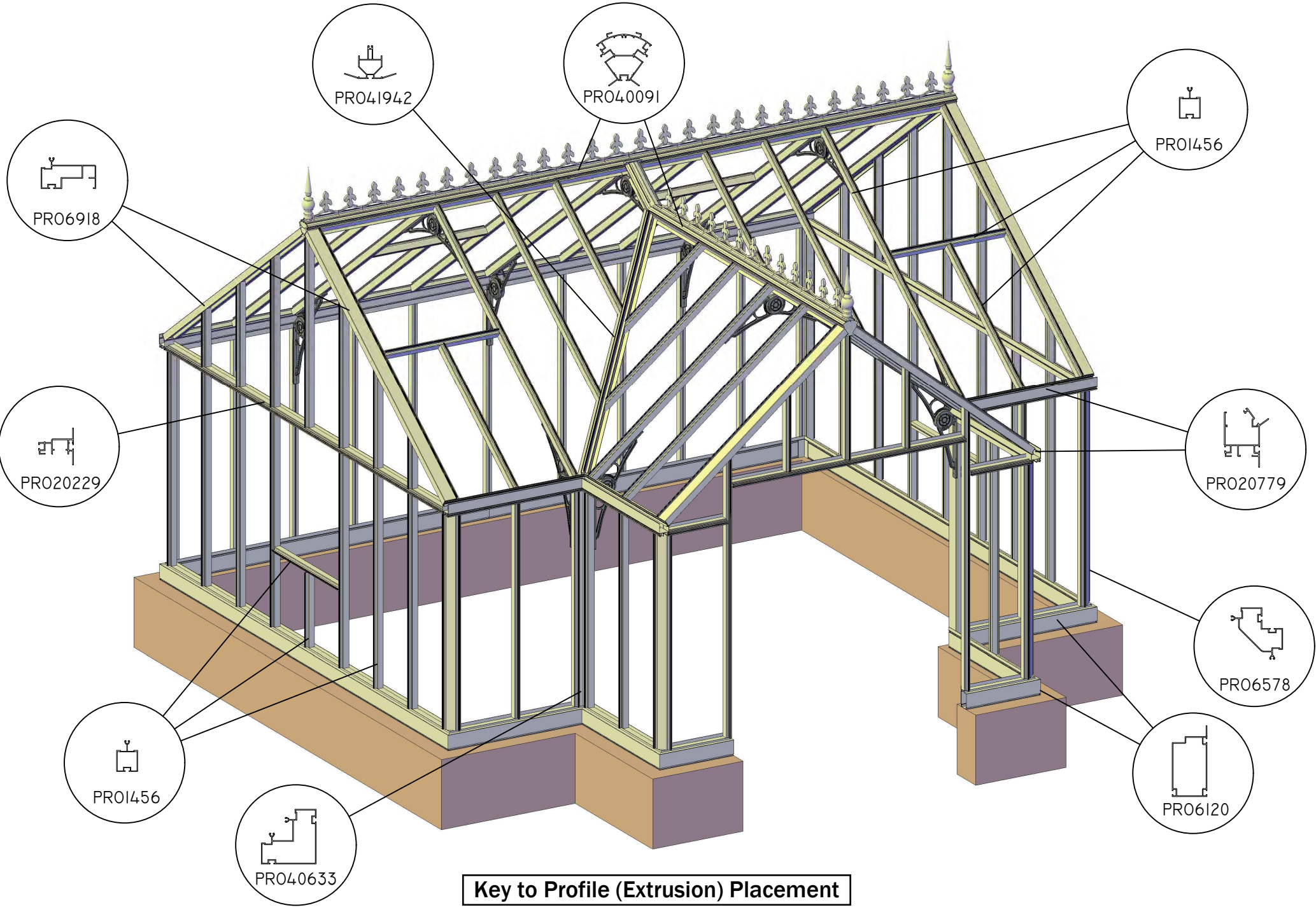
COLLI 3 ROYAL T MUR

WEIGHT: 25 KG
DIMENSIONS: 240 X 200 X 2600 MM

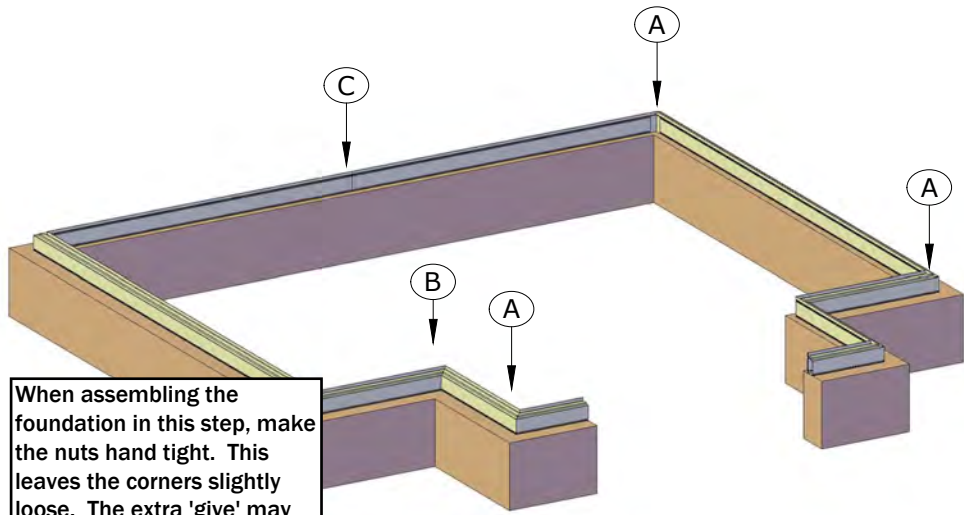


ITEM	PC
 PRO6120 FOUNDATION PROFILE	3098 MM 2 PC
 PRO20229 HORIZONTAL GABLE PROF	2982 MM 2 PC
 PRO1456 GLAZING BAR	1090 MM 2 PC
 PRO1456 GLAZING BAR	871 MM L 2 PC
 PRO1456 GLAZING BAR	871 MM R 2 PC
 PRO1456 GLAZING BAR	602 MM L 2 PC
 PRO1456 GLAZING BAR	602 MM R 2 PC
 PRO1456 GLAZING BAR	334 MM L 2 PC
 PRO1456 GLAZING BAR	334 MM R 2 PC
 PRO21214 WIND BRACING GABLE	Ø 19 MM 2 PC
 TRE WIND BRACINGS SIDES	2365 MM 2 PC
 SAPAK_E0S	1 PC
L 40X40 GATFUND	400 MM 4 PC
E400330 GLAZING RUBBER	20 M/ROL 1 PC

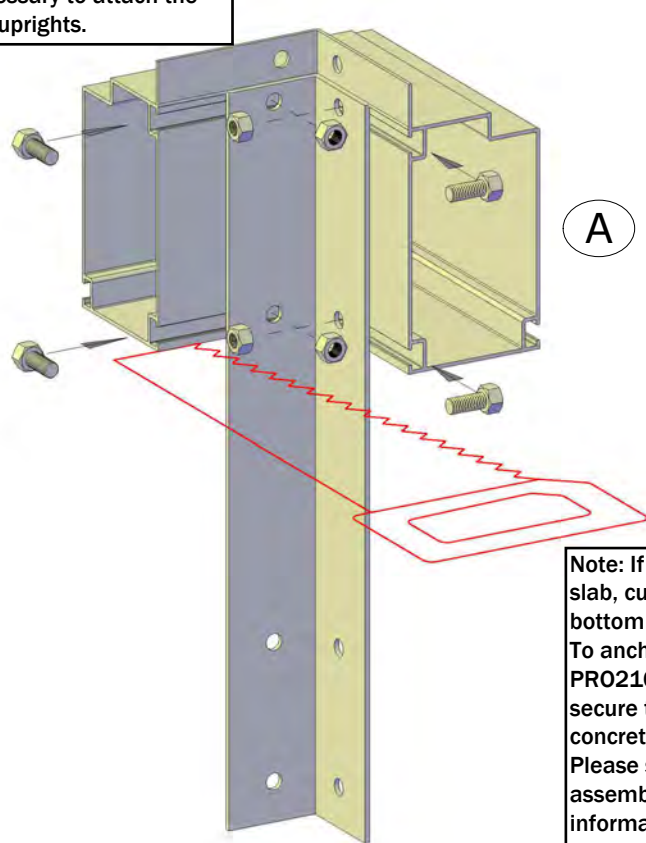
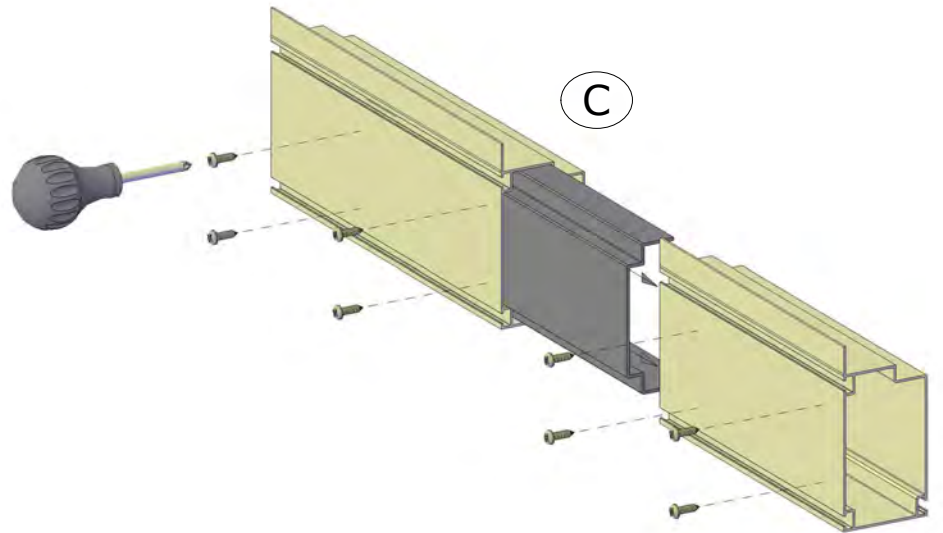
ITEM	PC
 L 30 X 60	1930 MM 1 PC
 PRO20229 HORIZONTAL GABLE PROF	1511 MM 1 PC
 PRO1456 GLAZING BAR	2026 MM L 1 PC
 PRO1456 GLAZING BAR	2026 MM R 1 PC
 PRO1456 GLAZING BAR	718 MM 1 PC
 PRO41942 VALLEY ROOFBEEH	1942 MM 2 PC
 PRO20779 GUTTER PROFILE	829 MM L 2 PC
 PRO20779 GUTTER PROFILE	829 MM R 2 PC
 L 40X40 GATFUND	400 MM 4 PC
 PRO2290 HEAVY RUBBER	2500 MM 2 PC
 ZAK T-MODEL	1 PC
 SAPAK ROYAL-T 236	1 PC
BAG BOLTS_NUTS	7 PC



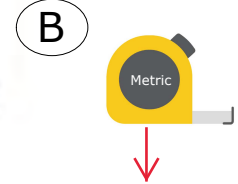
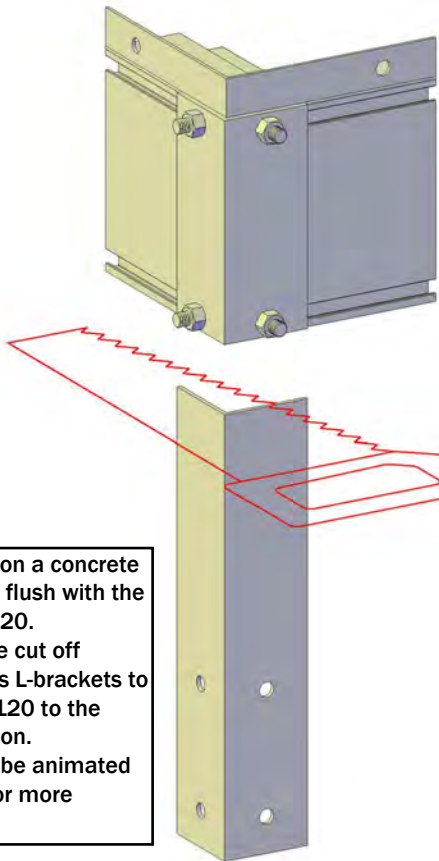
Key to Profile (Extrusion) Placement



When assembling the foundation in this step, make the nuts hand tight. This leaves the corners slightly loose. The extra 'give' may be necessary to attach the corner uprights.

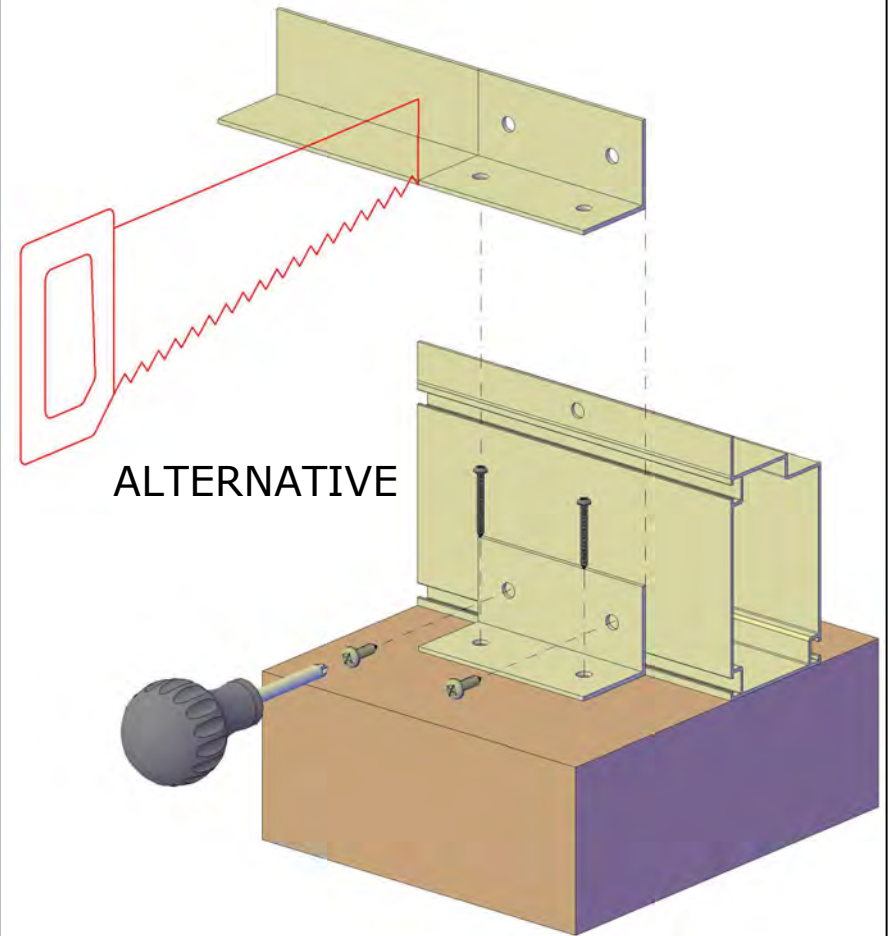
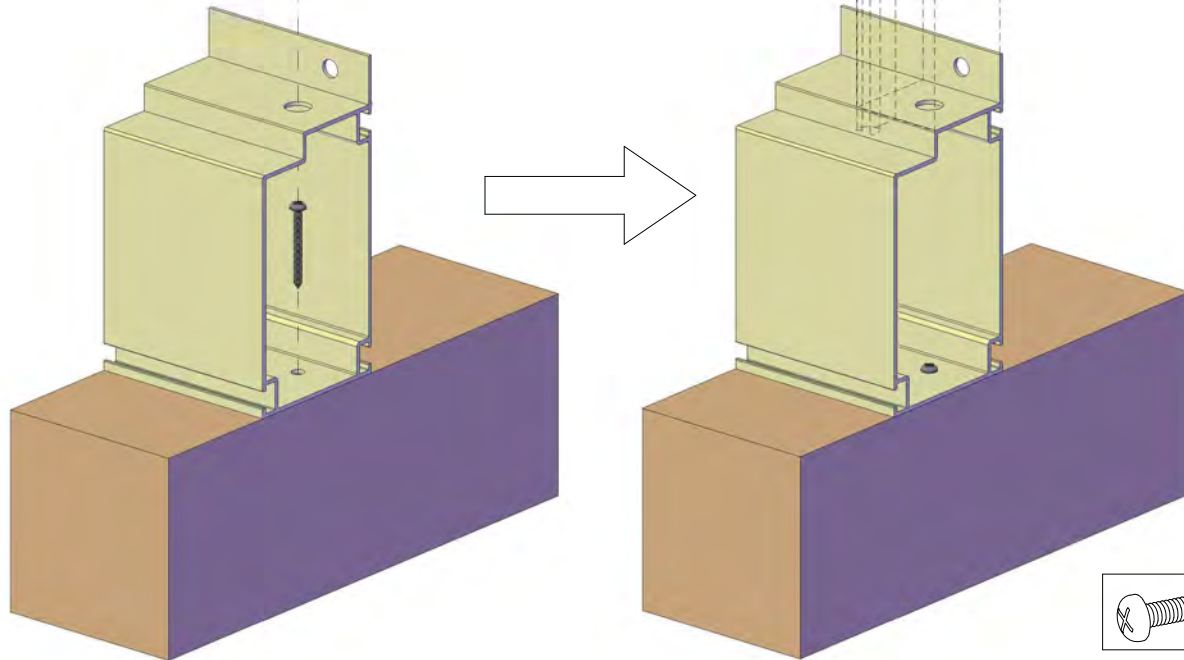
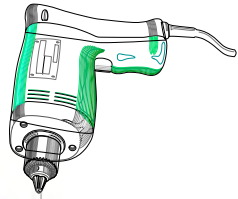
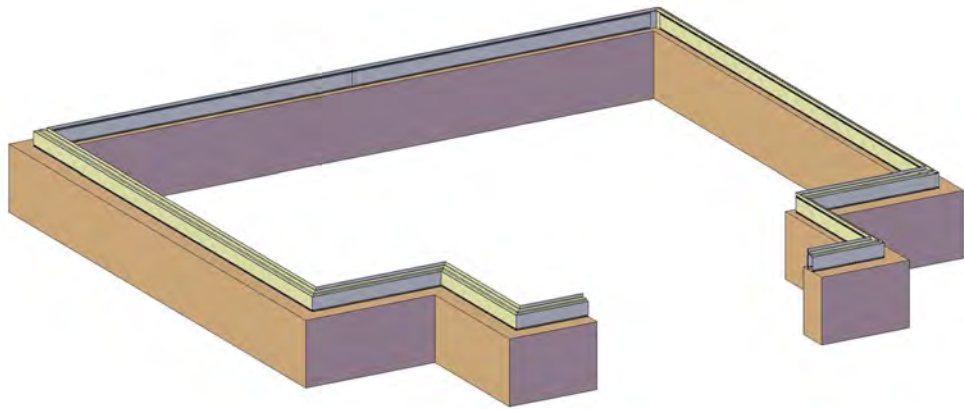


Note: If installing on a concrete slab, cut PRO210 flush with the bottom of PRO6120. To anchor, use the cut off PRO210 pieces as L-brackets to secure the PRO6120 to the concrete foundation. Please see YouTube animated assembly video for more information.

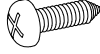
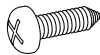


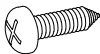
Tip: Exaco recommends that you use a tape measure to distinguish between similar looking pieces of different lengths. Your greenhouse was manufactured in Europe, all measurements will be listed in **millimeters**. To convert millimeters to inches divide by 25.4.

	ITEM	PC.	L
	PRO210	8 PC	400 MM
	PRO6120	1+1 PC	2.010 MM
	PRO6120	1+1 PC	459 MM
	PRO6120	2 PC	3.098 MM
	PRO6120	2+2 PC	829 MM
		1 PC	600 MM
	M6x15	32 PC	
		8 PC	

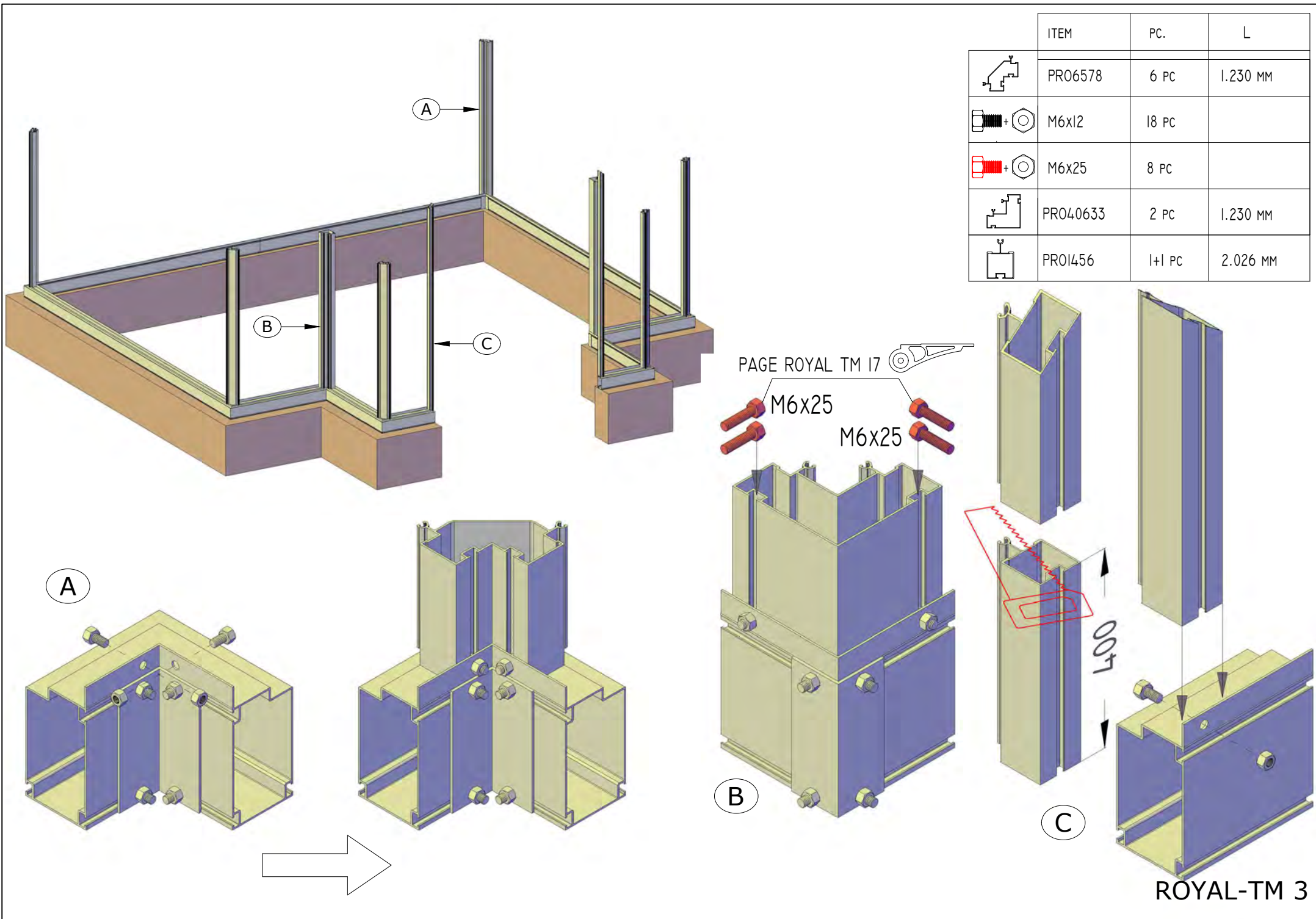


ALTERNATIVE

ITEM	PC.	L
 OPTION	16 pc.	
 OPTION	16 pc.	

ITEM	PC.	L
	18 pc.	

ROYAL TM 2



A

A

B

C

PAGE ROYAL TM 17

M6x25

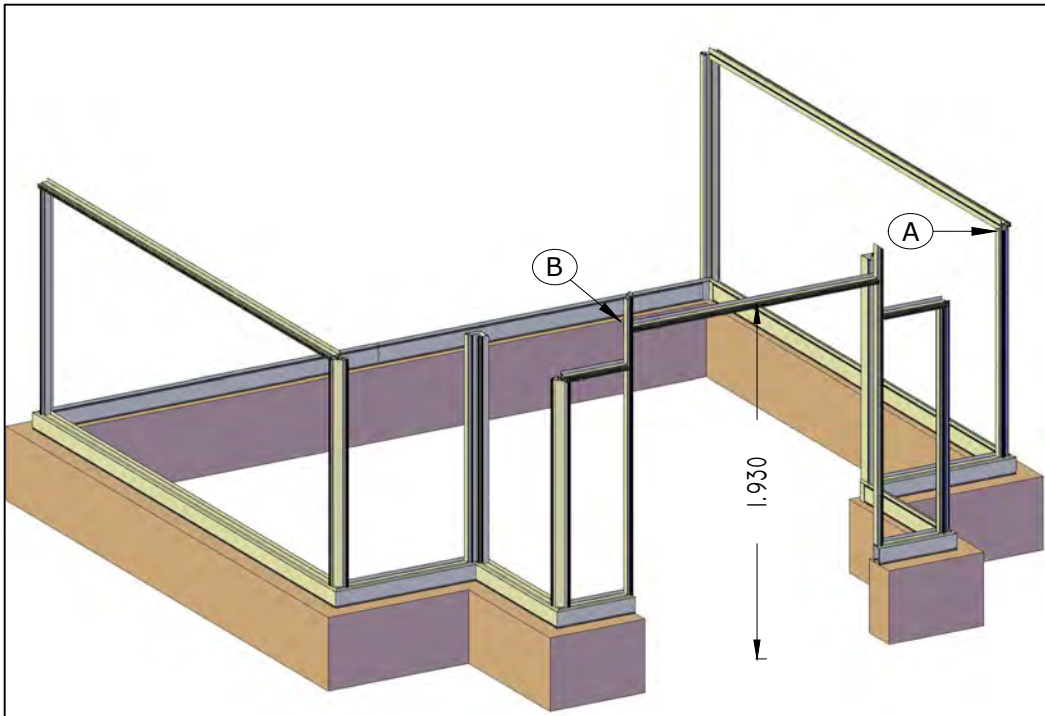
M6x25


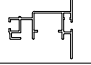
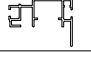
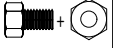
B

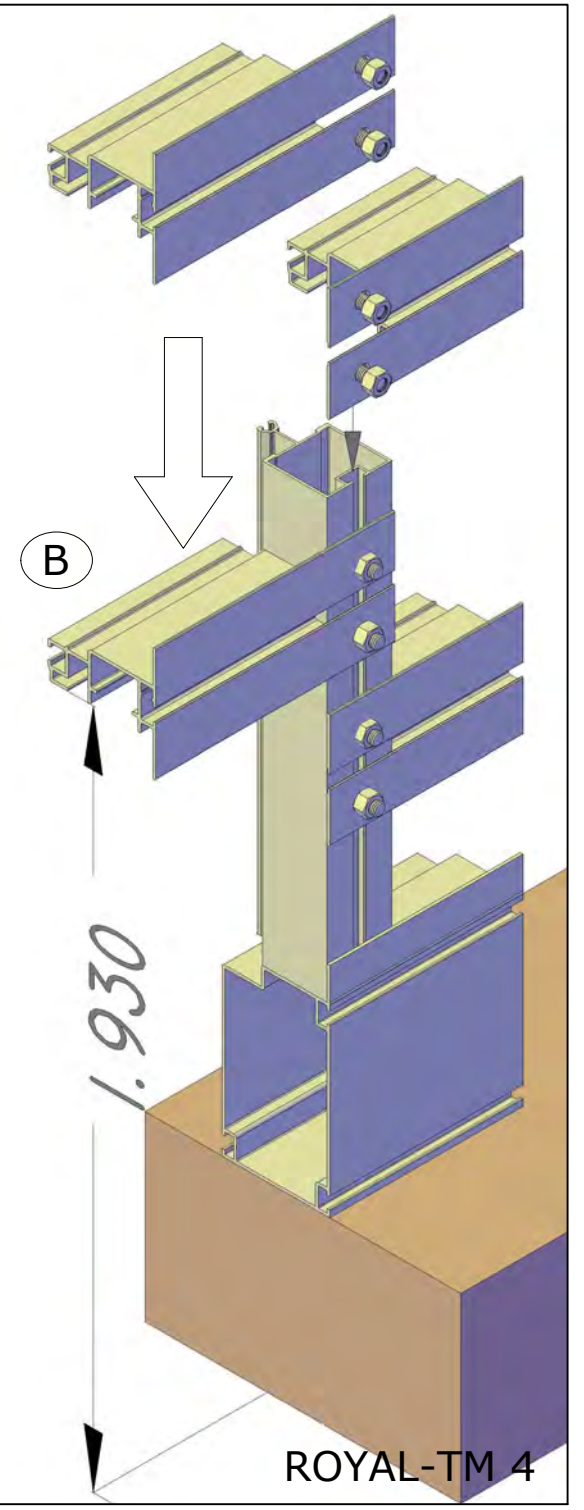
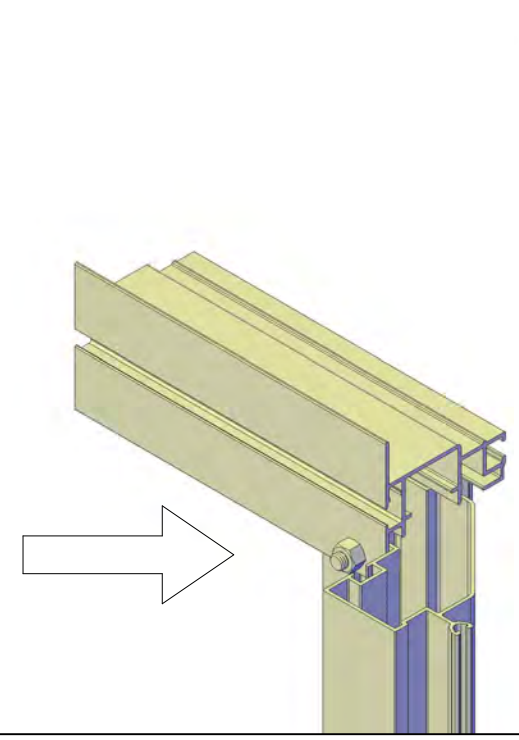
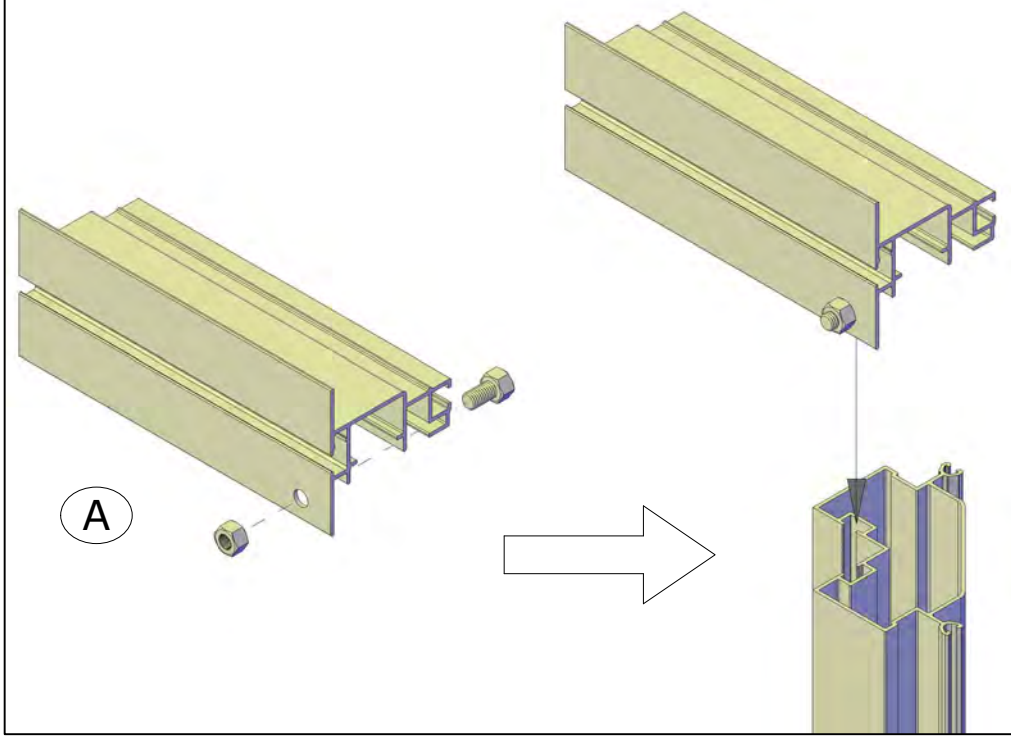
C

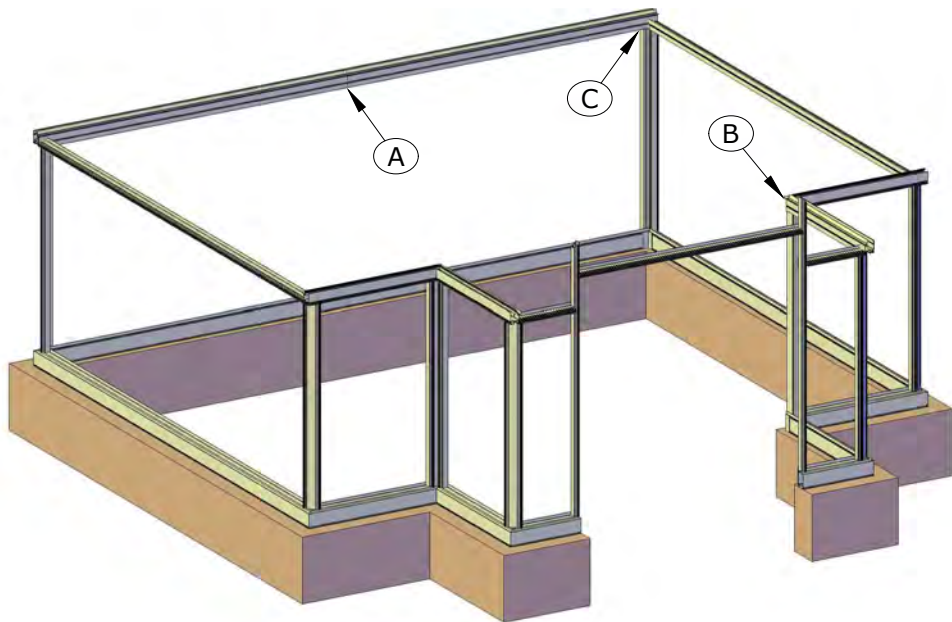
ROYAL-TM 3

007

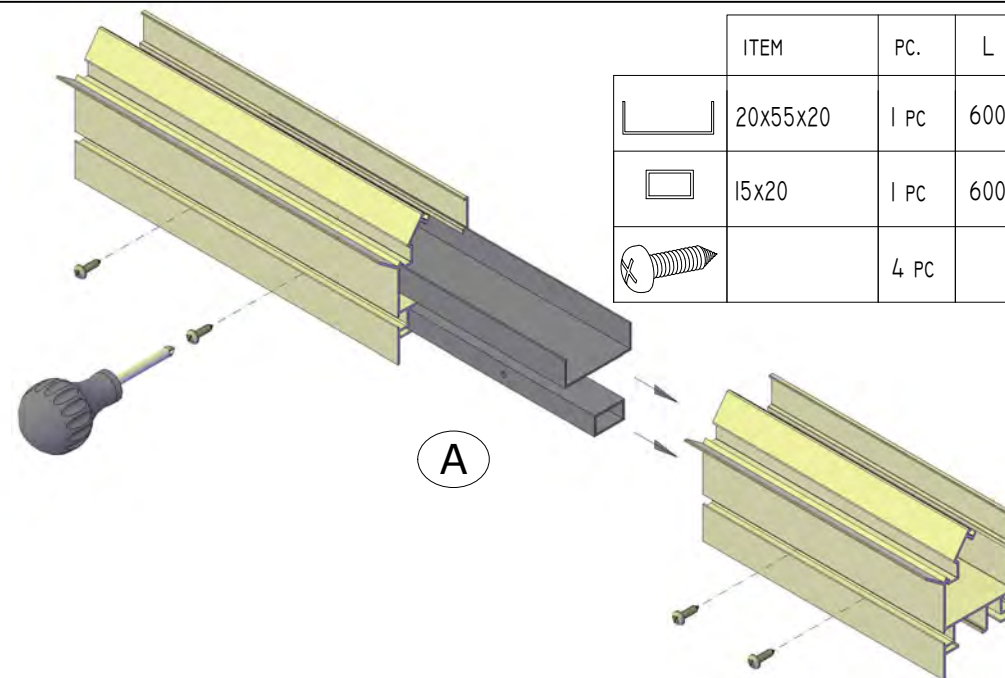


ITEM	PC.	L
 PRO20229	2 PC	2.982 MM
 PRO20229	1 PC	1.511 MM
 PRO20229	1+1 PC	401 MM
 M6X12	14 PC	



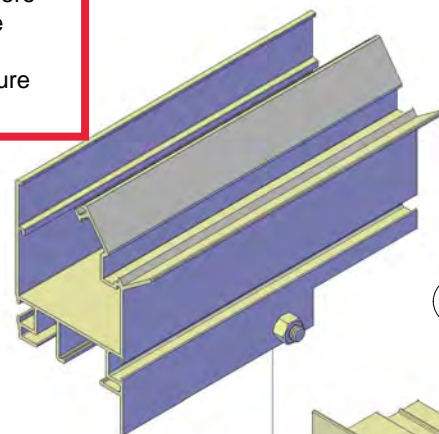
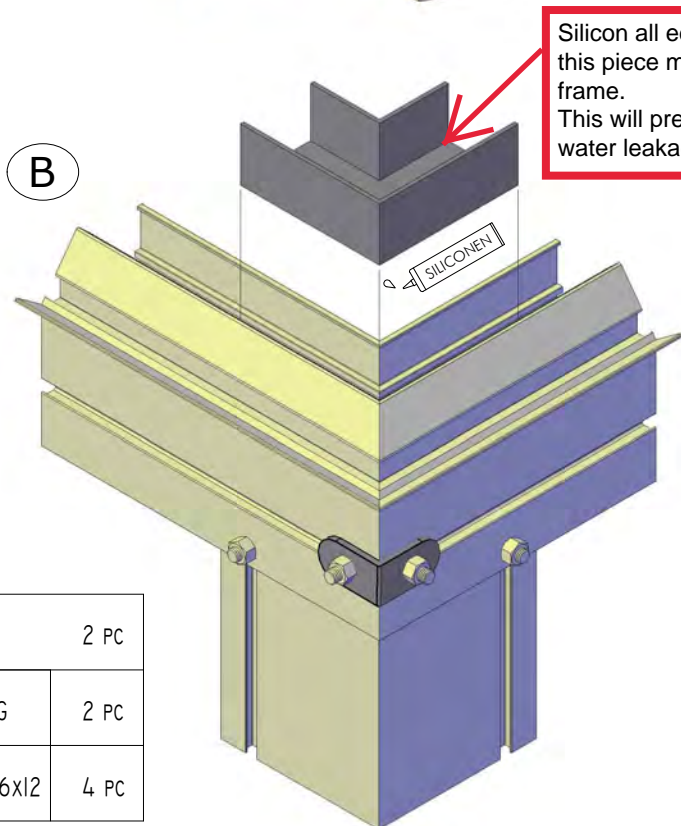


ITEM	PC.	L
	1 PC	600 MM
	1 PC	600 MM
	4 PC	

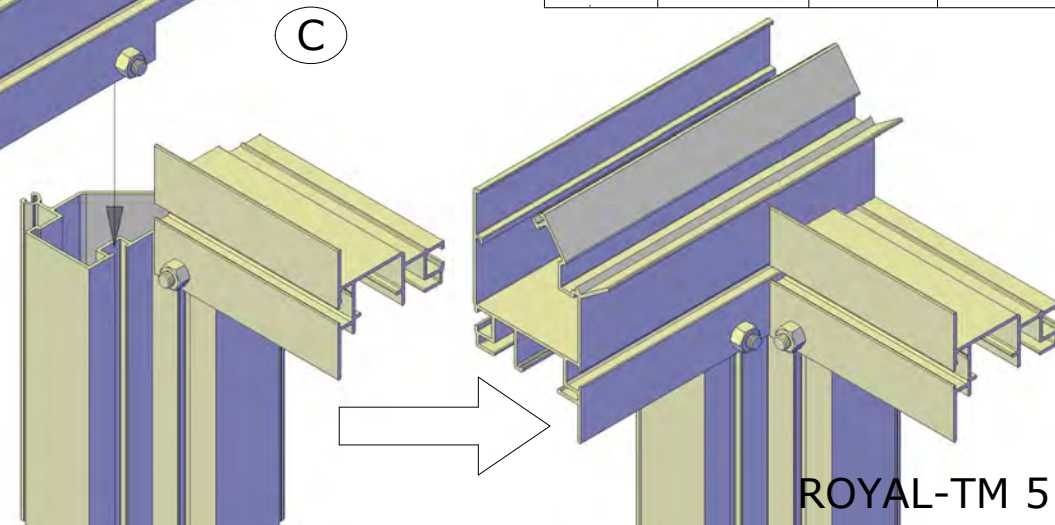


ITEM	PC.	L
	1+1 PC	2.010 MM
	2+2 PC	829 MM
	10 PC	

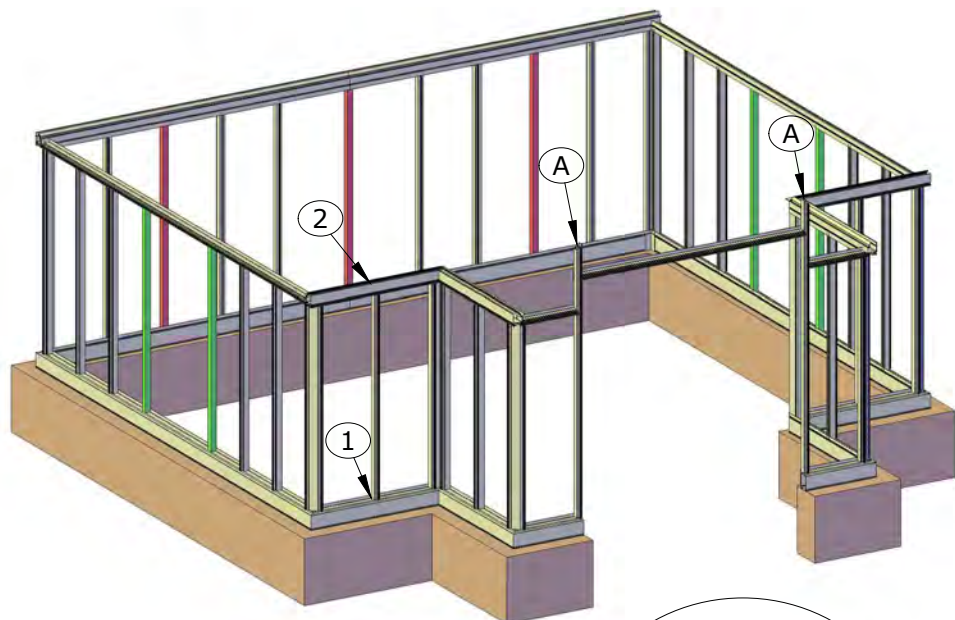
Silicon all edges where this piece meets the frame. This will prevent future water leakage.



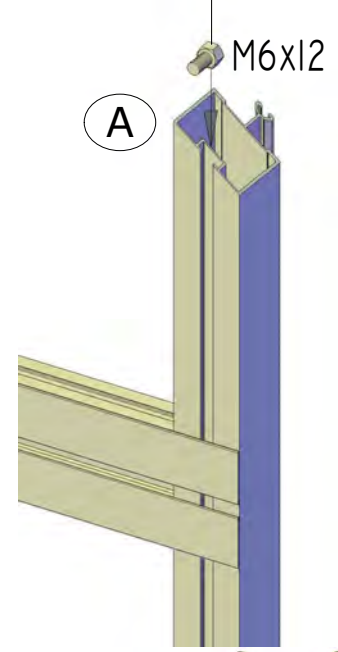
		2 PC
	LG	2 PC
	M6x12	4 PC



ROYAL-TM 5



PAGE ROYAL TM 14



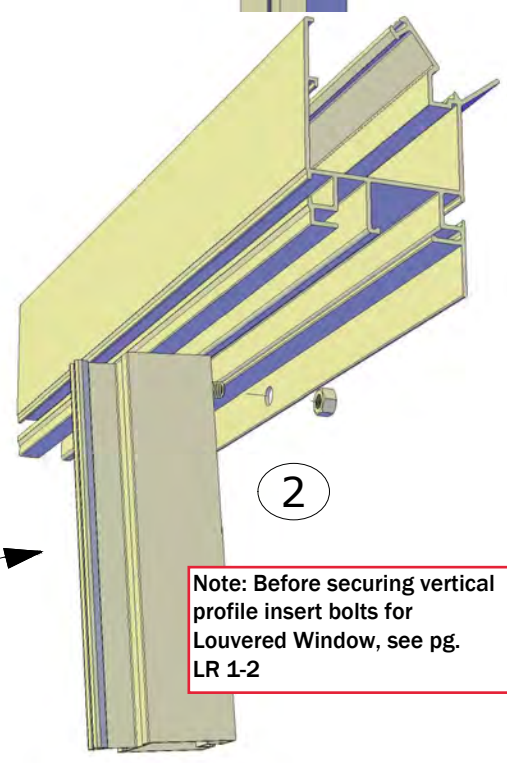
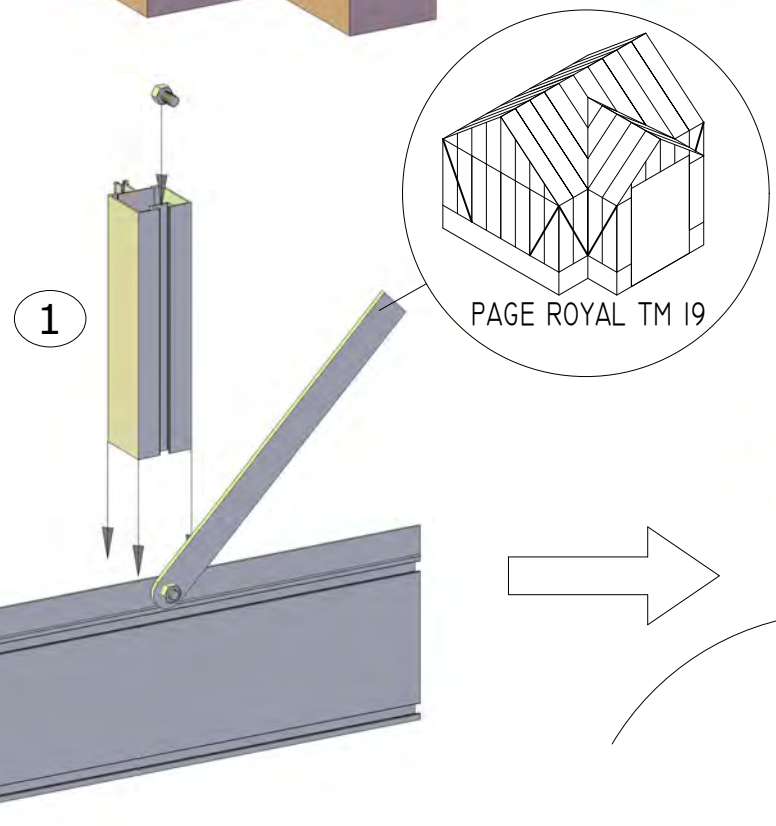
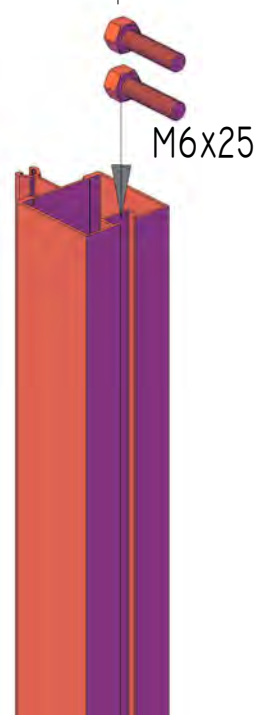
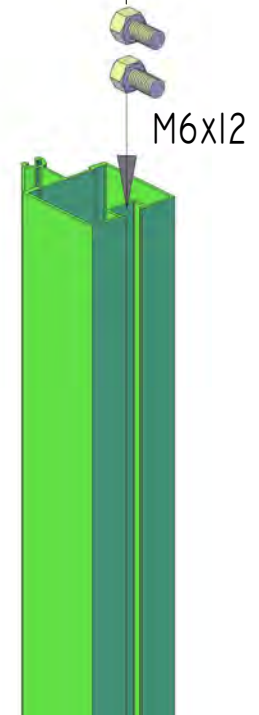
	ITEM	PC.	L
	PROI456	25 PC	1.230 MM
	M6x12	50+8+2 PC	
	M6x25	6 PC	

Louvre Window - Install in locations along the back wall outlined in green. May install in locations outlined in red only if a seed tray is not present.

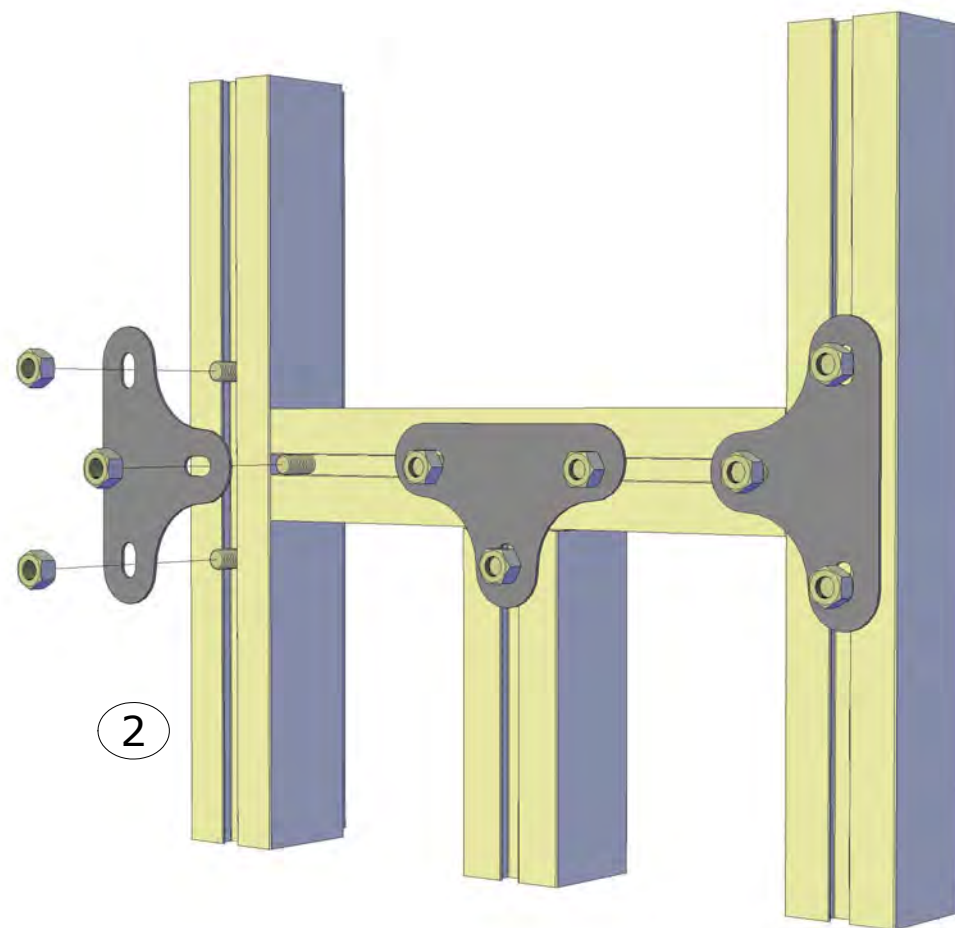
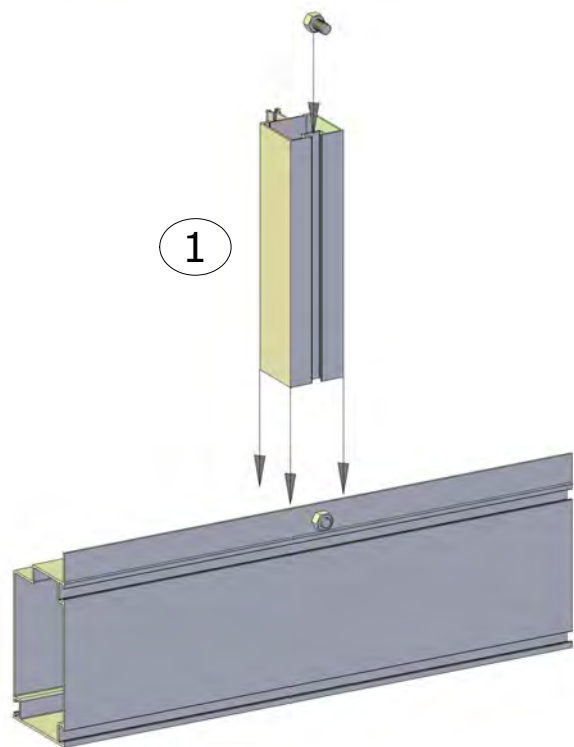
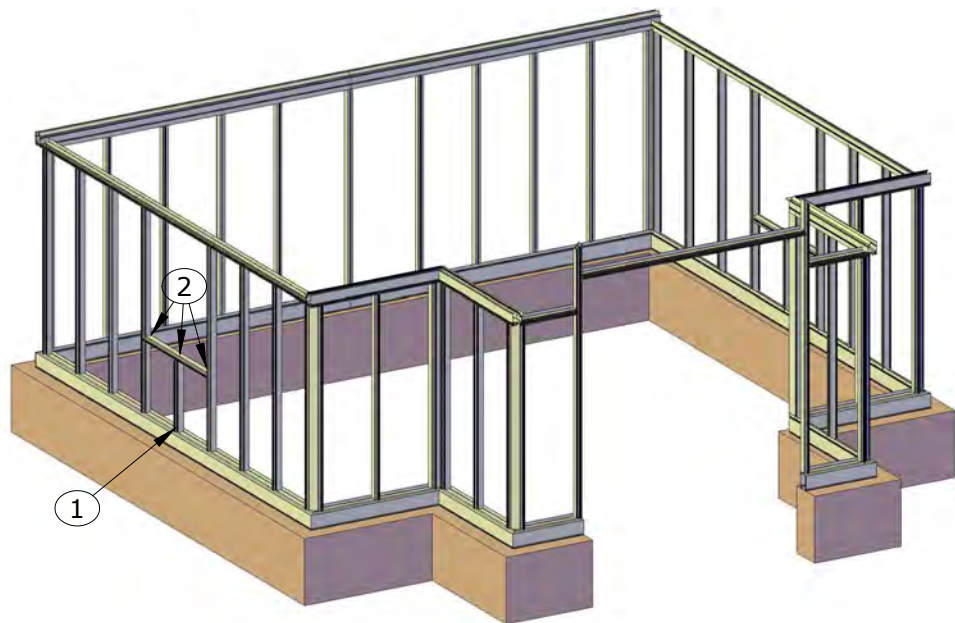
Seed Tray - Install in either of the locations outlined in red. Do not install a Louvre window in the same location.

PAGE ROYAL TM 7

PAGE ROYAL TM 17

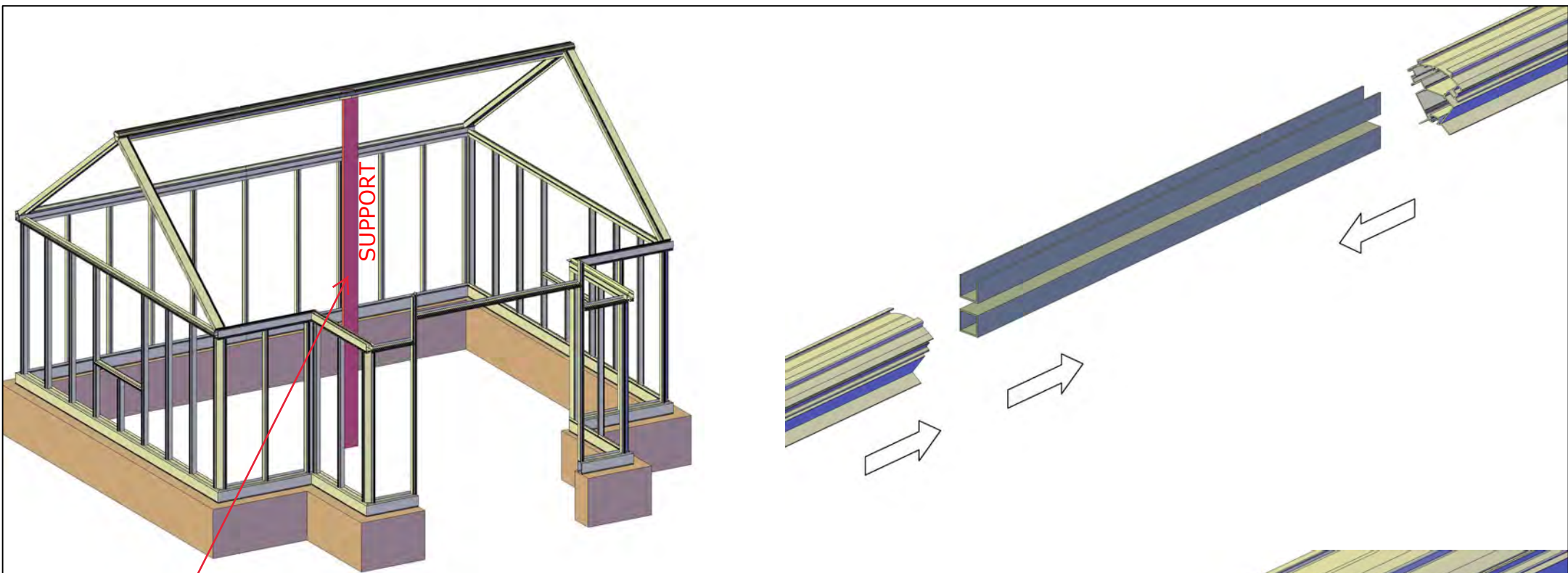


ROYAL-TM 6

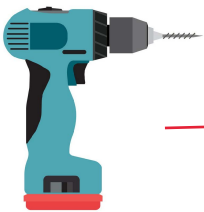


	ITEM	PC.	L
	PROI456	2 PC	203 MM
	PROI456	2 PC	703 MM
	M6x12	12 PC	

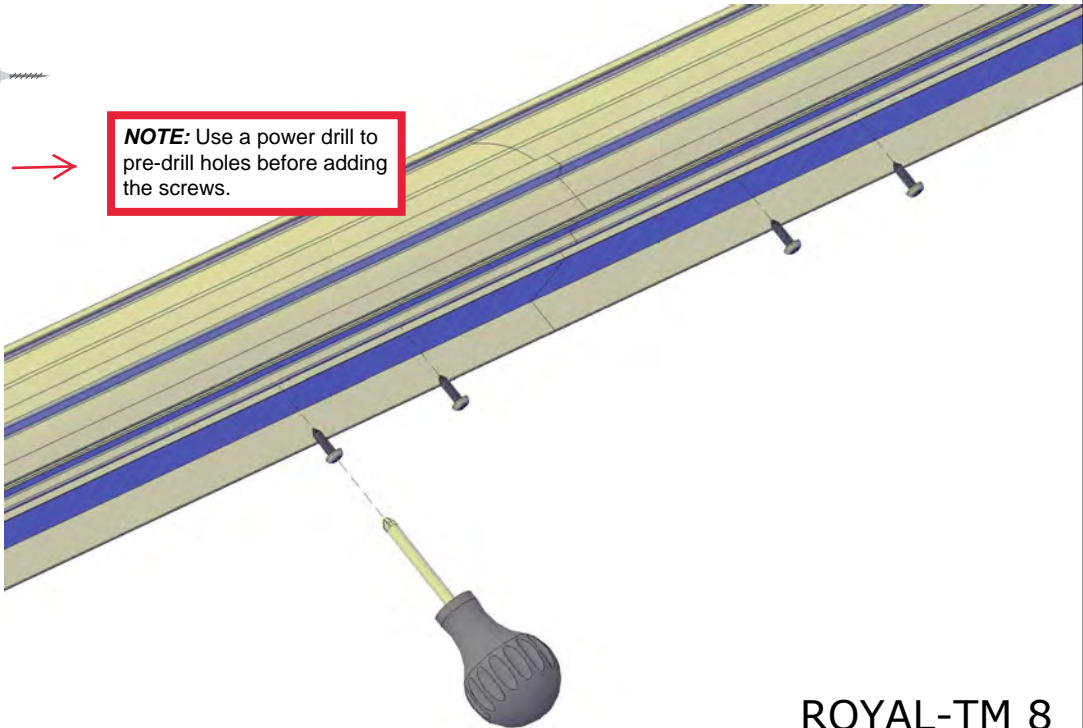
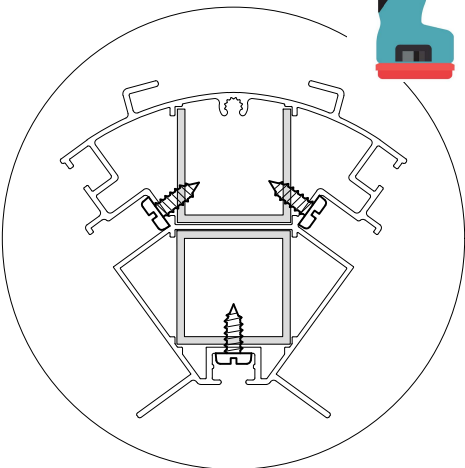
ROYAL-TM 7




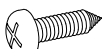


Optional: Use a piece of wood to provide extra support.
Buy 10ft 2x4 and cut to fit.



NOTE: Use a power drill to pre-drill holes before adding the screws.

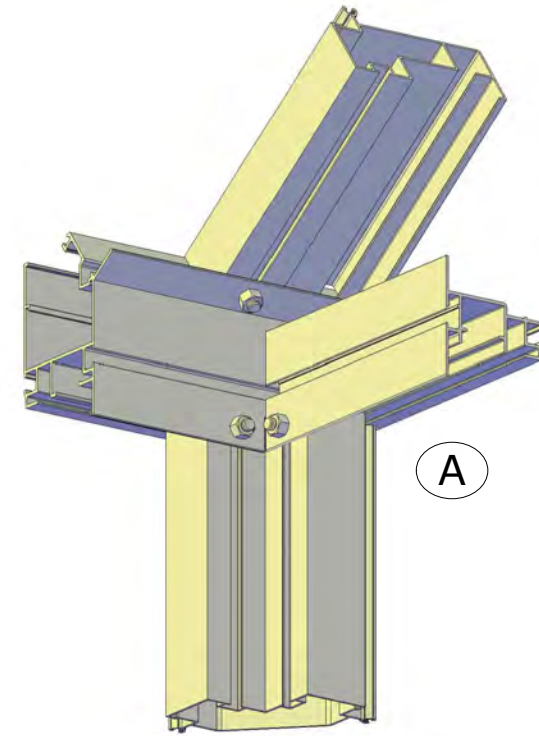
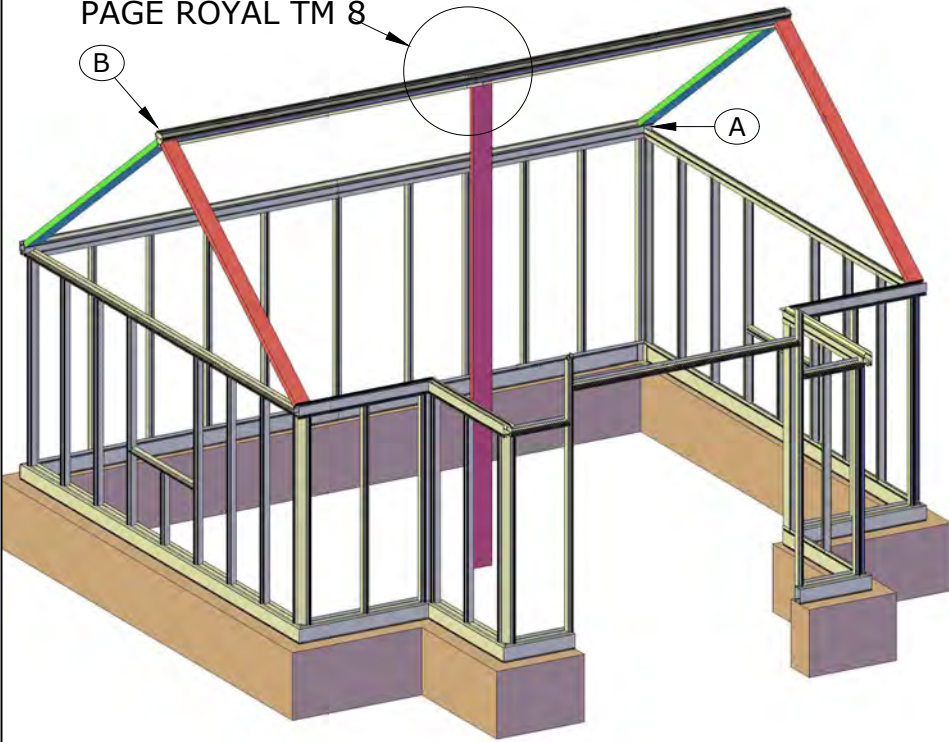


	ITEM	PC.	L
	K 30 x 30	1 PC	1.500 MM
	U 30 x 30	1 PC	1.500 MM
	PRO40091	1+1 PC	2.010 MM
		12 PC	

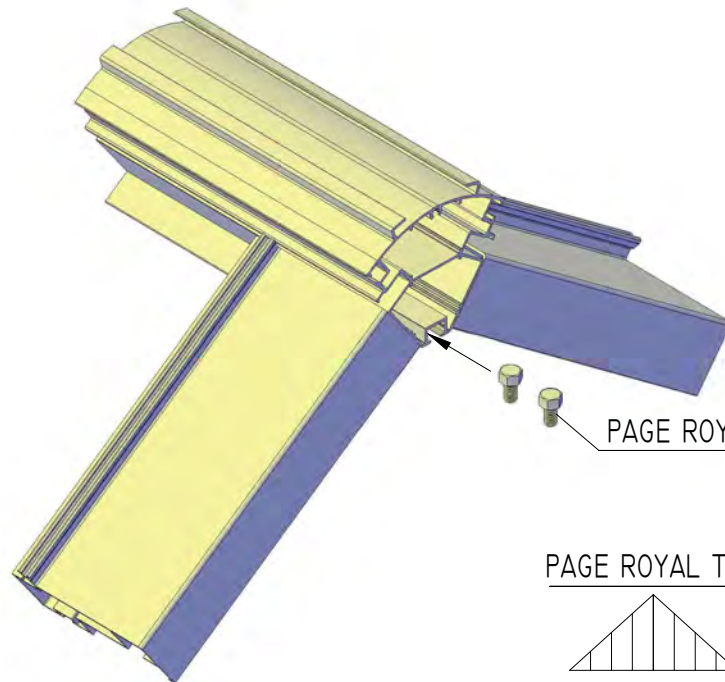
PAGE ROYAL TM 8

(B)

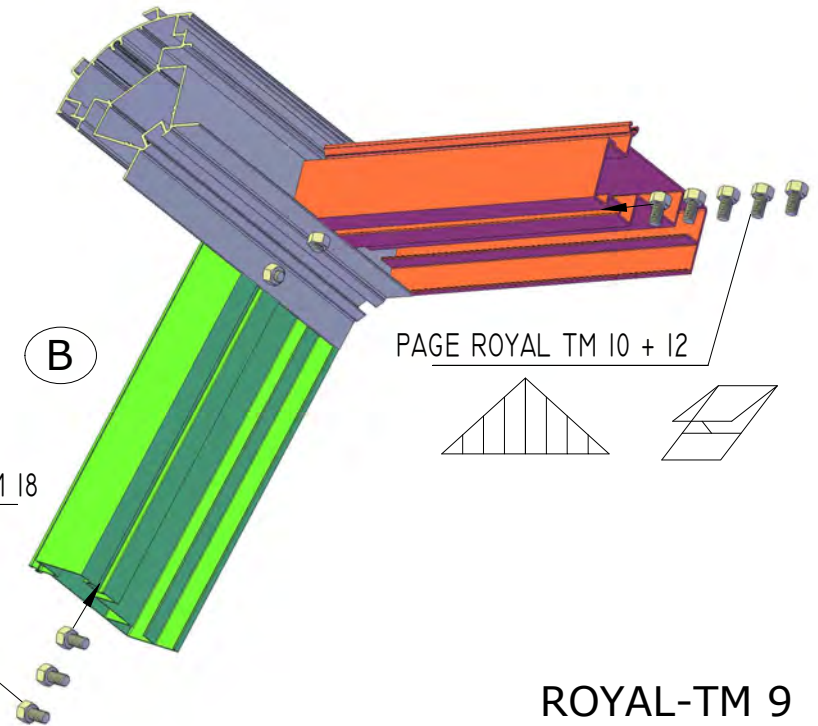
(A)



(A)



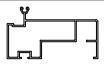
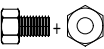
PAGE ROYAL TM 18



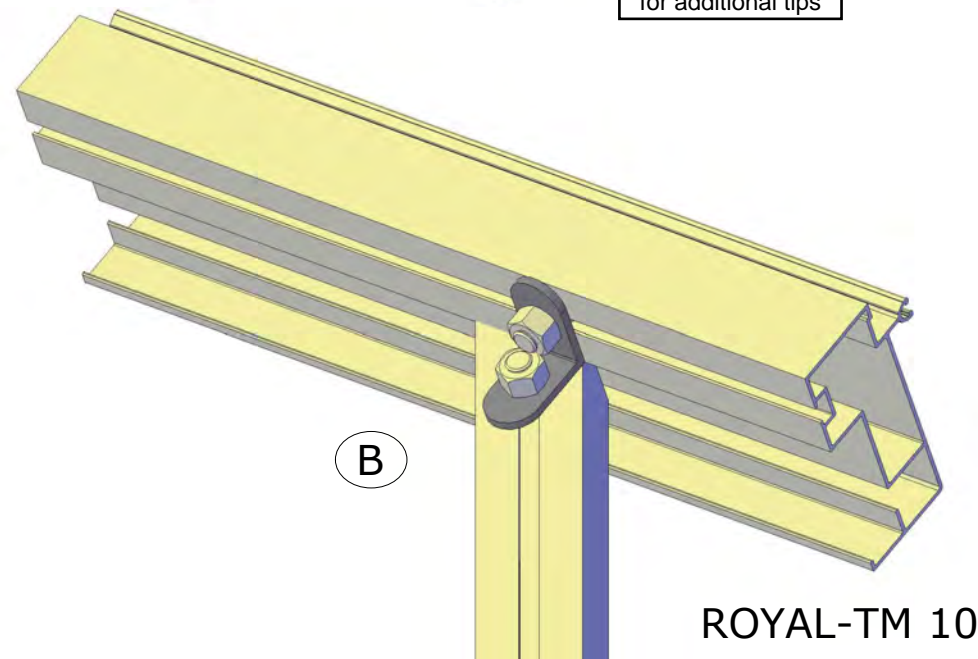
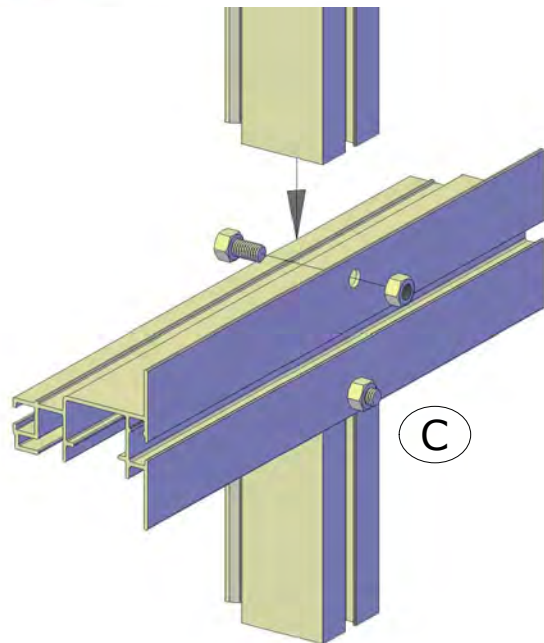
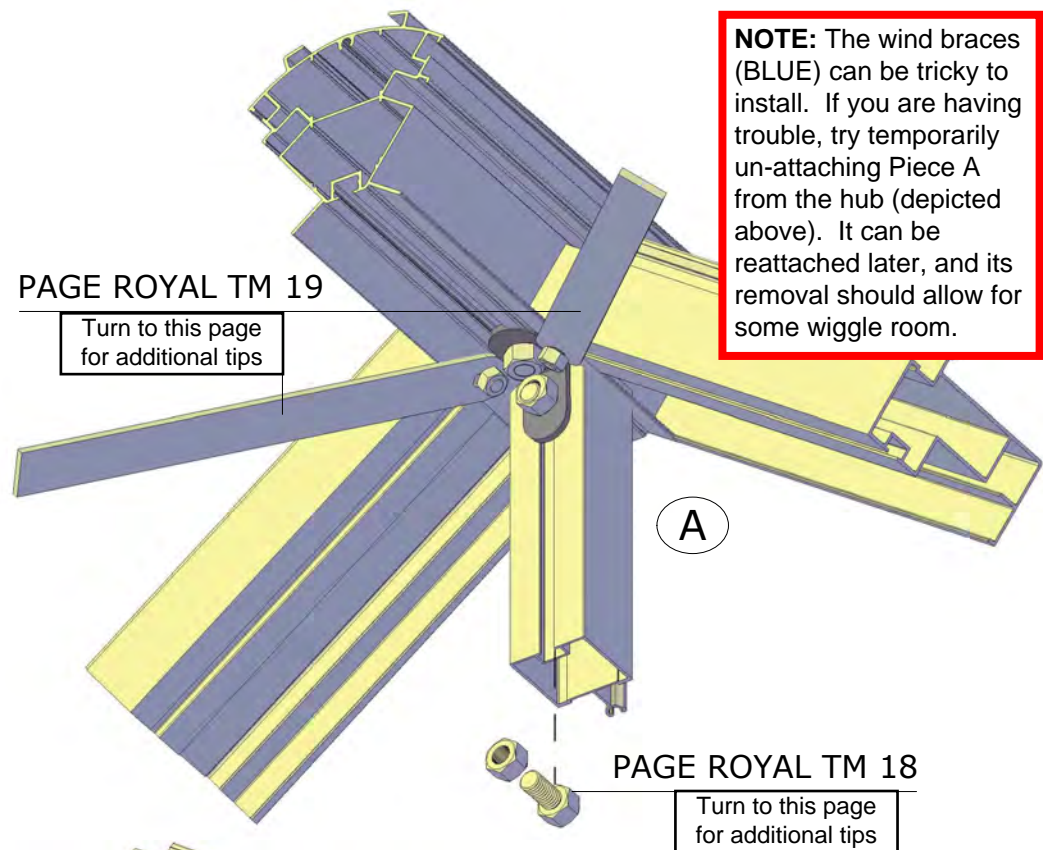
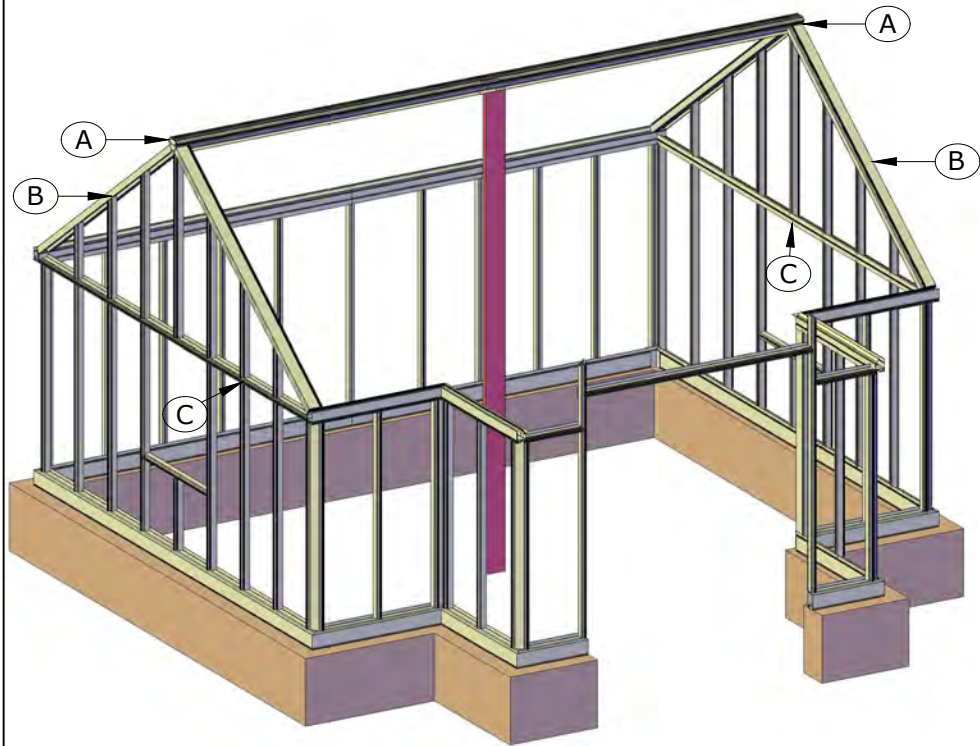
PAGE ROYAL TM 10 + 12

(B)

PAGE ROYAL TM 10

	ITEM	PC.	L
	PR06918	4 PC.	1.830 MM
	M6X12	8+4+16 PC.	

ROYAL-TM 9



	ITEM	PC.	L
	PRO1456	2 PC.	1.090 MM
	PRO1456	4 PC.	334 MM
	PRO1456	4 PC.	602 MM
	PRO1456	4 PC.	871 MM
	M6X15	28+2 PC.	
	LG	14 PC.	

NOTE: The wind braces (BLUE) can be tricky to install. If you are having trouble, try temporarily un-attaching Piece A from the hub (depicted above). It can be reattached later, and its removal should allow for some wiggle room.

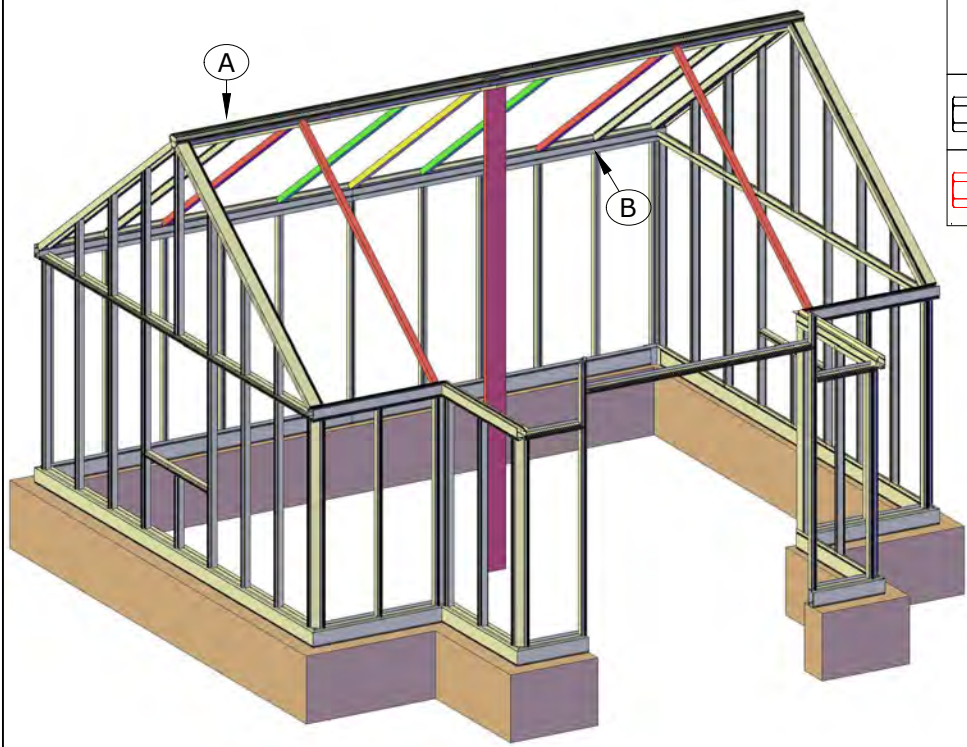
PAGE ROYAL TM 19

Turn to this page for additional tips

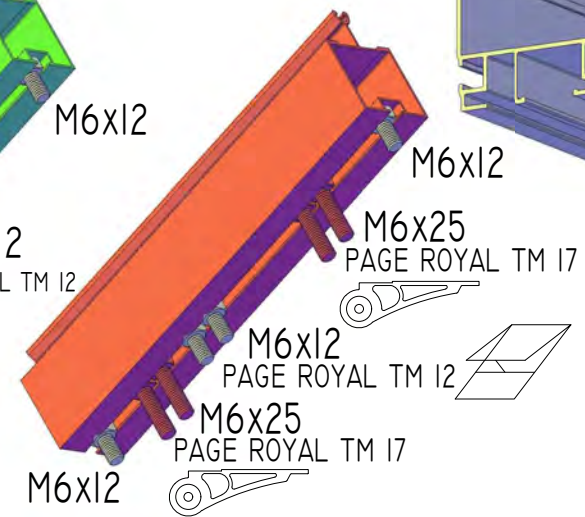
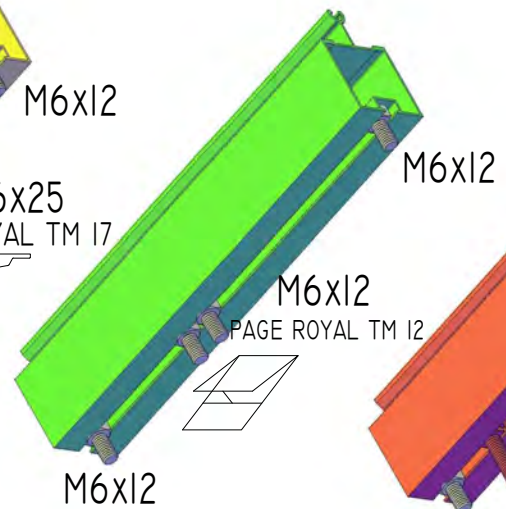
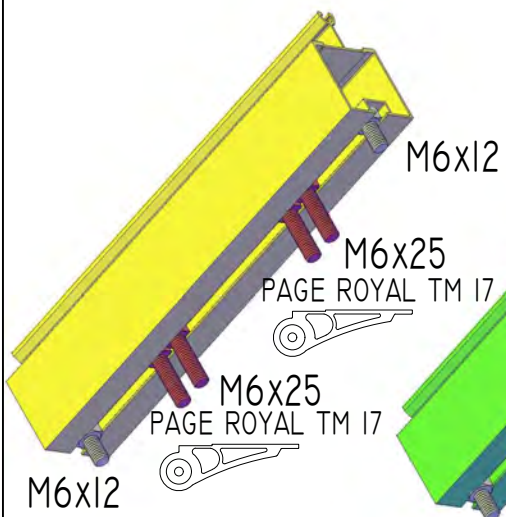
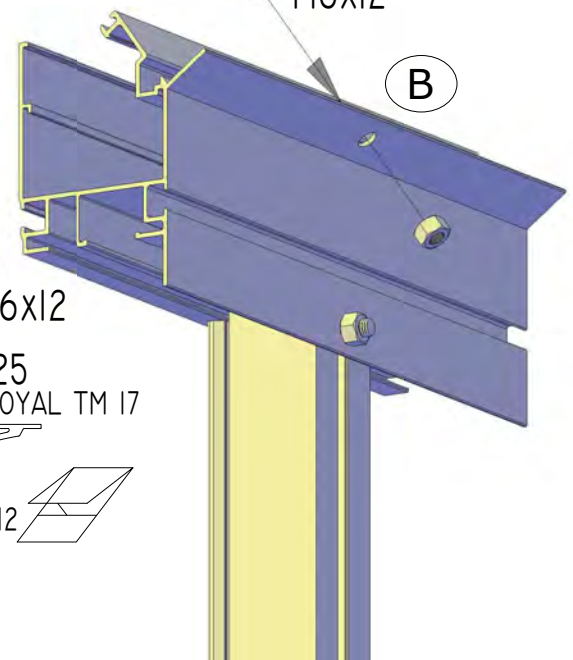
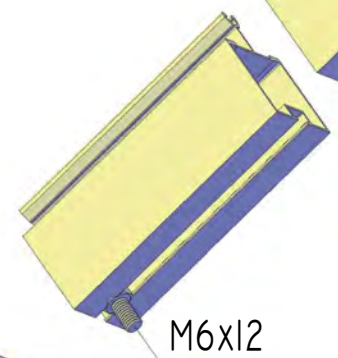
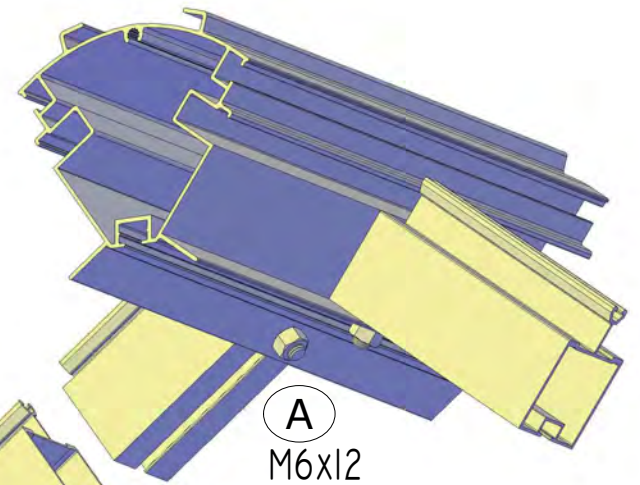
PAGE ROYAL TM 18

Turn to this page for additional tips

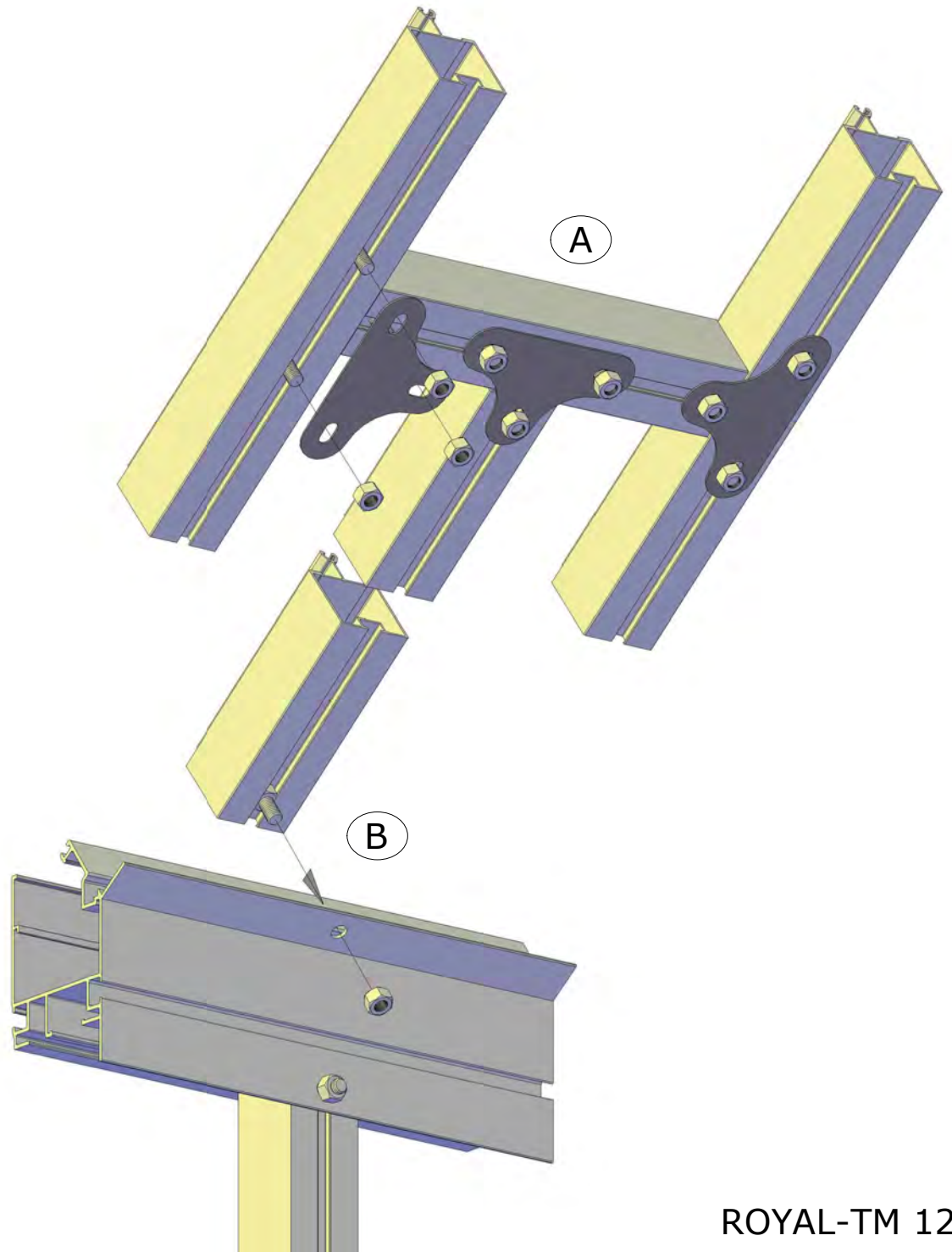
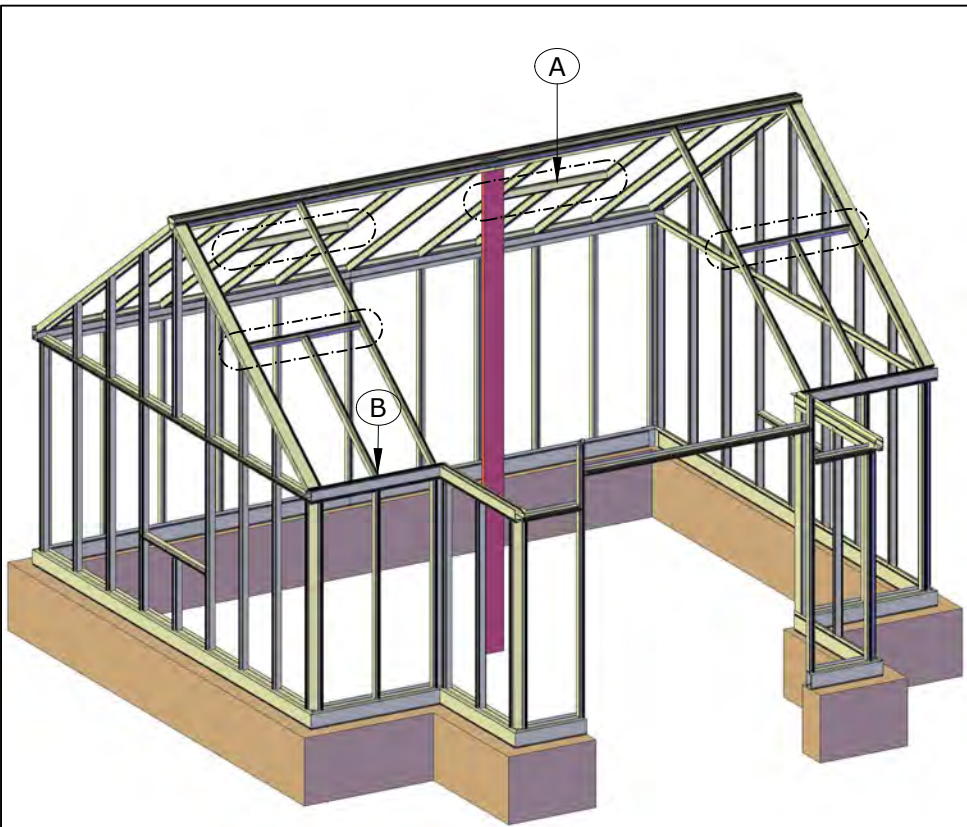
ROYAL-TM 10

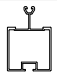
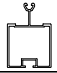
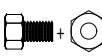


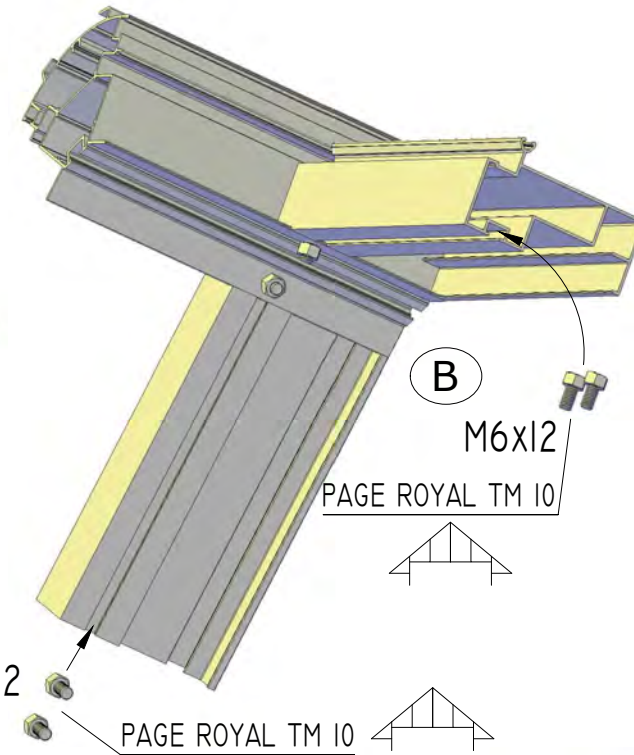
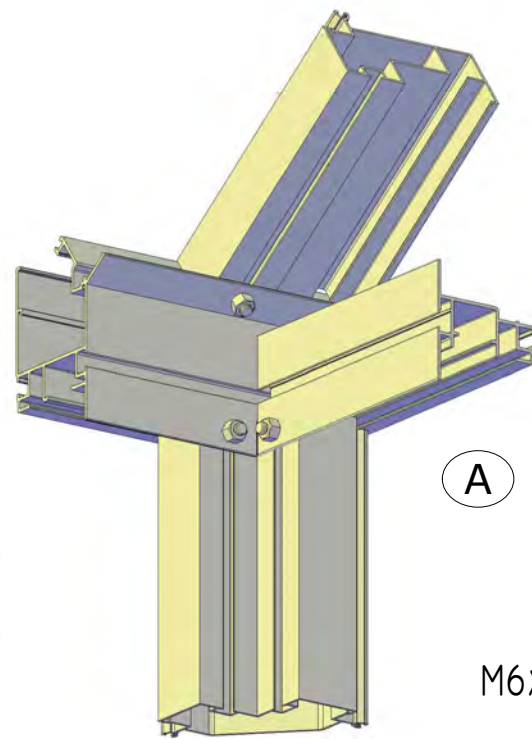
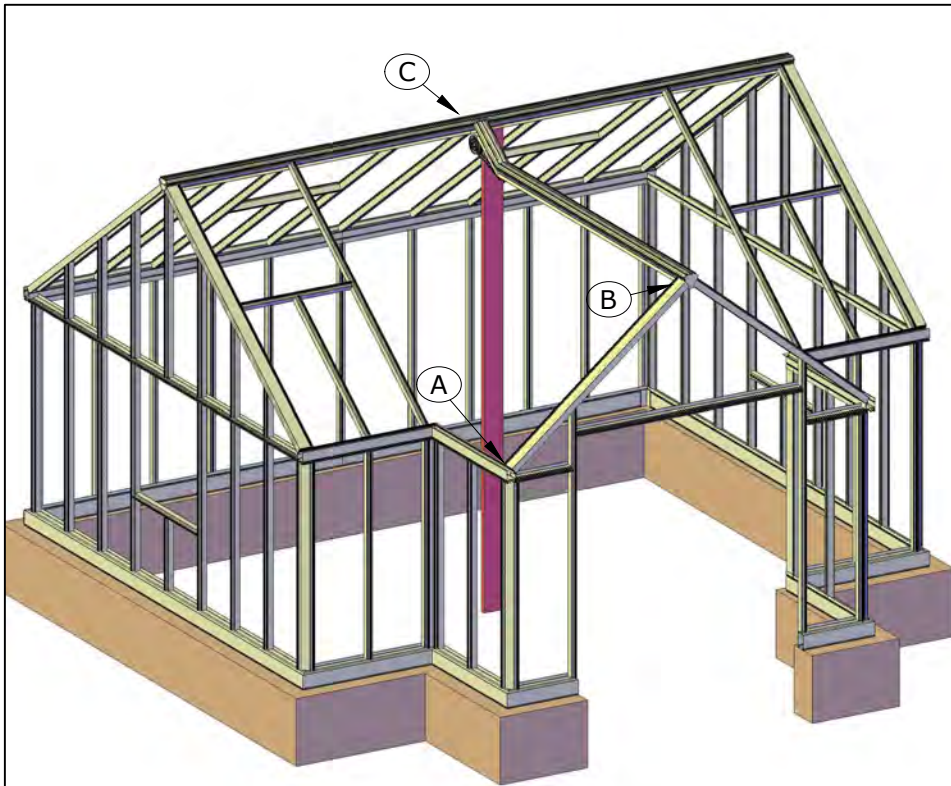
	ITEM	PC.	L
	PRO1456	9 PC.	1.830 MM
	M6x12	18+12 PC.	
	M6x25	20 PC.	



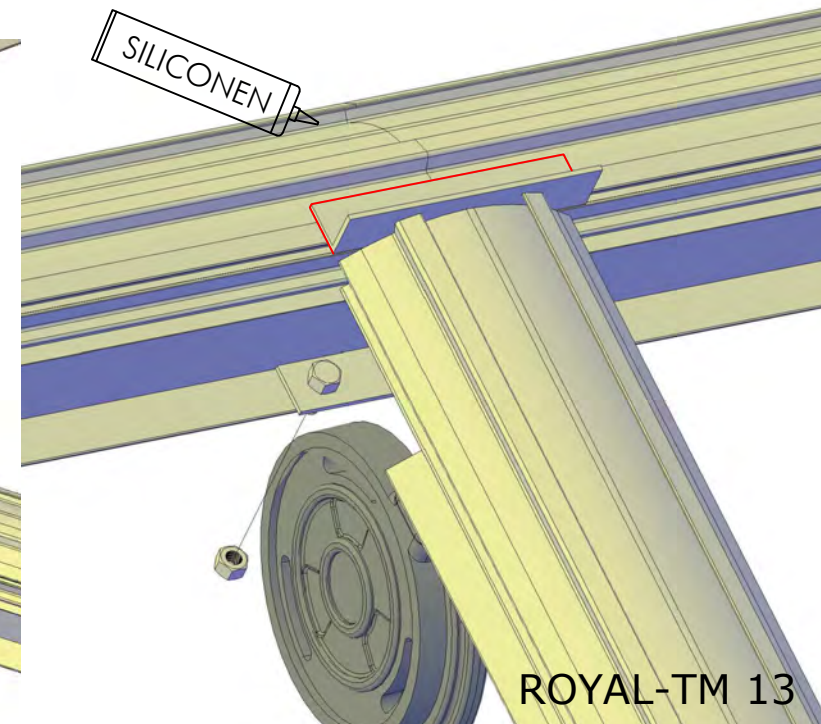
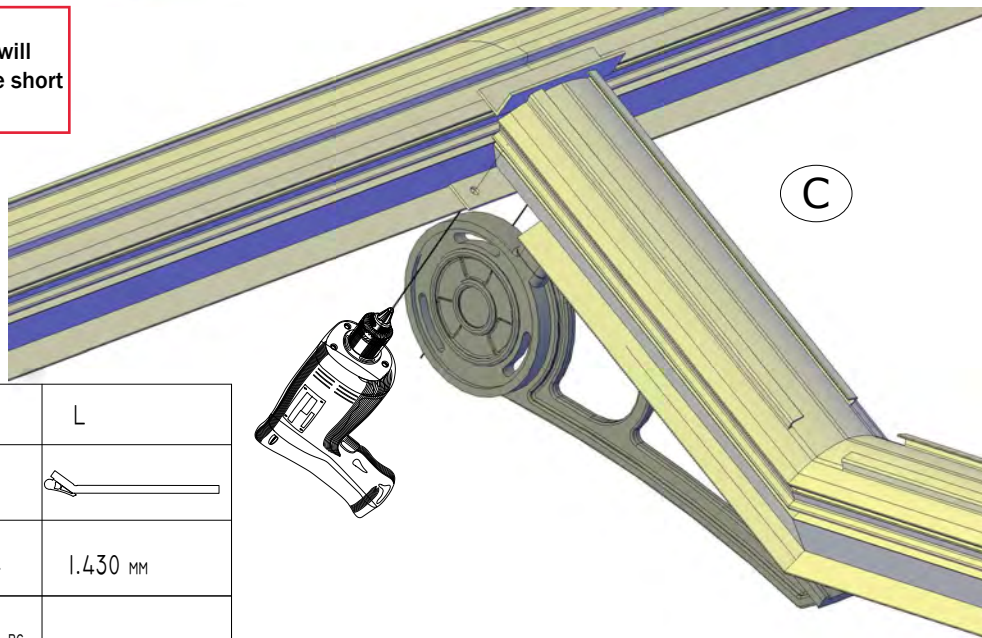
ROYAL-TM 11



	ITEM	PC.	L
	PROI456	4 pc.	1.005 MM
	PROI456	4 pc.	703 MM
	M6X12	24 pc.	

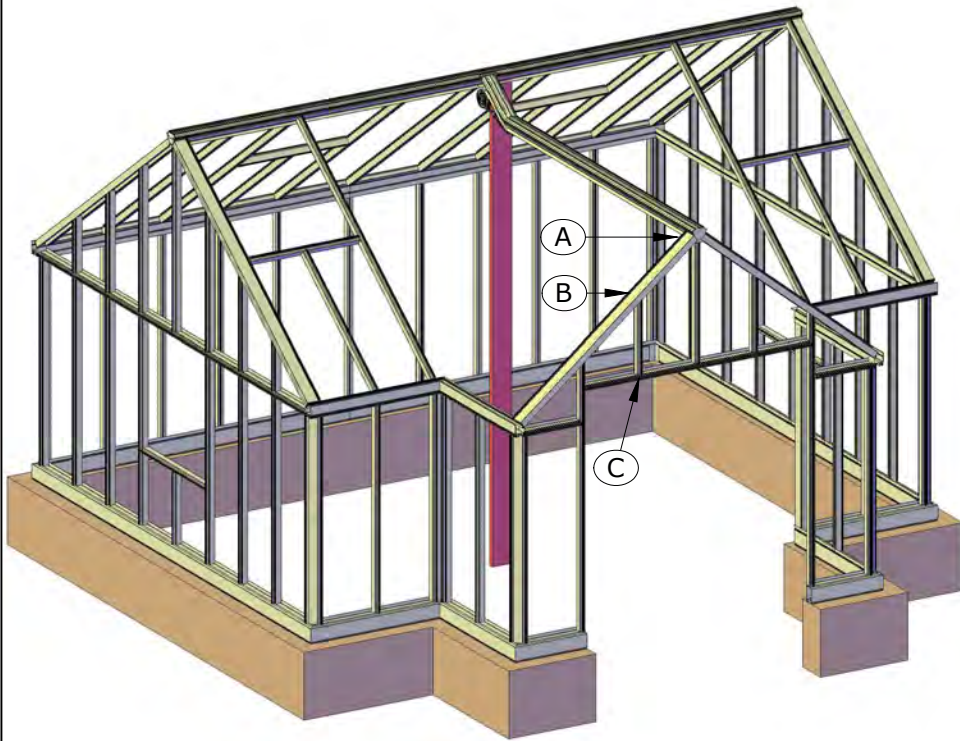


Insert bolts to connect short uprights to the PR06918. You will need as many bolts as you have short uprights.



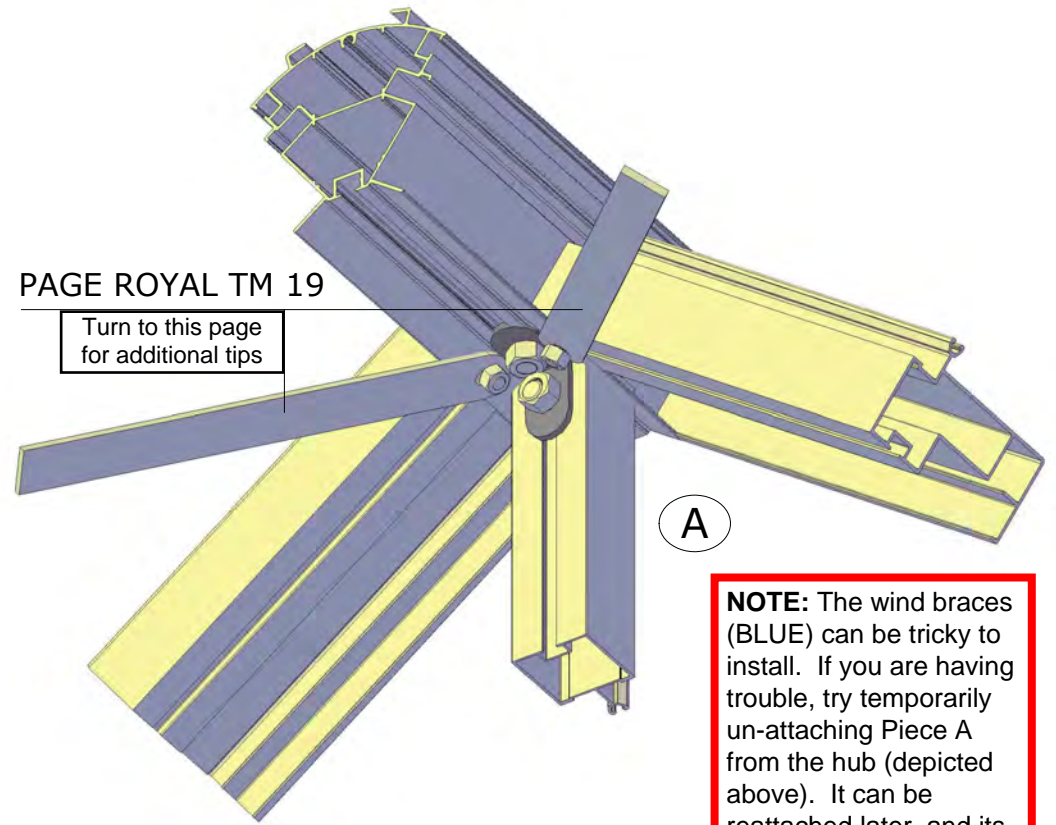
	ITEM	PC.	L
	PRO40091*	1 PC.	
	PR06918	2 PC.	1.430 MM
	M6x12	6+4 PC.	

ROYAL-TM 13

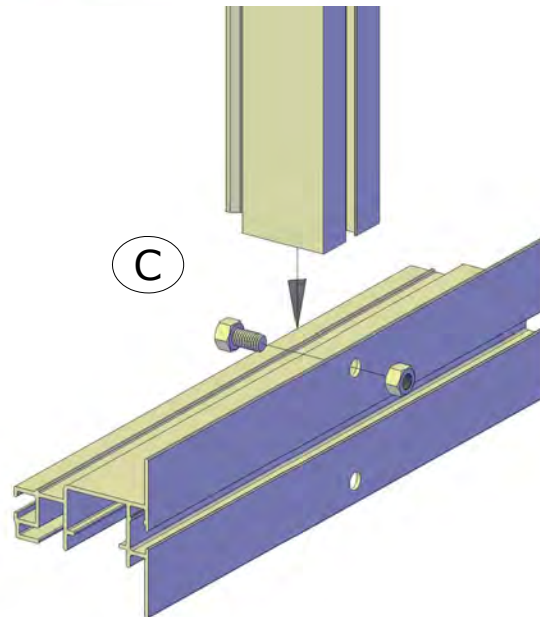


PAGE ROYAL TM 19

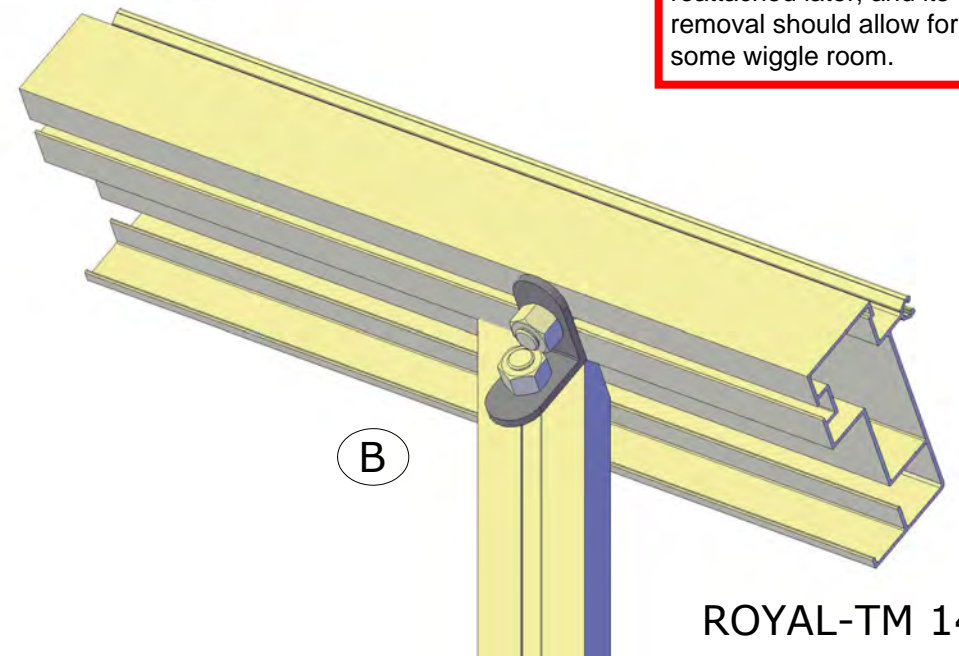
Turn to this page for additional tips



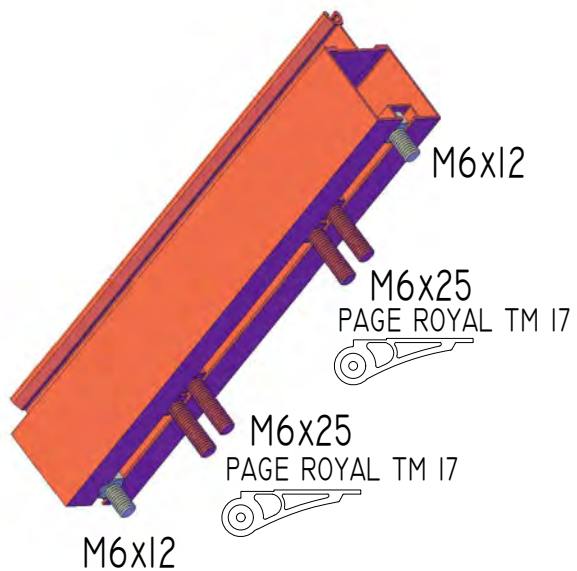
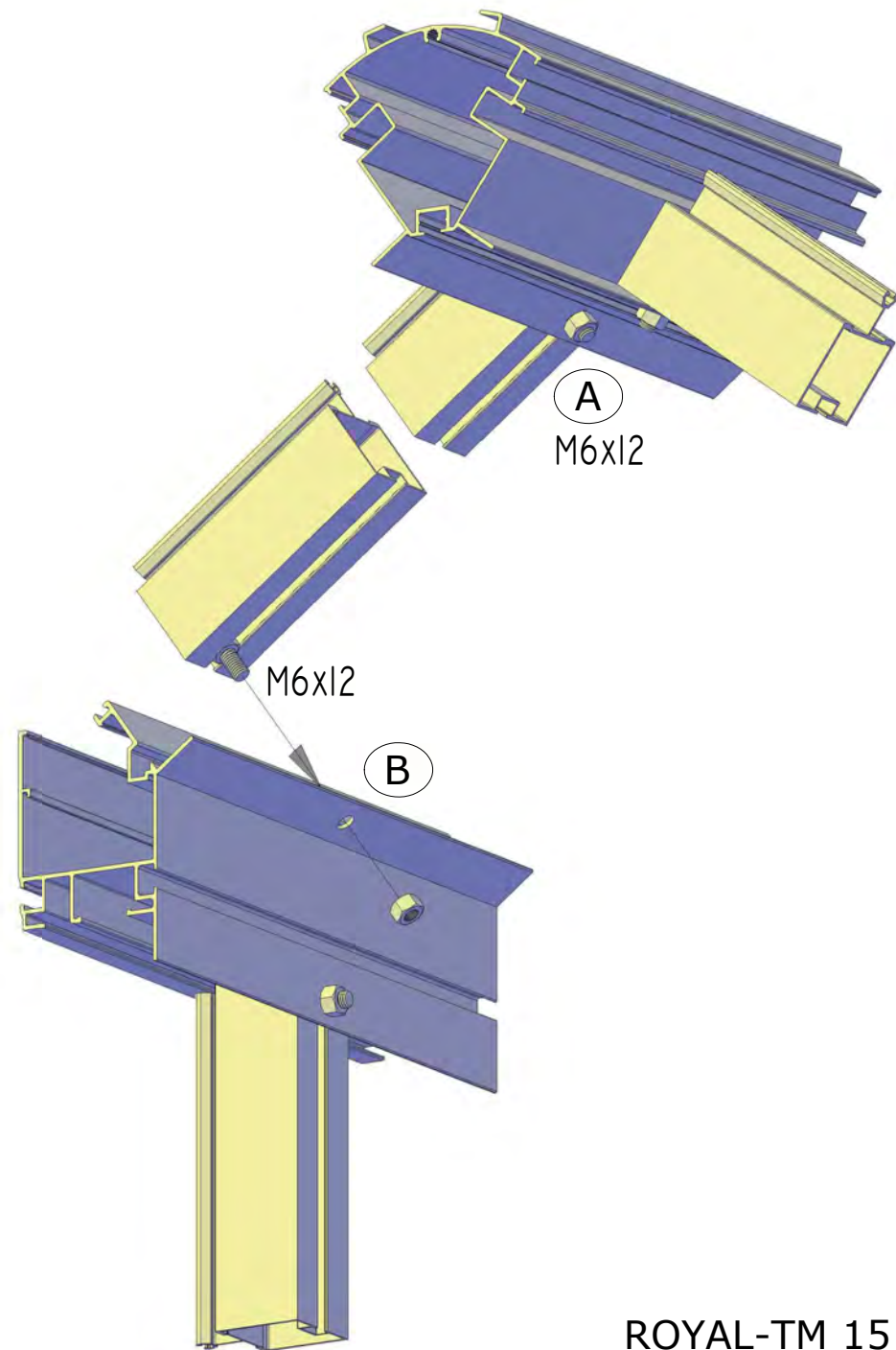
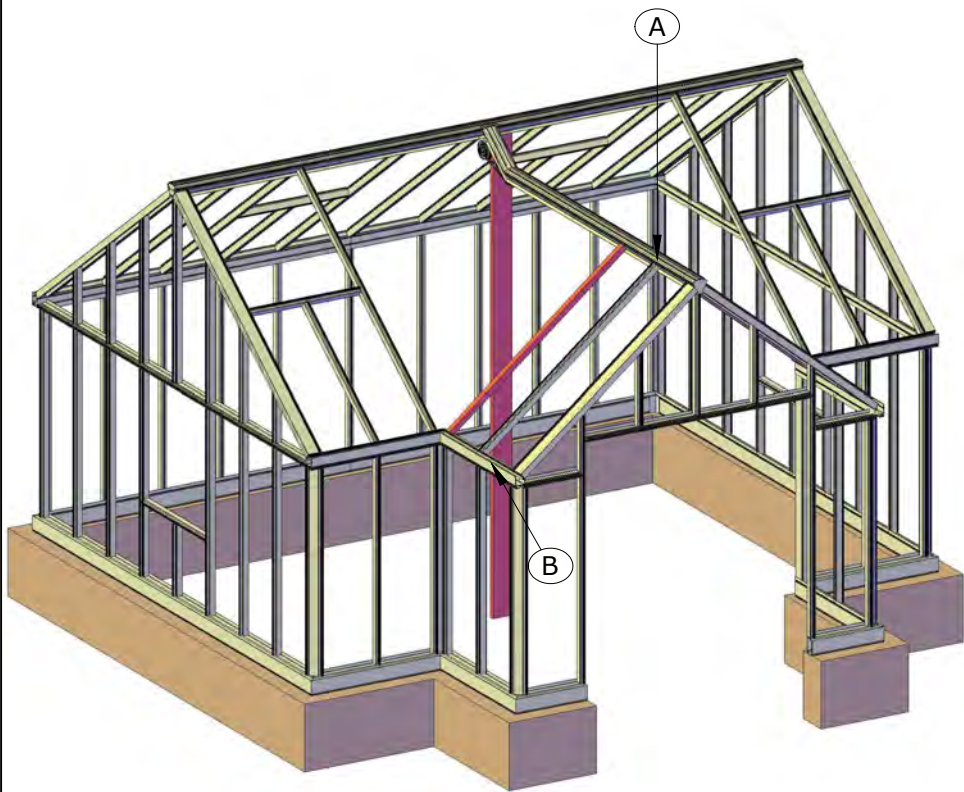
NOTE: The wind braces (BLUE) can be tricky to install. If you are having trouble, try temporarily un-attaching Piece A from the hub (depicted above). It can be reattached later, and its removal should allow for some wiggle room.

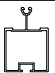
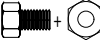
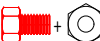


	ITEM	PC.	L
	PRO1456	1 PC.	718 MM
	PRO1456	2 PC.	472 MM
	M6x15	7 PC.	
	LG	5 PC.	

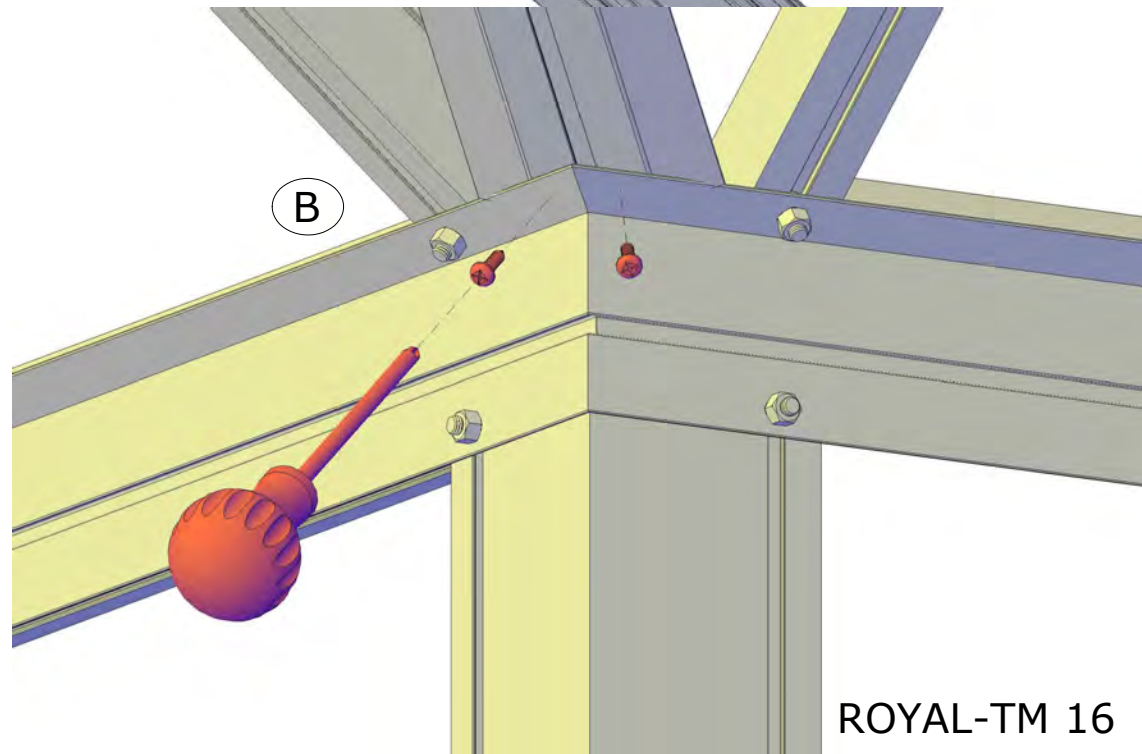
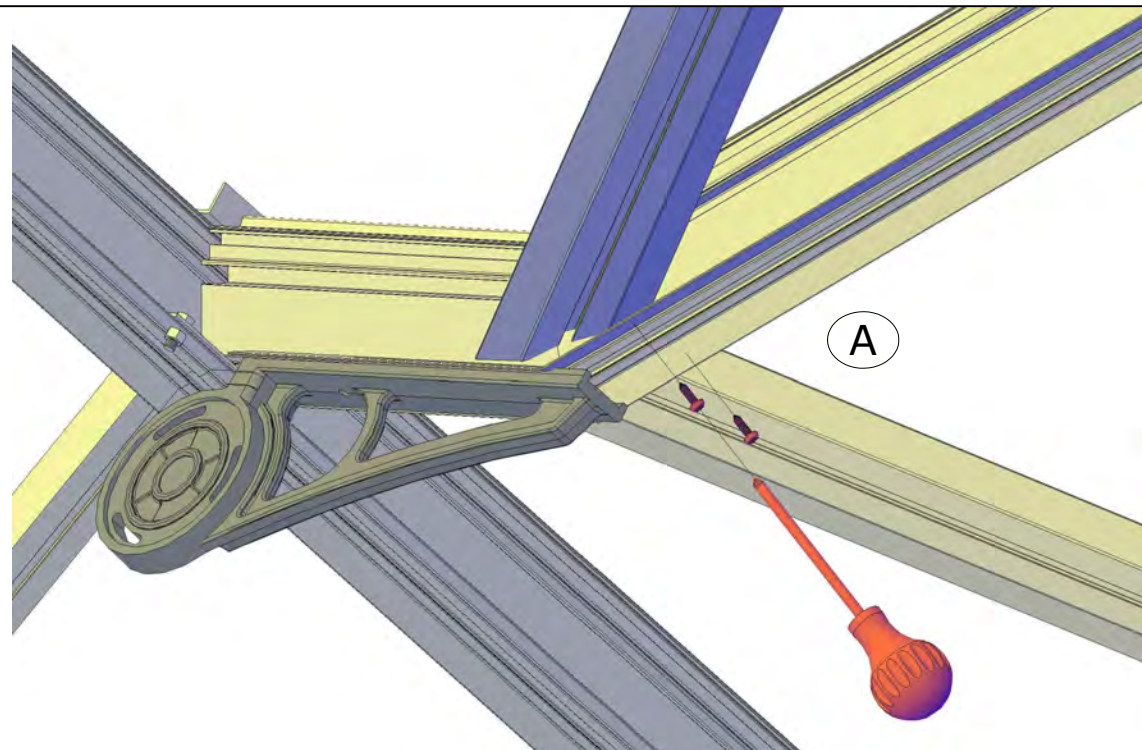
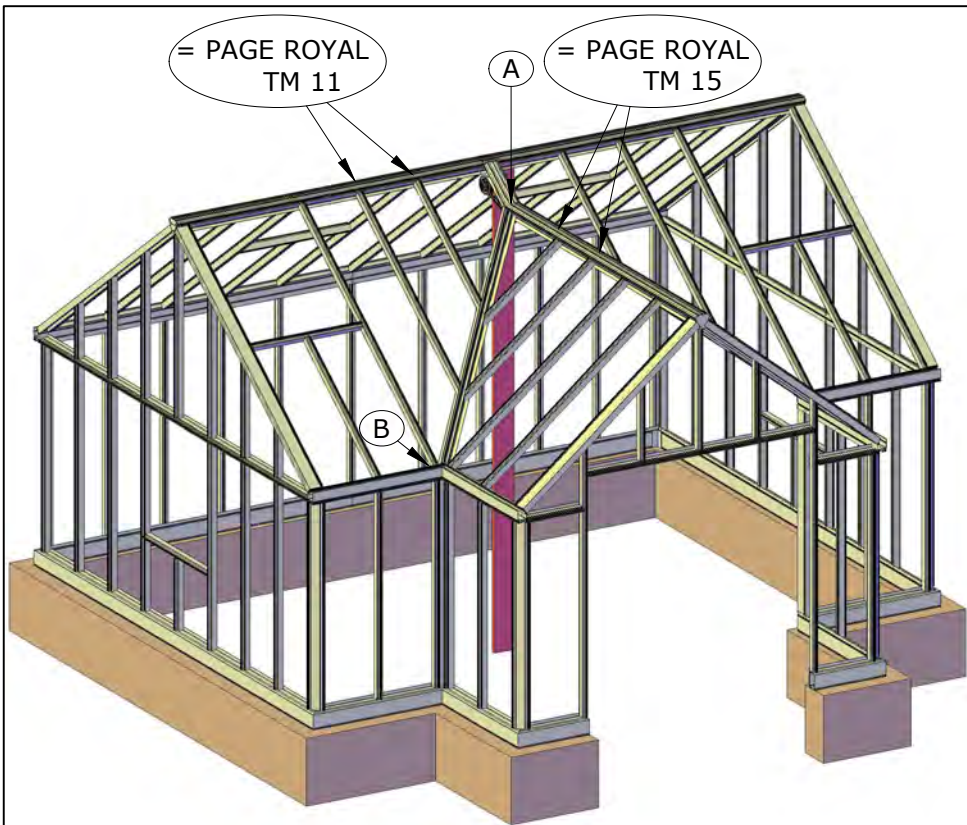


ROYAL-TM 14


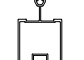
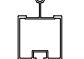
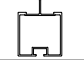
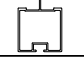
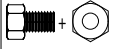



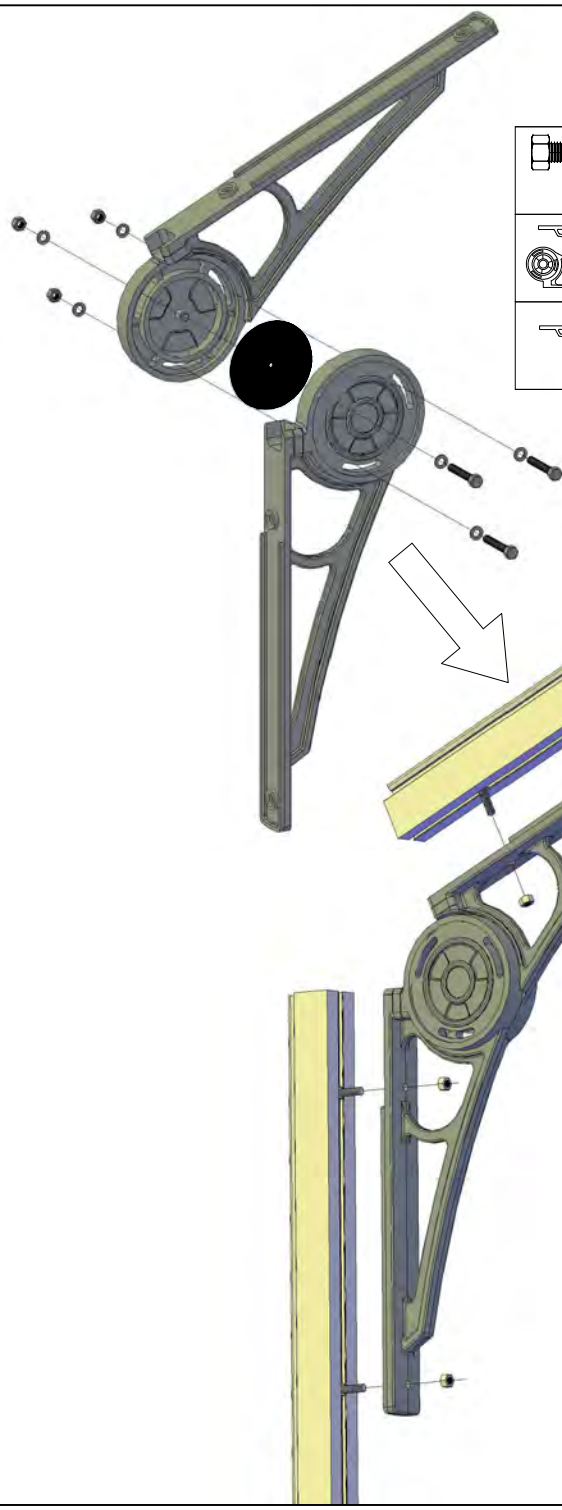
	ITEM	PC.	L
	PRO1456	4 pc.	1.430 MM
	M6x12	8 pc.	
	M6x25	8 pc.	

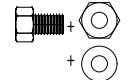
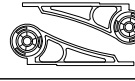
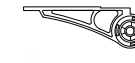
ROYAL-TM 15

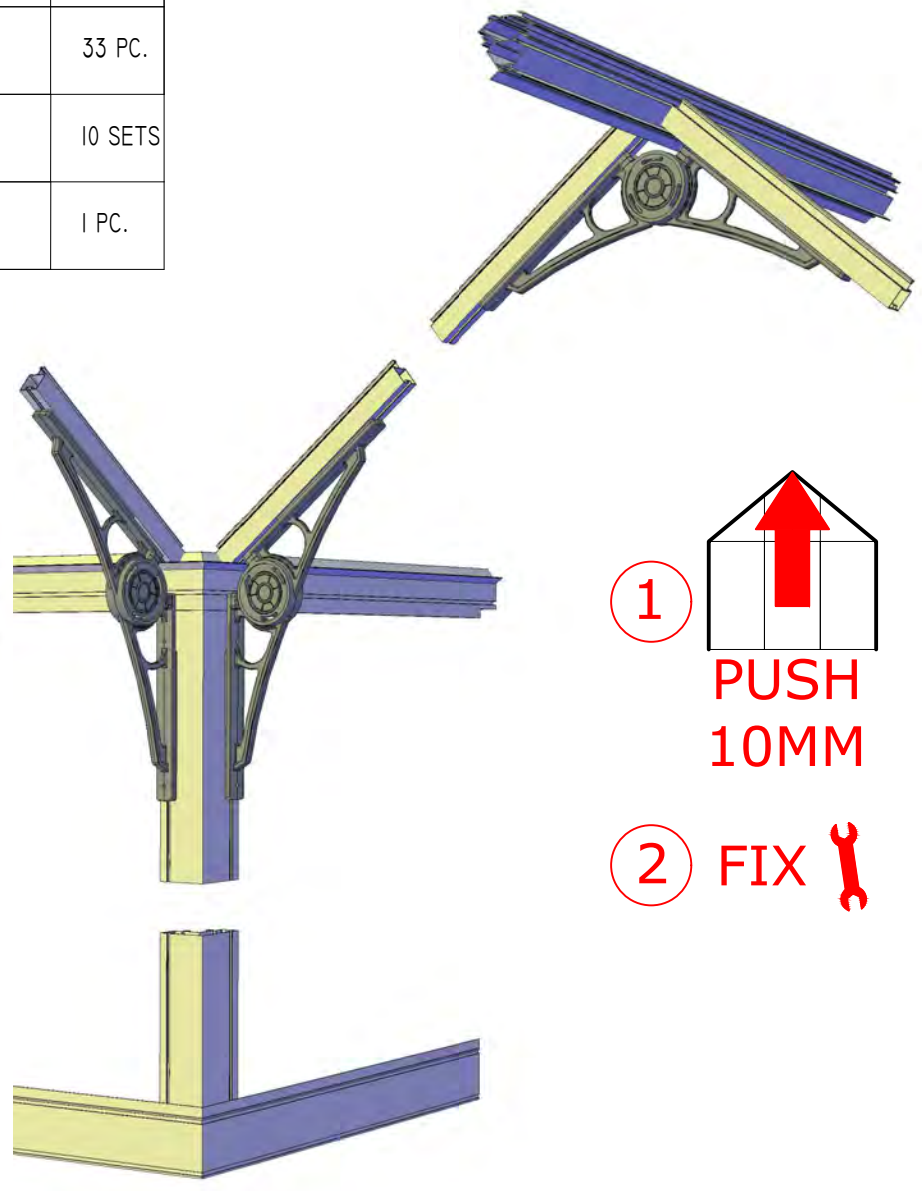


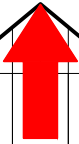

Installing Triangular Glass:
 Start from the top and add framing as you work towards the lower most piece.
 Leave hardware loose until all triangular glass is in.

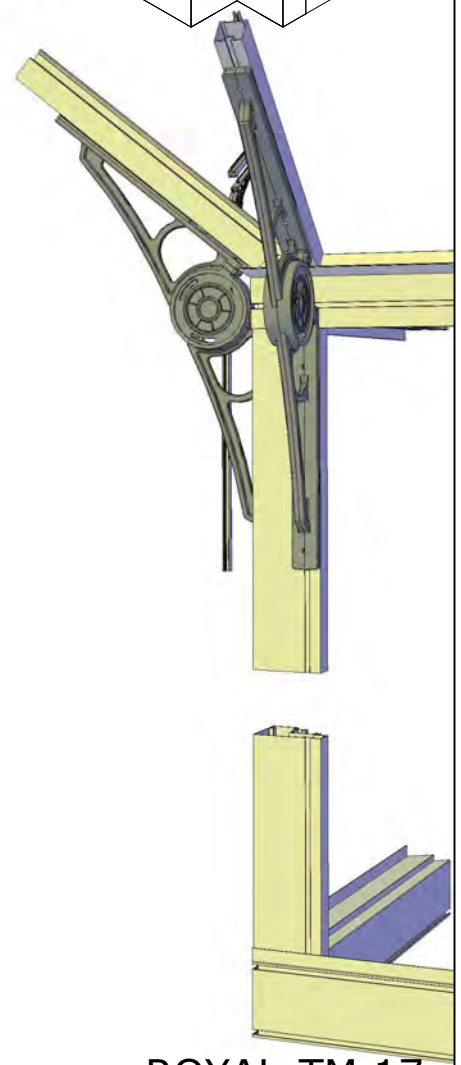
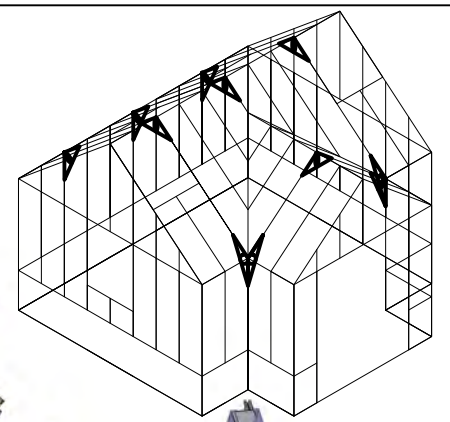
	ITEM	PC.	L
	PRO41942	2 PC.	1.942 MM
	PRO1456	2 PC.	1.408 MM
	PRO1456	2 PC.	1.075 MM
	PRO1456	2 PC.	900 MM
	PRO1456	2 PC.	645 MM
	M6x12	16 PC.	
		4 PC.	

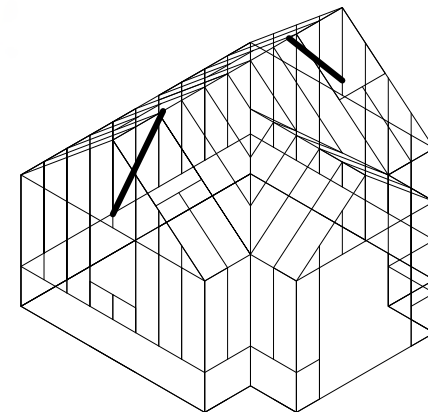
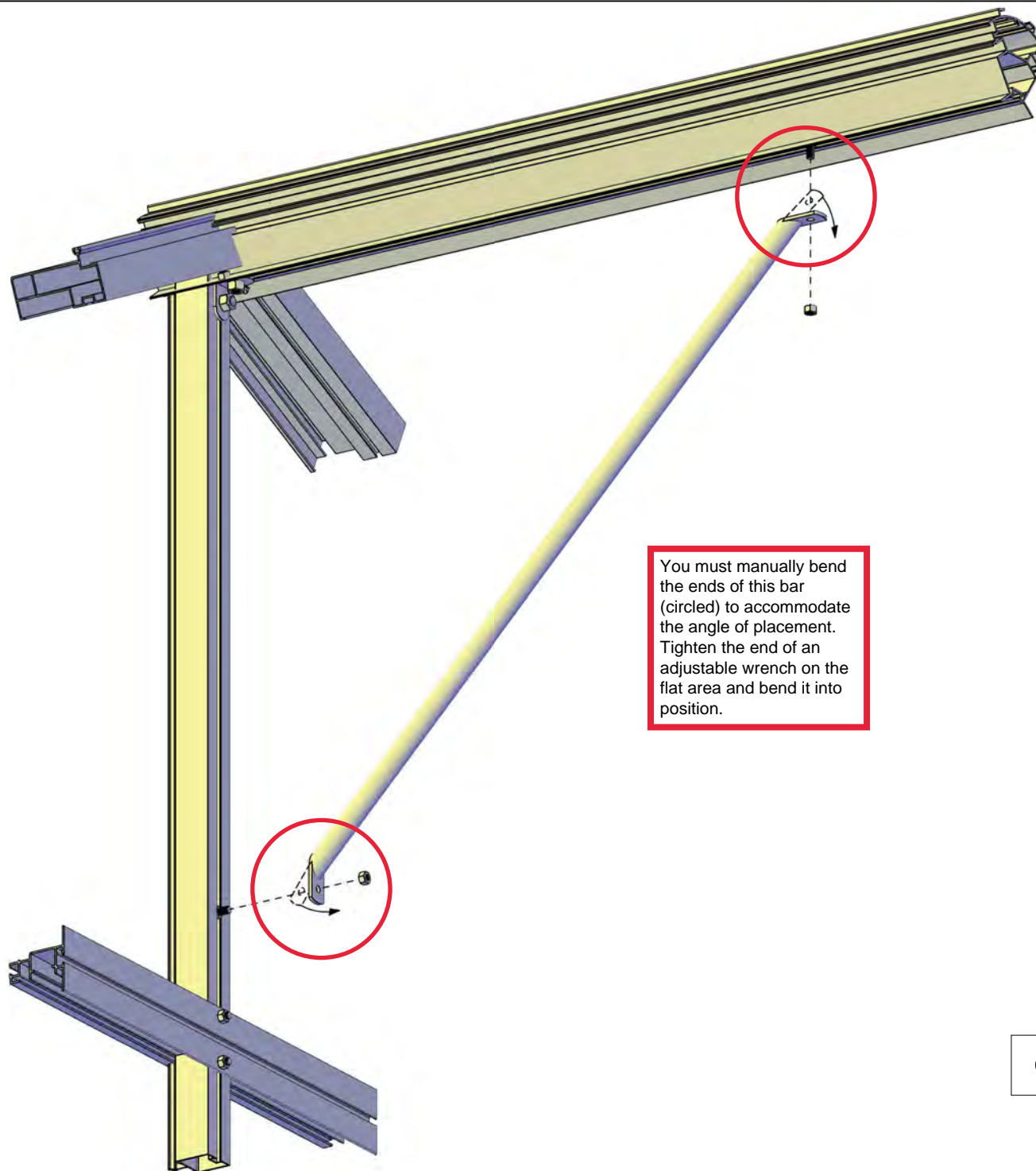


ITEM	PC.
 M6x40	33 PC.
	10 SETS
	1 PC.




- 1  PUSH 10MM
- 2  FIX

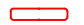






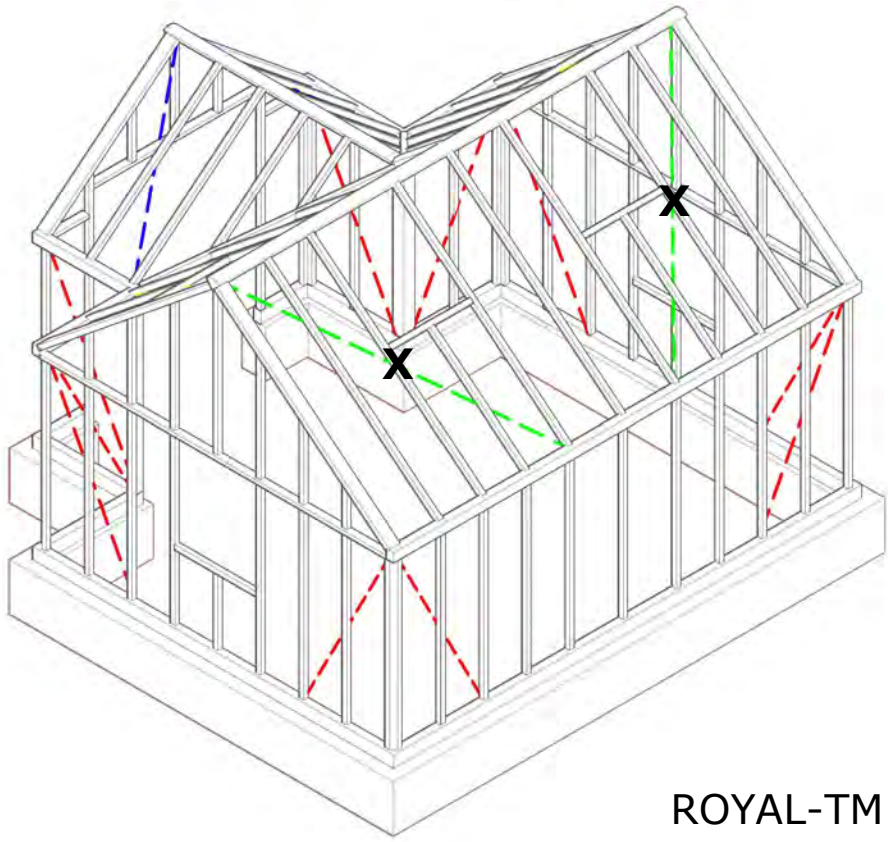
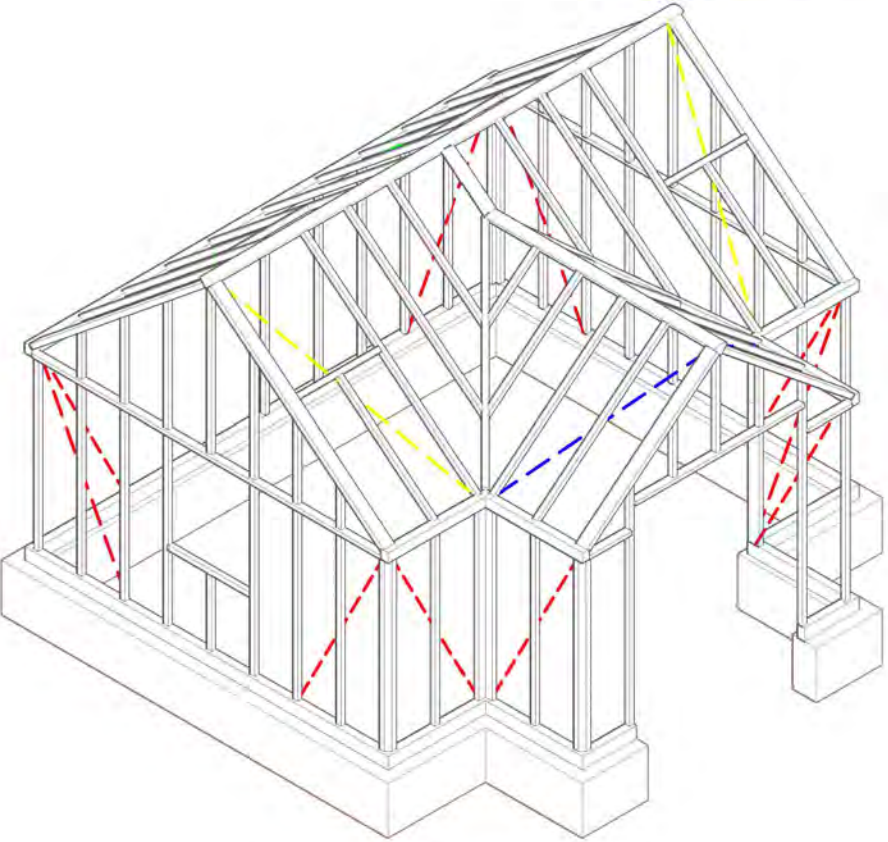
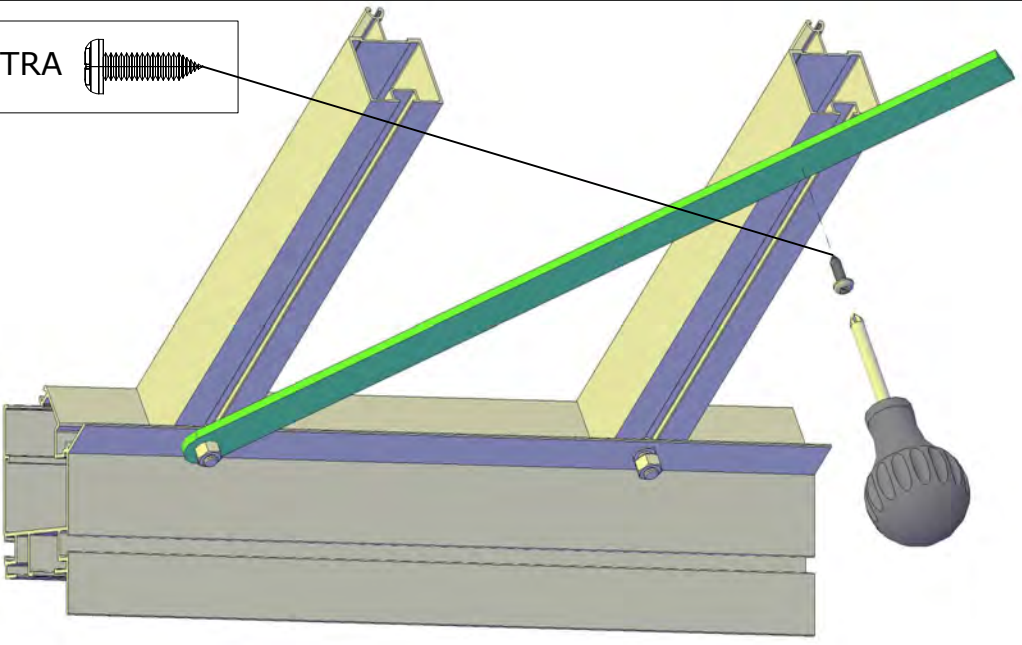
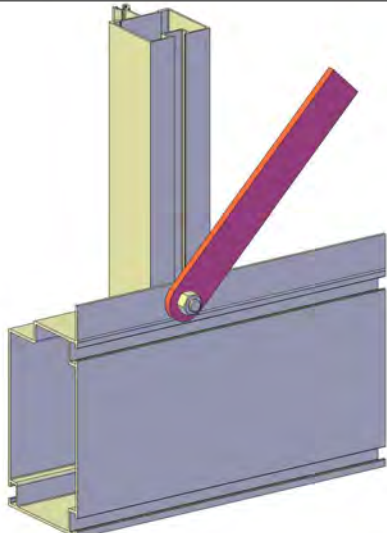


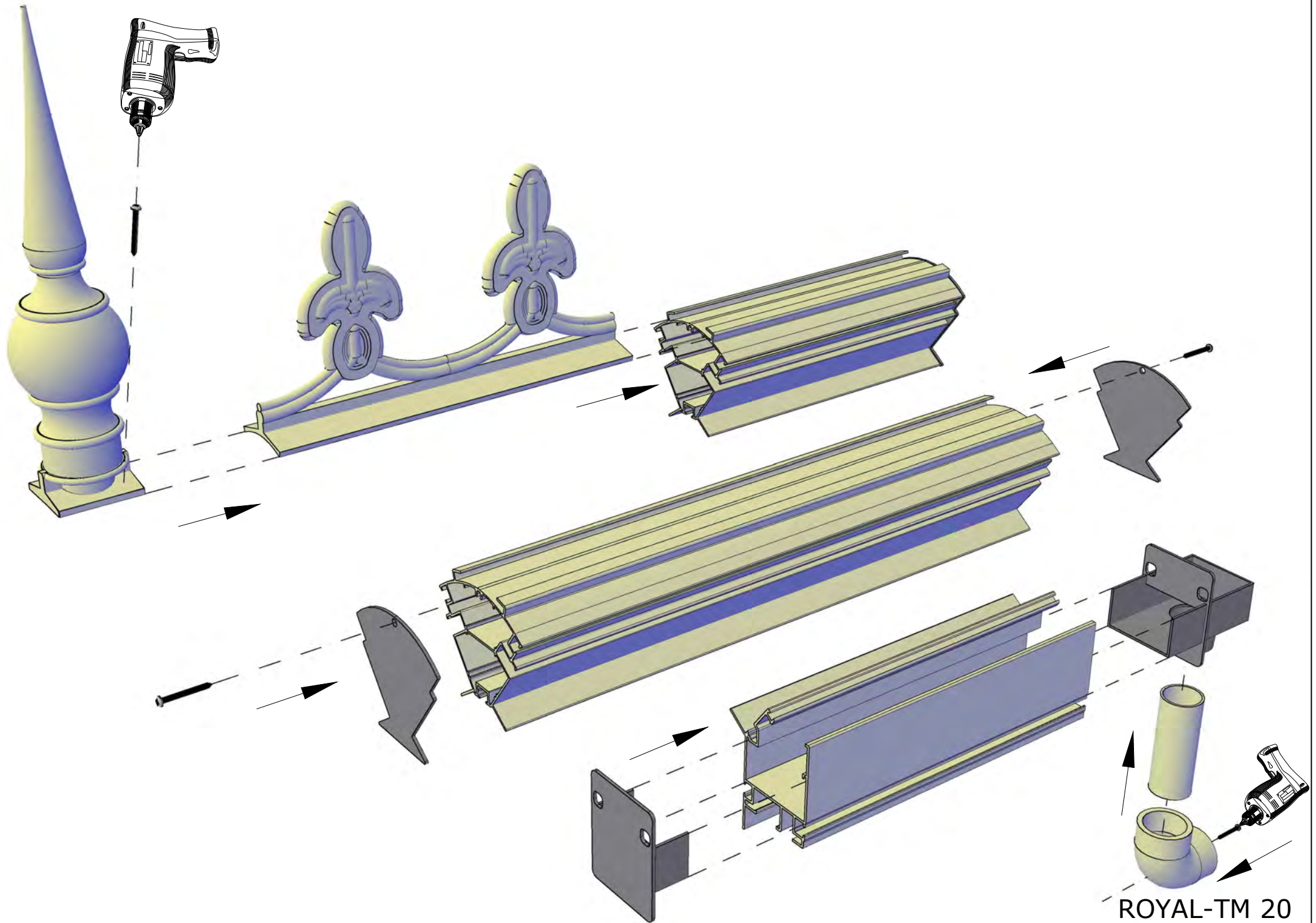
You must manually bend the ends of this bar (circled) to accommodate the angle of placement. Tighten the end of an adjustable wrench on the flat area and bend it into position.

	ITEM	PC.	L
	Ø 19MM	2 PC.	1.030 MM

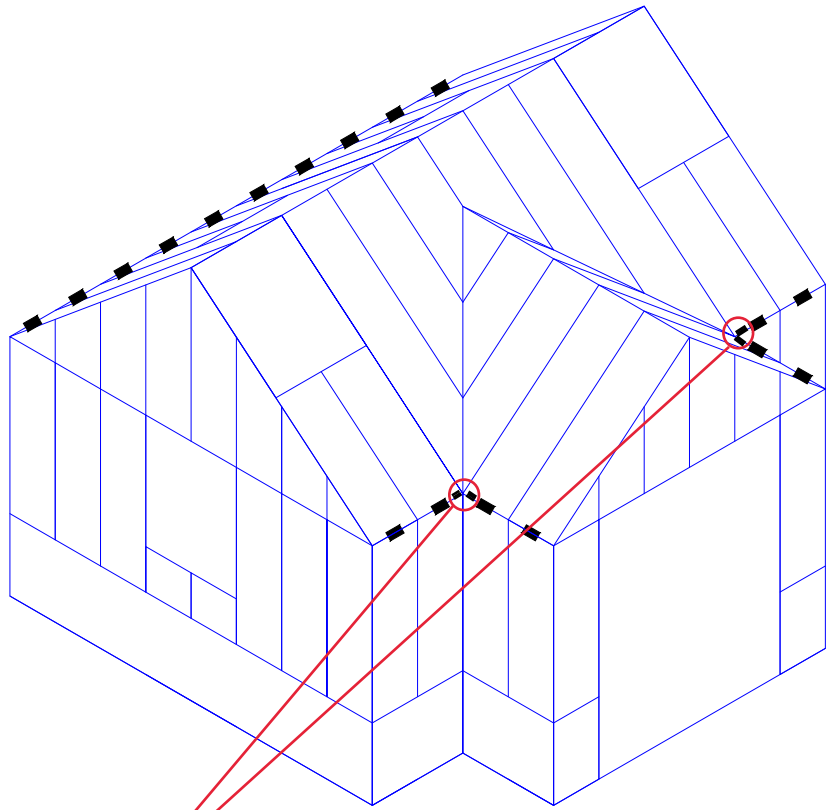
X = EXTRA FIXING / EXTRA BEFESTIGUNG / ATTACH EXTRA 

ITEM	PC.	L
 TRE	10 PC.	1.437 MM
 TRE	2 PC.	1.611 MM
 TRE	2 PC.	2.356 MM
 TRE	2 PC.	1.975 MM
	2 PC.	





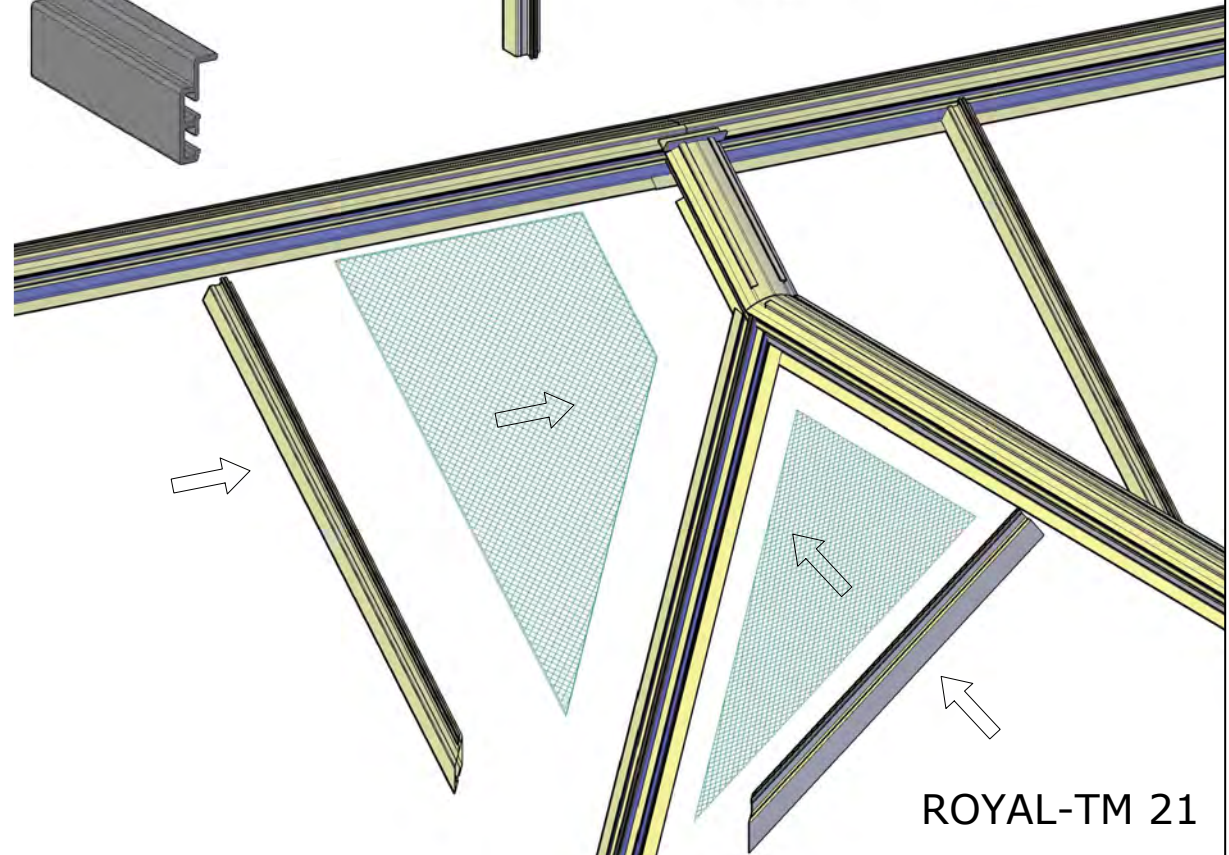
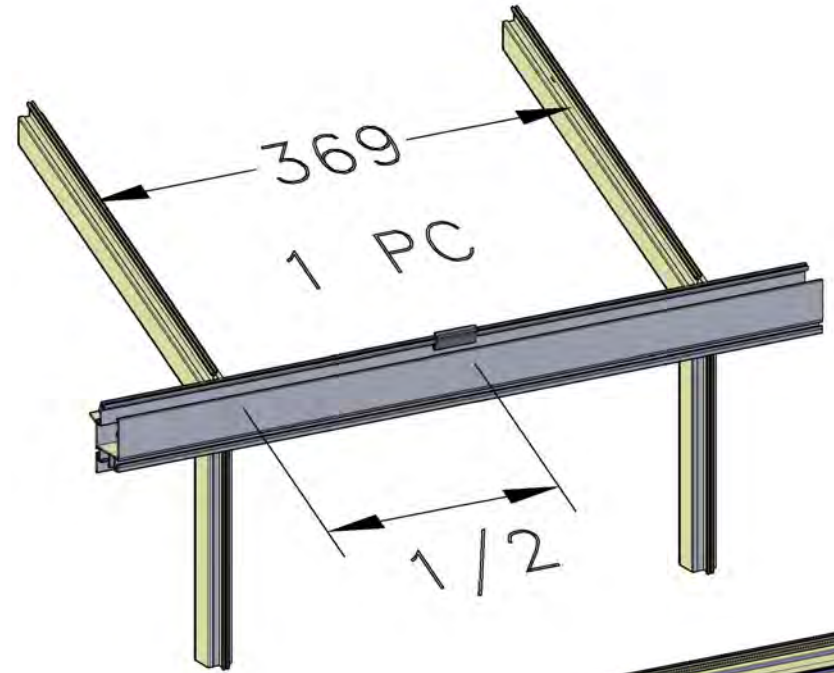
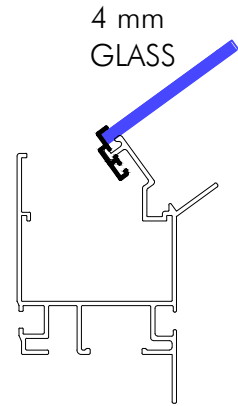
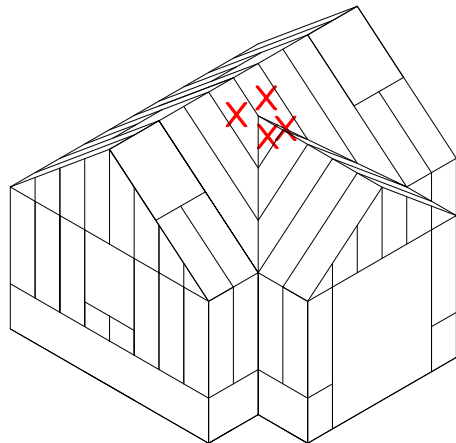
ROYAL-TM 20



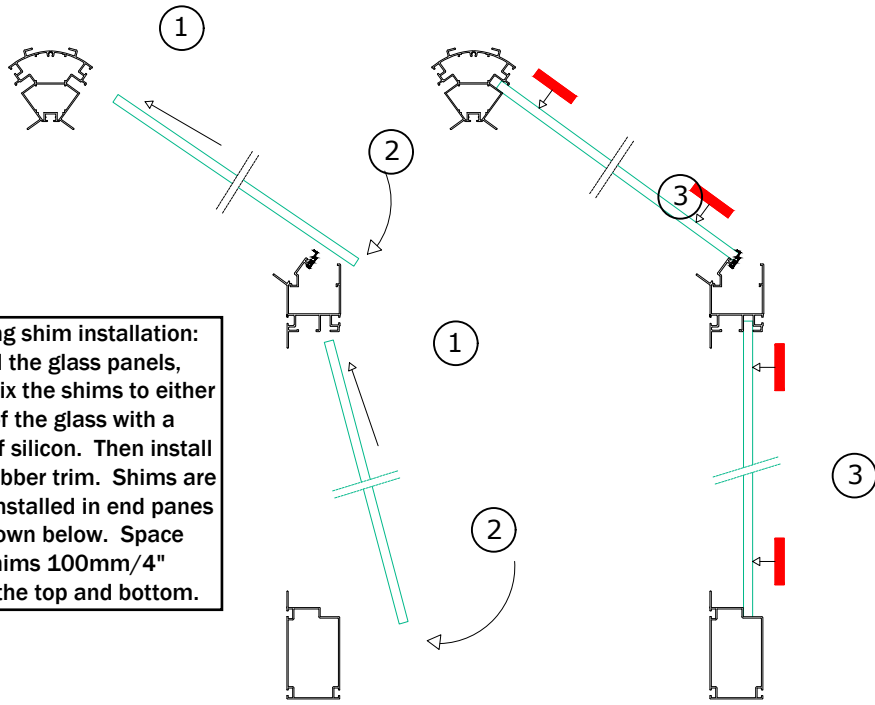
Be sure to place two clips to reinforce each of the interior corners and prevent glass from sliding

These illustrations outline the steps for installing certain roof glass pieces (marked by red X's in the diagram to the right).

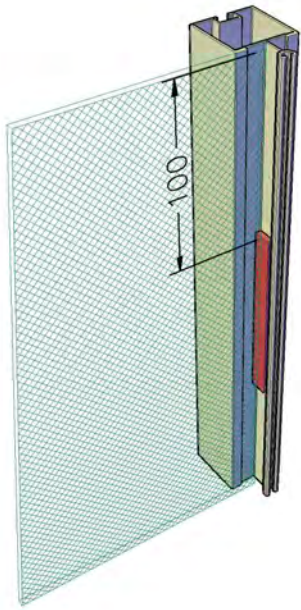
- 1) Locate the portion of the frame indicated in the diagram (RED lines)
- 2) Carefully slide the glass pieces into place
- 3) Fit the frame pieces (GREEN lines) so that each glass pane is held in place from all sides



ROYAL-TM 21



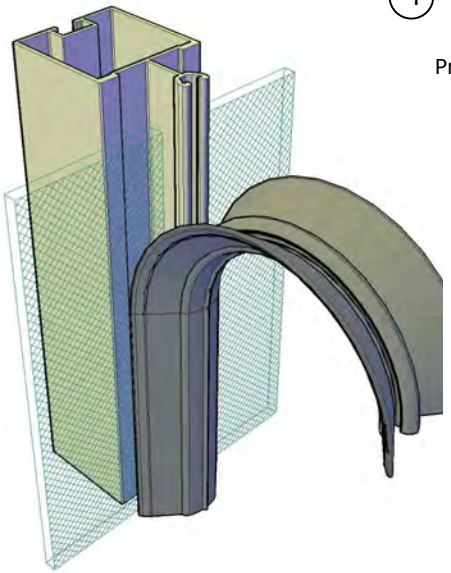
Glazing shim installation:
 Install the glass panels,
 then fix the shims to either
 side of the glass with a
 dab of silicon. Then install
 the rubber trim. Shims are
 only installed in end panes
 as shown below. Space
 the shims 100mm/4"
 from the top and bottom.



3

SILICONEN

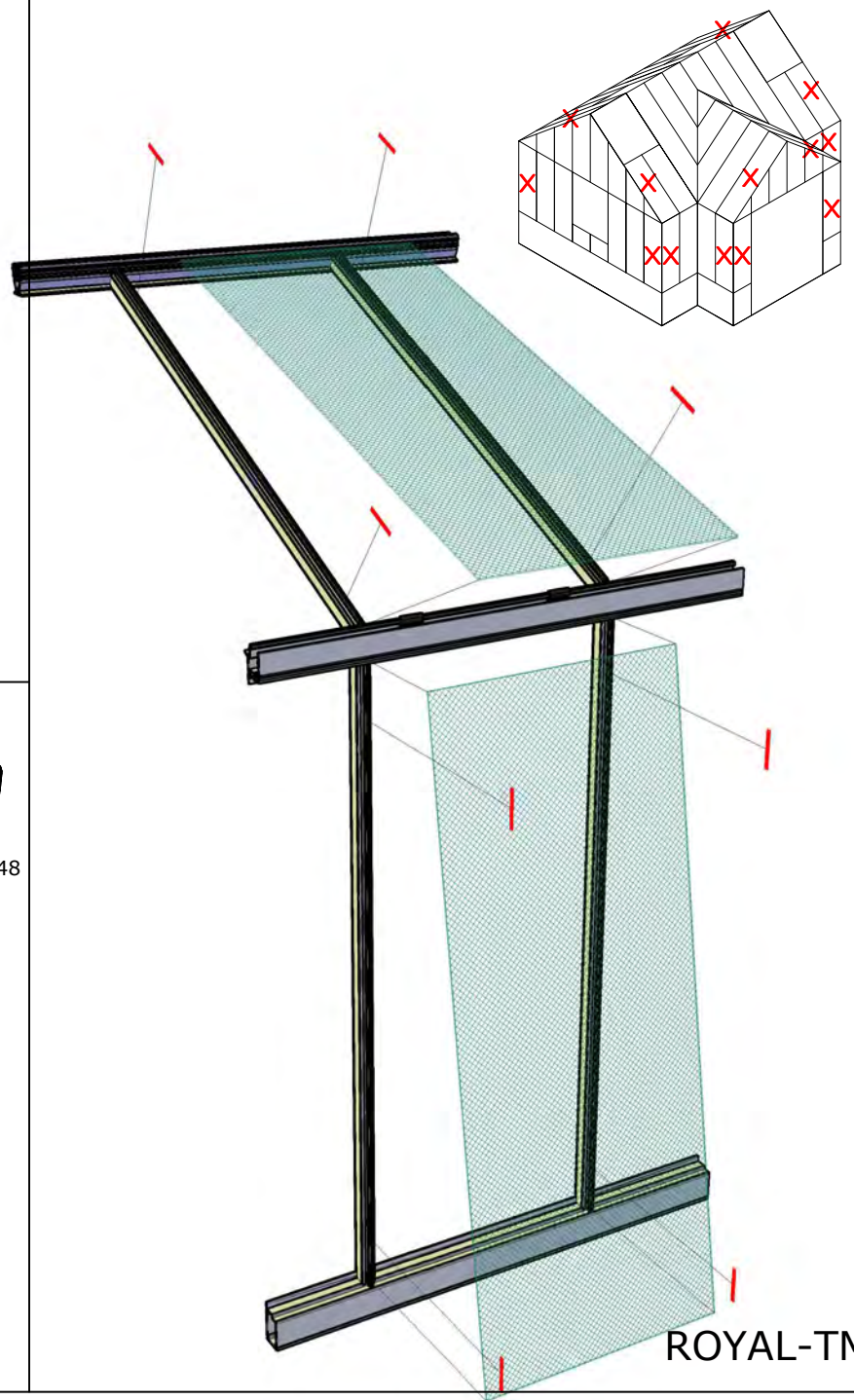
To install gasket,
 roll it back on
 itself as shown.
 The inner rib is
 pushed into the
 channel.
 If cold place
 rubber in the sun.
 It will be easier to
 insert when warm
 and pliable.









4

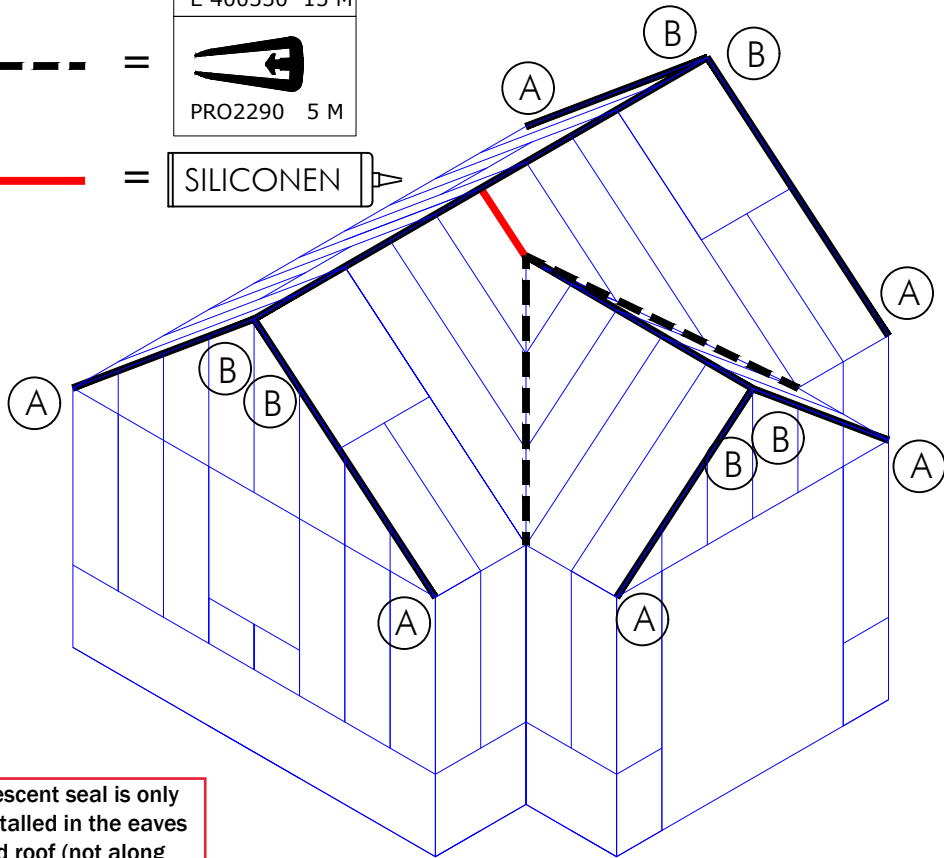


Pro 1748

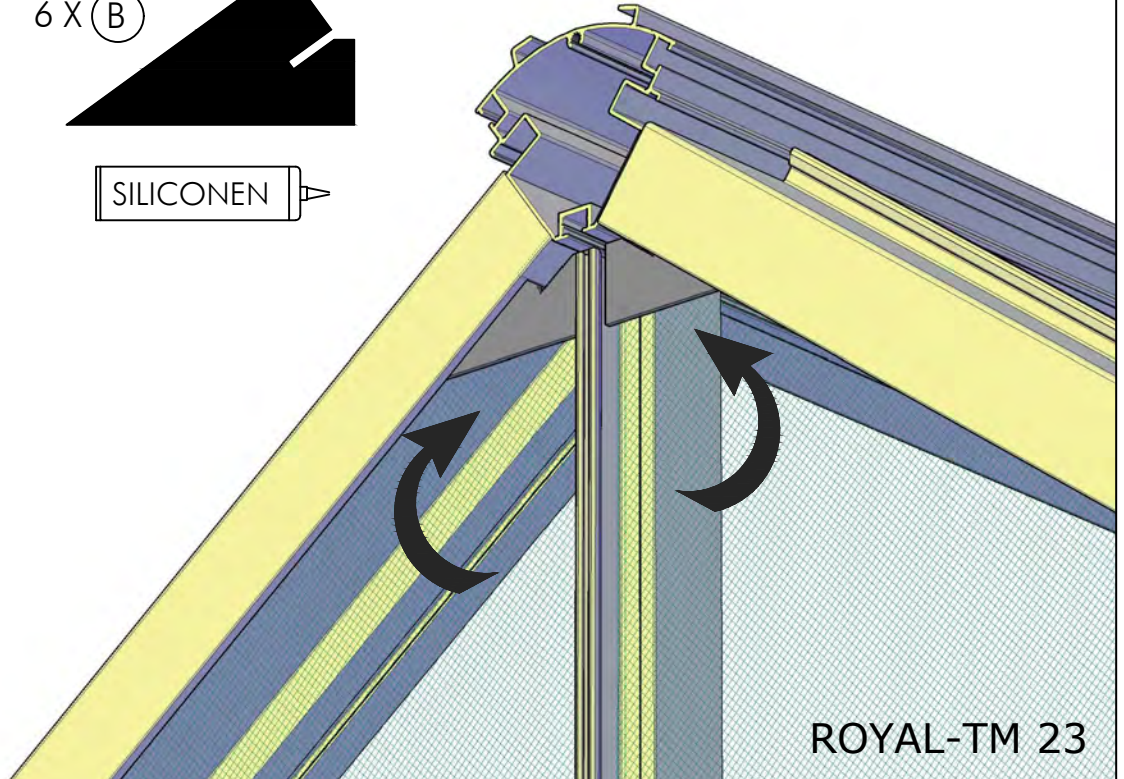
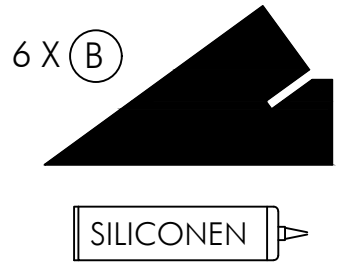
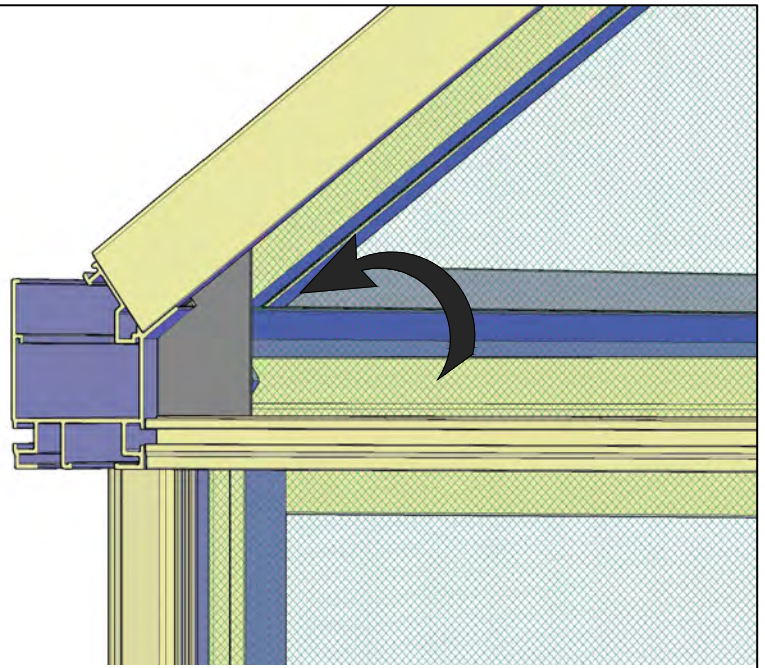
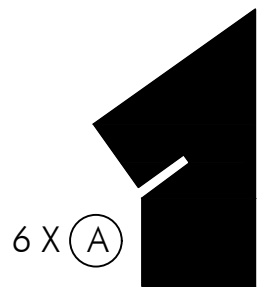
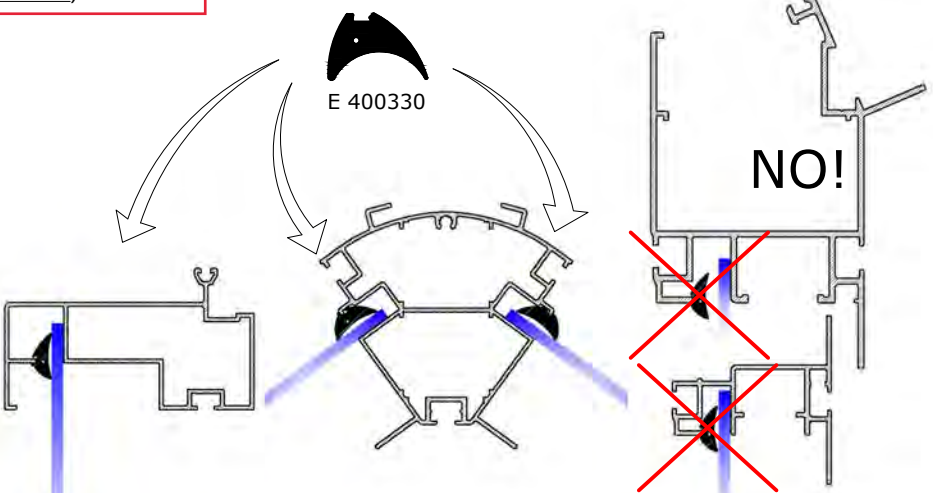


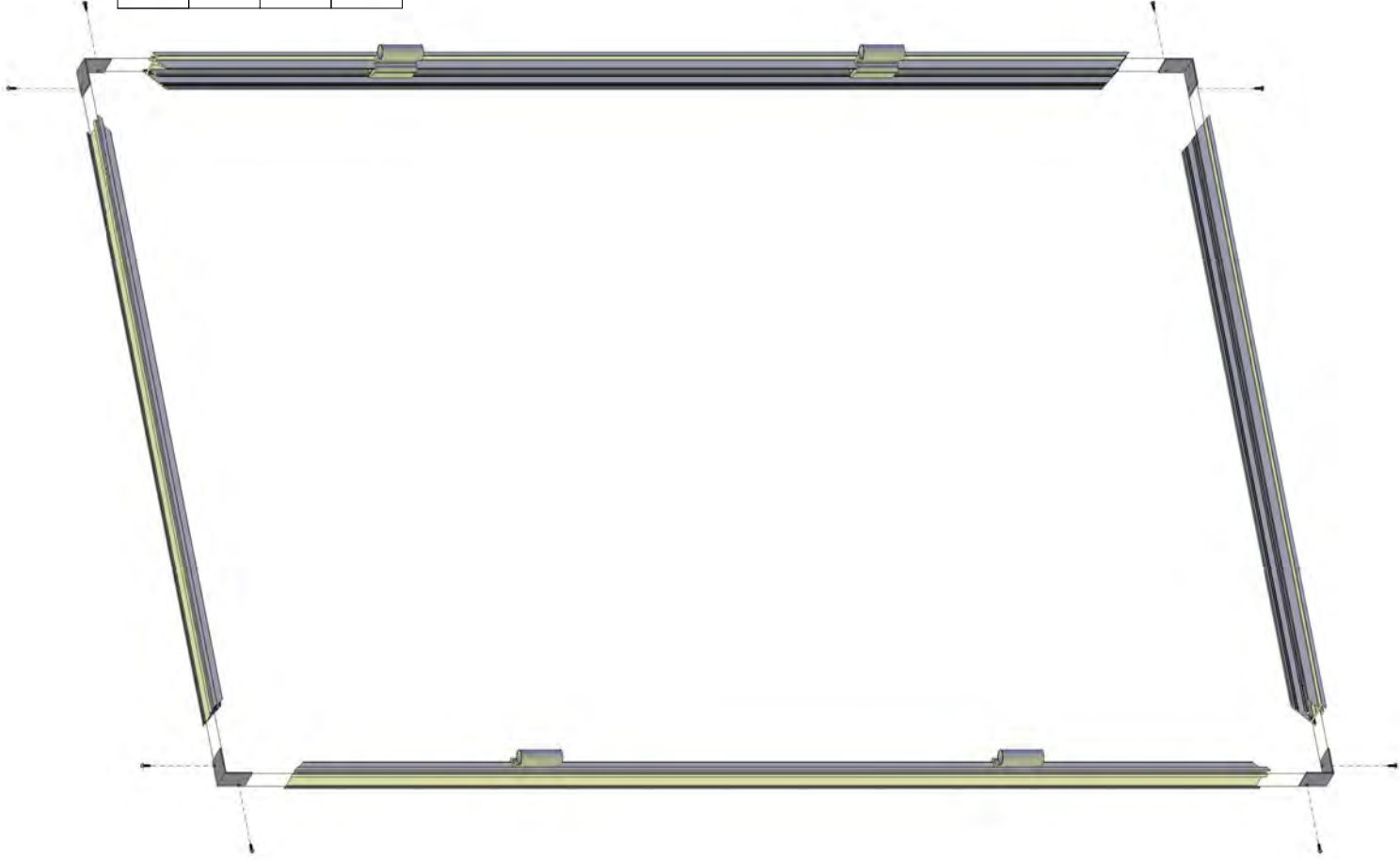
ROYAL-TM 22

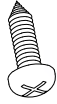
-  =  E 400330 15 M
-  =  PRO2290 5 M
-  =  SILICONEN

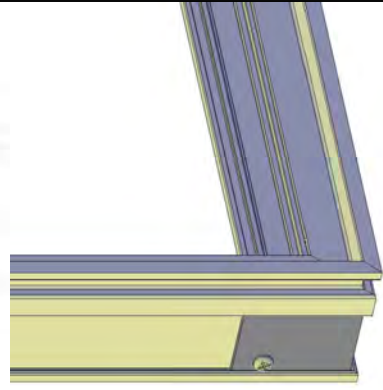
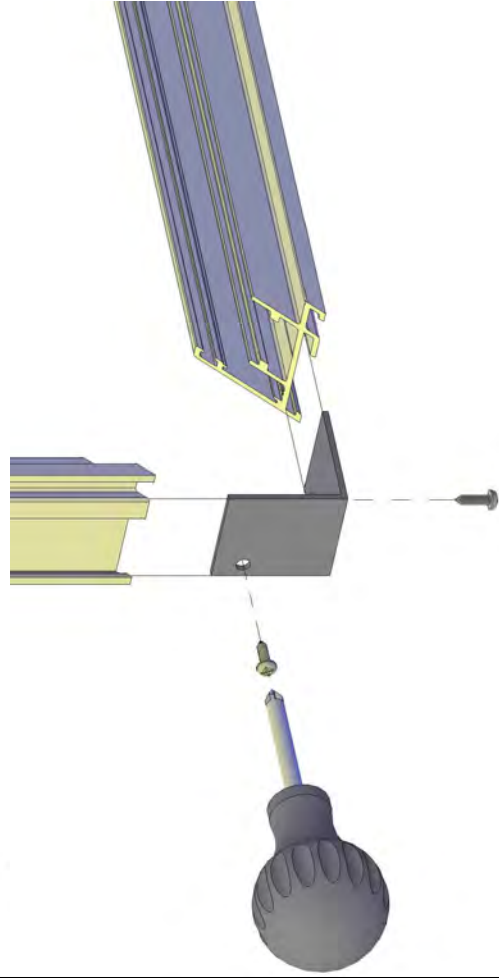


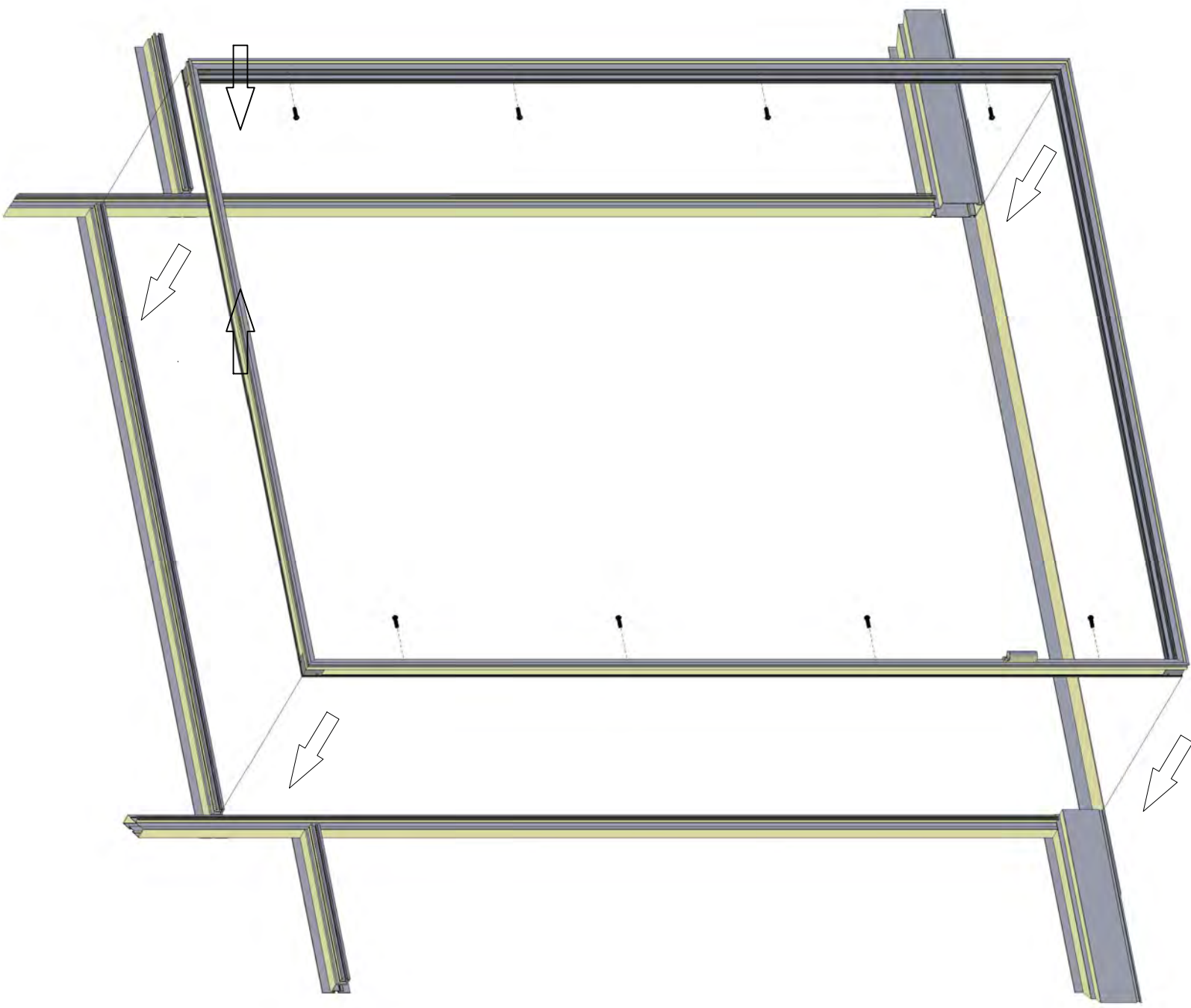
Crescent seal is only installed in the eaves and roof (not along side walls).



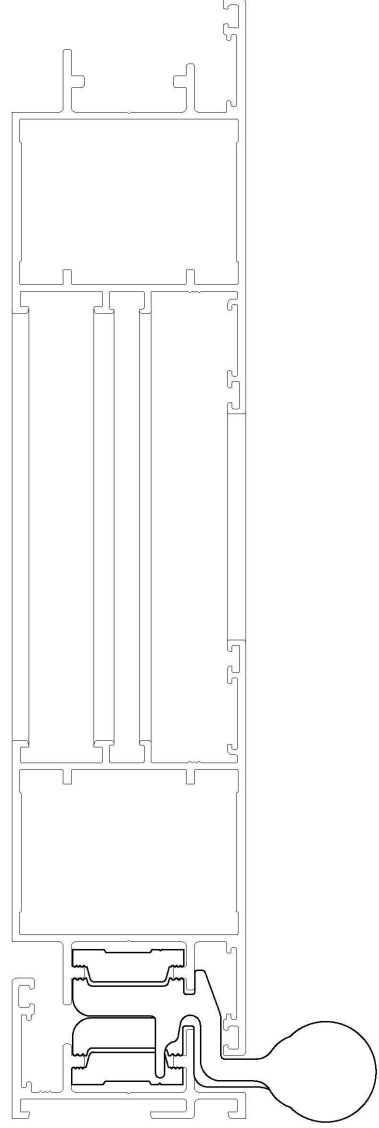
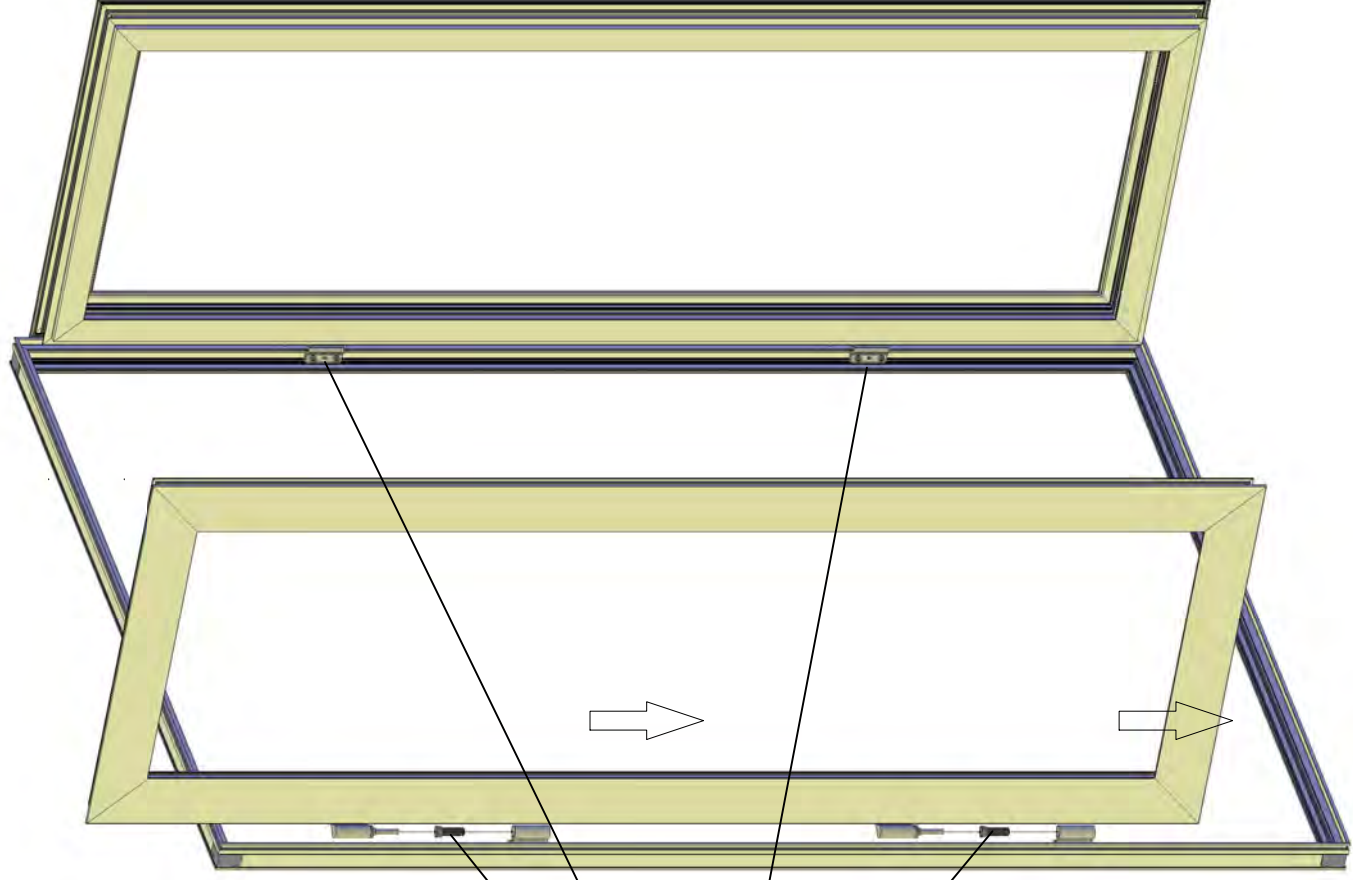
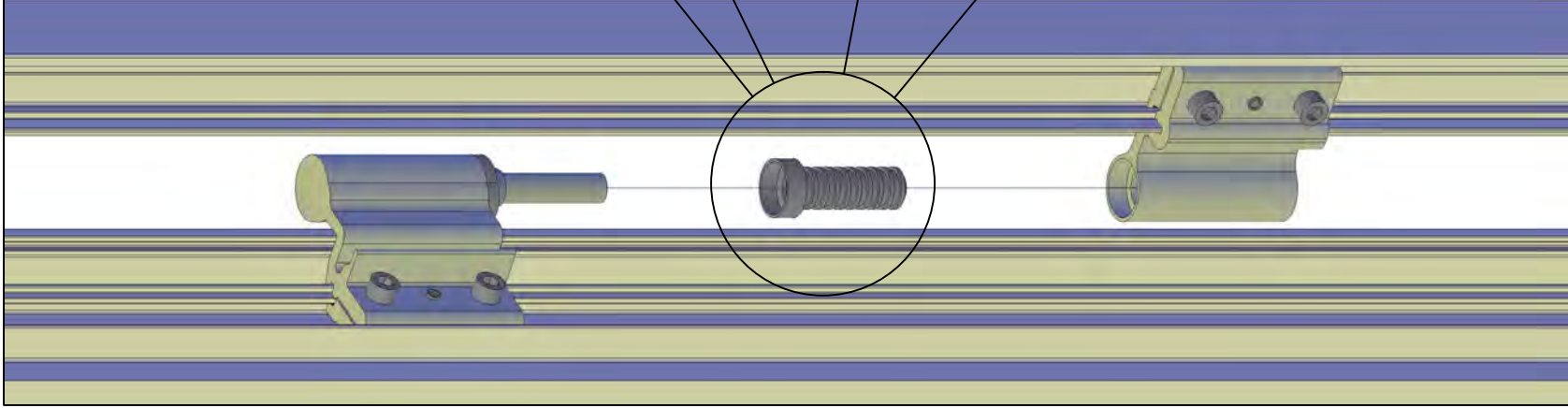


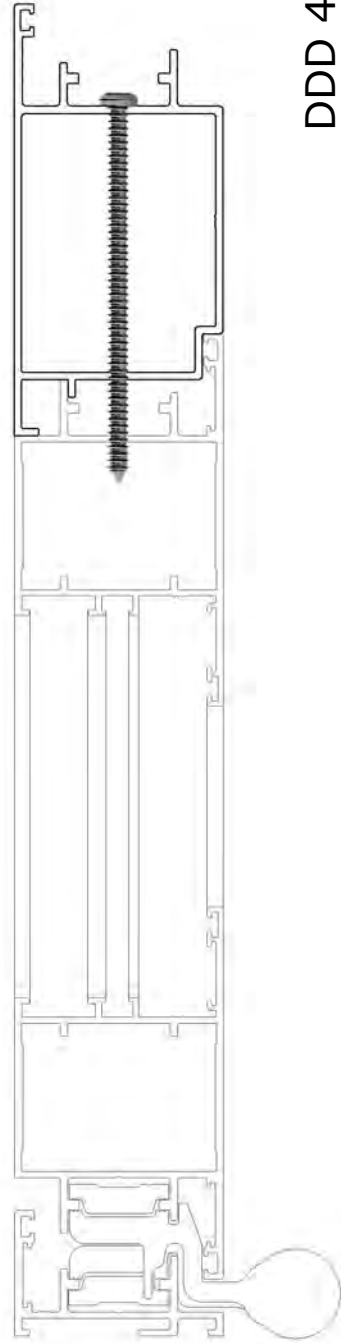
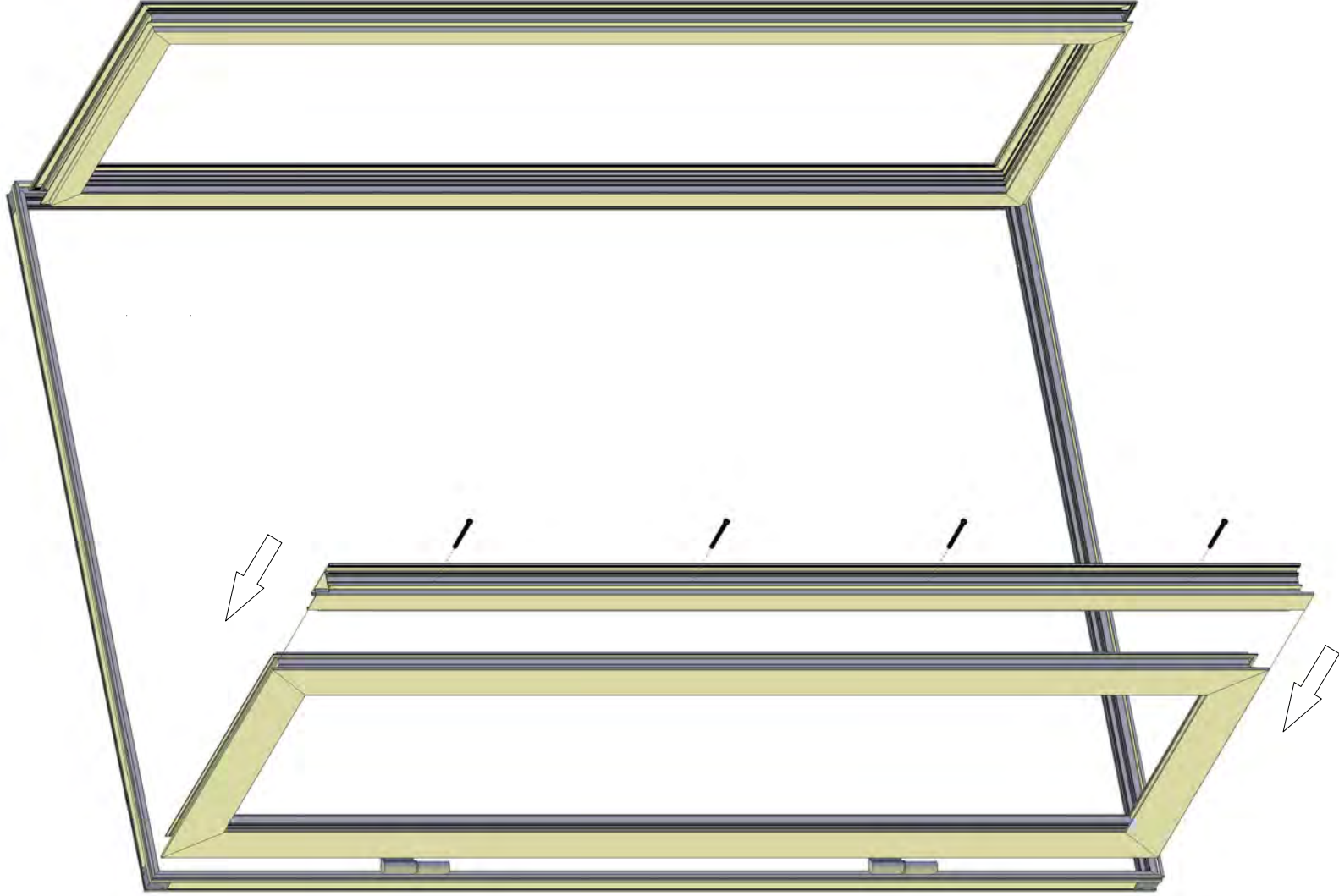
ITEM	PC.	L
L 40X40	4 PC	36 MM
PR06280	2 PC	1.441 MM
PR06280	2 PC	1.930 MM
	8 PC	



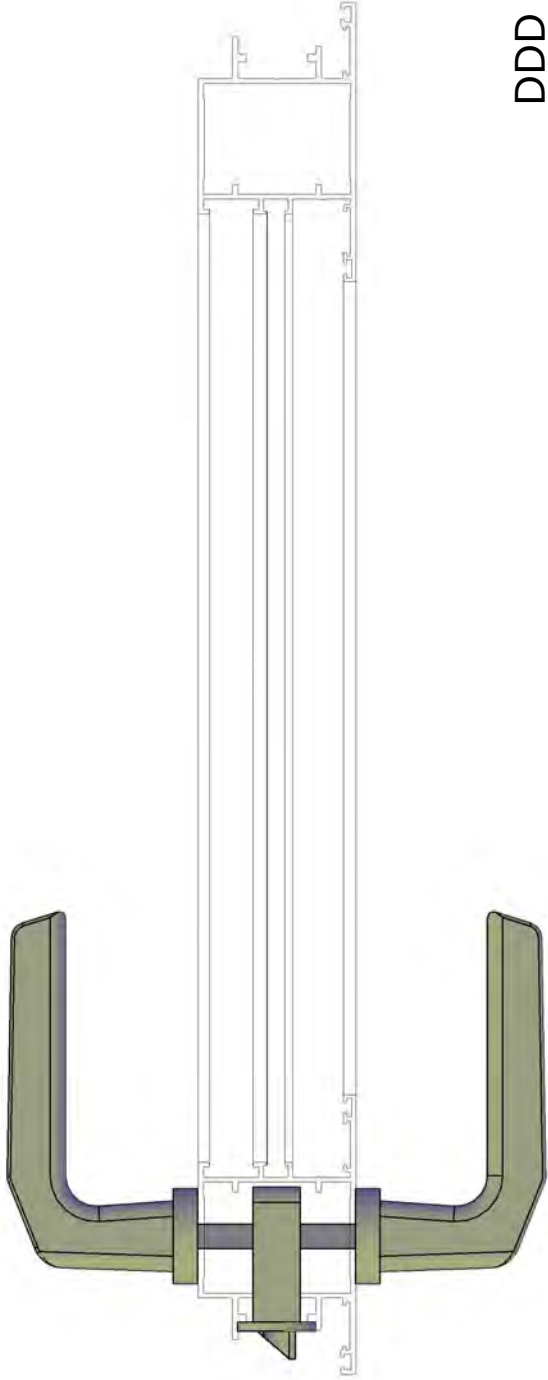
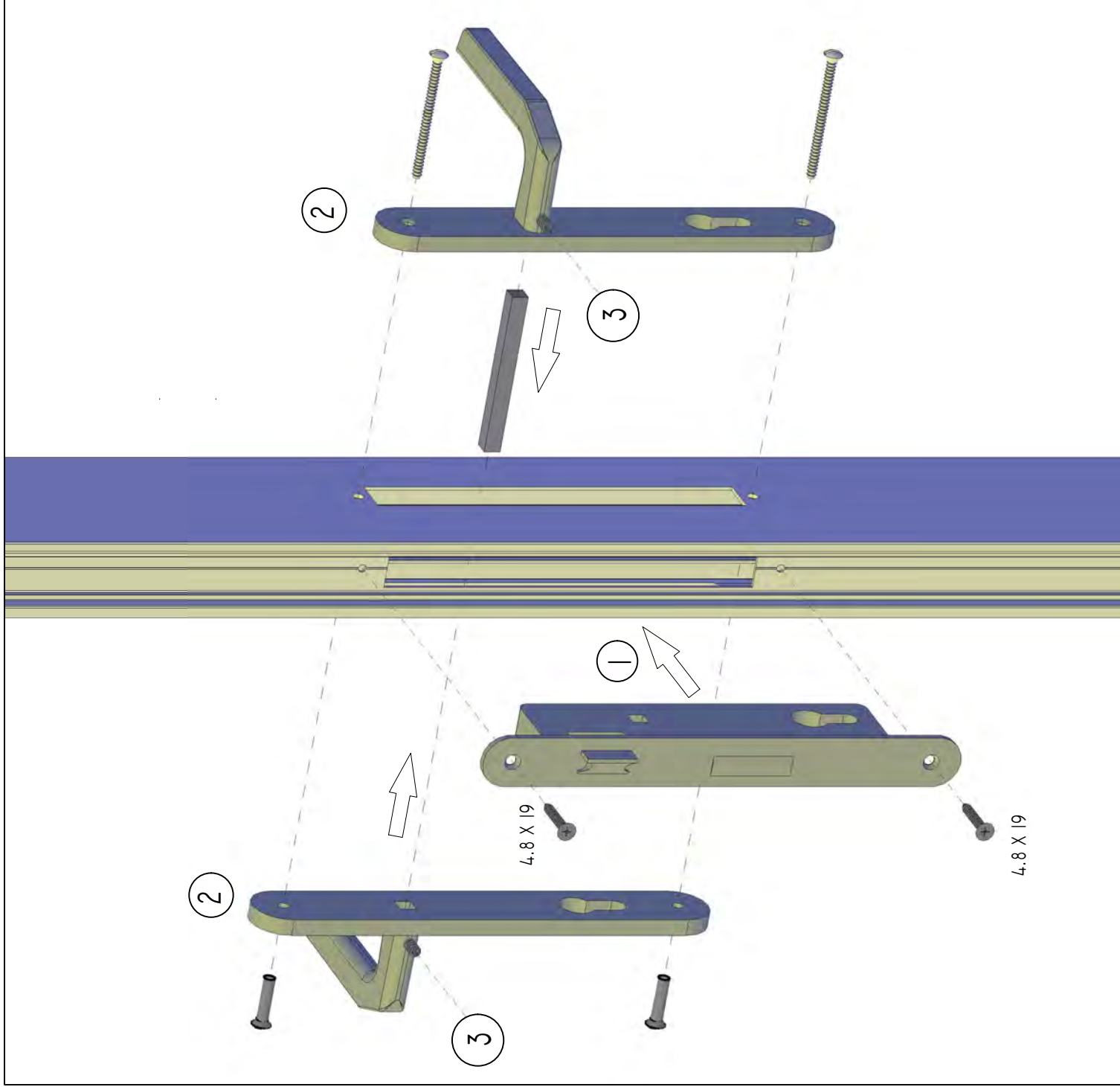


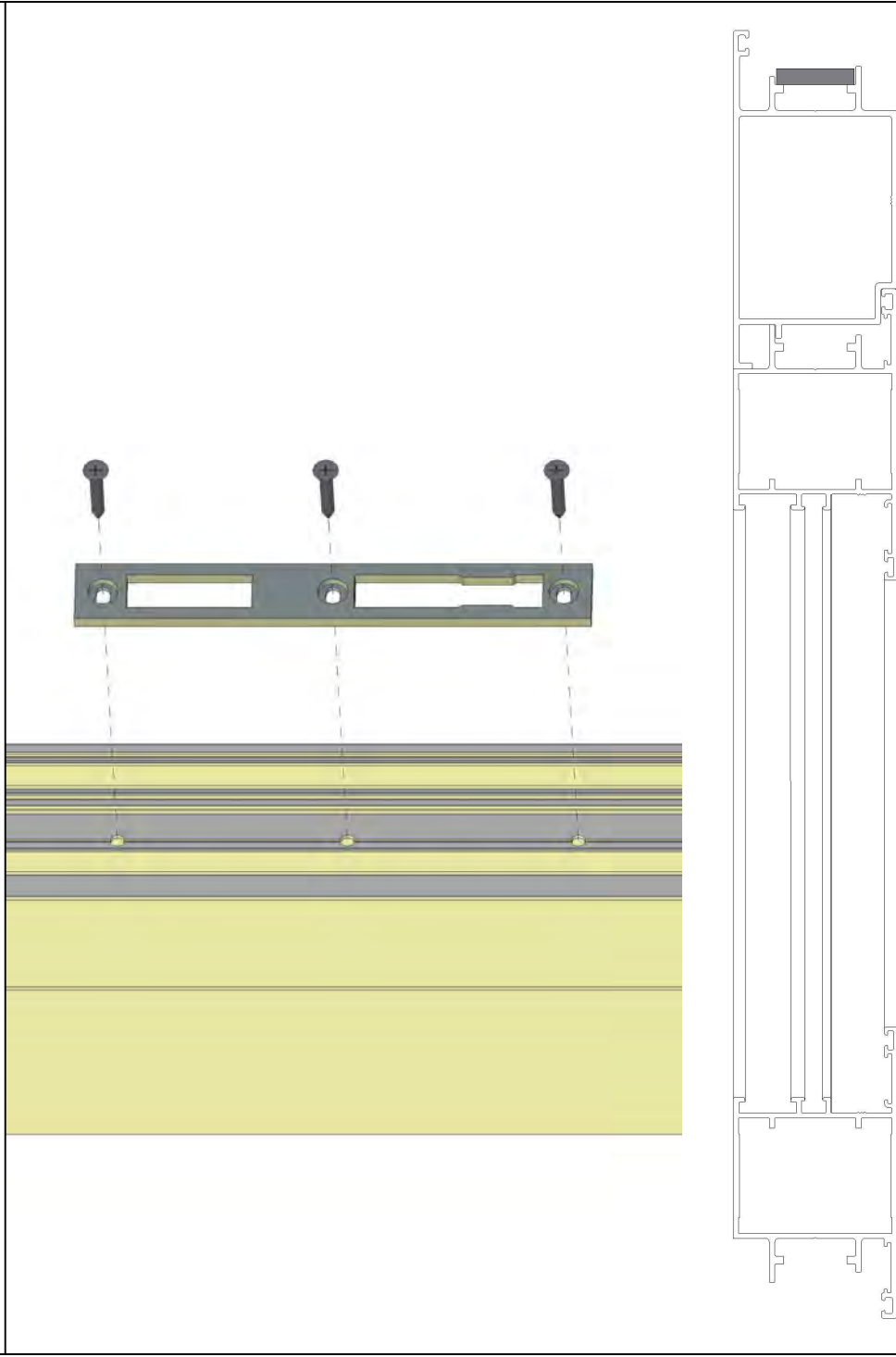
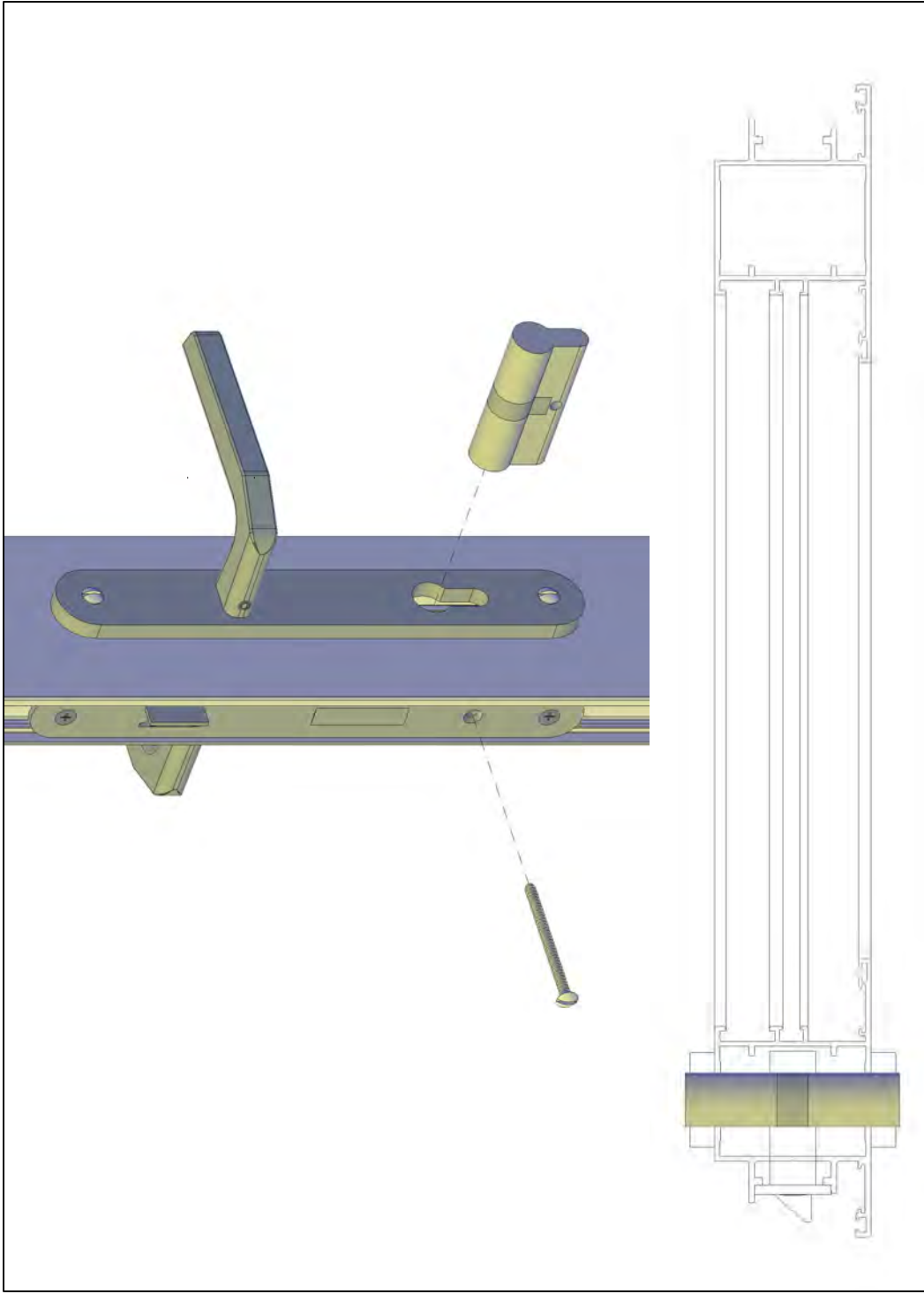
DDD 2

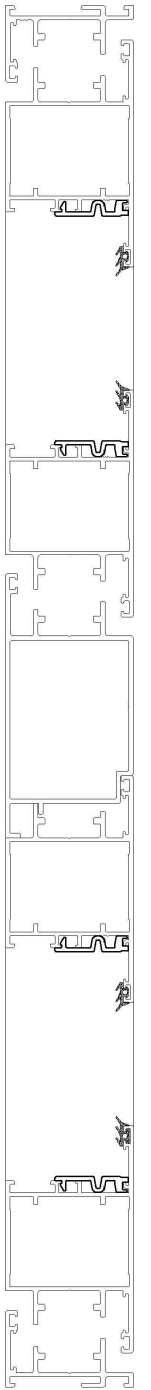
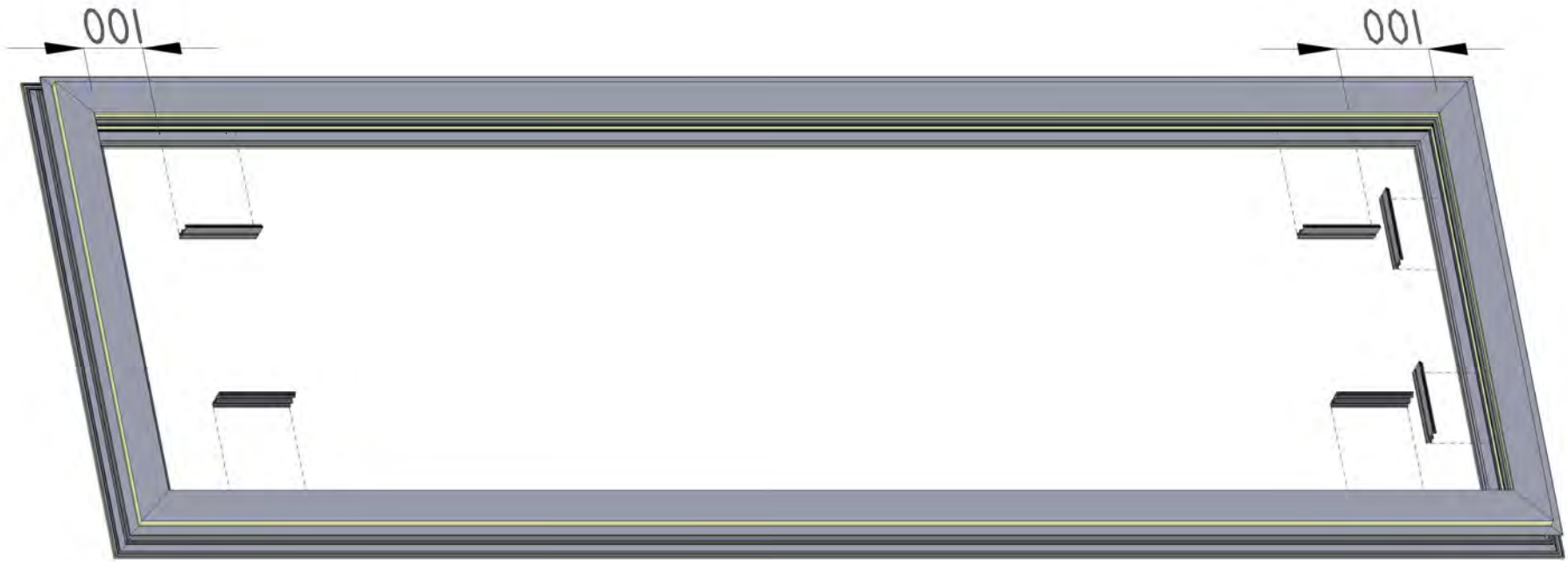




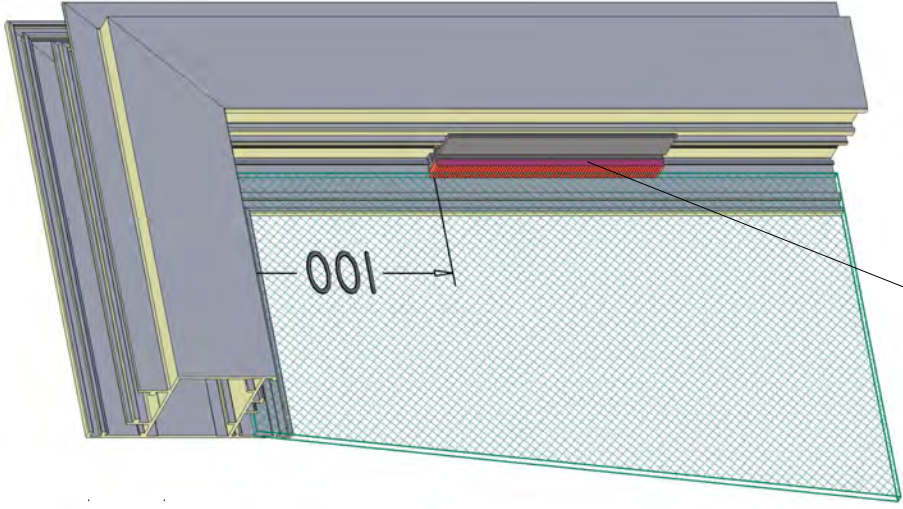
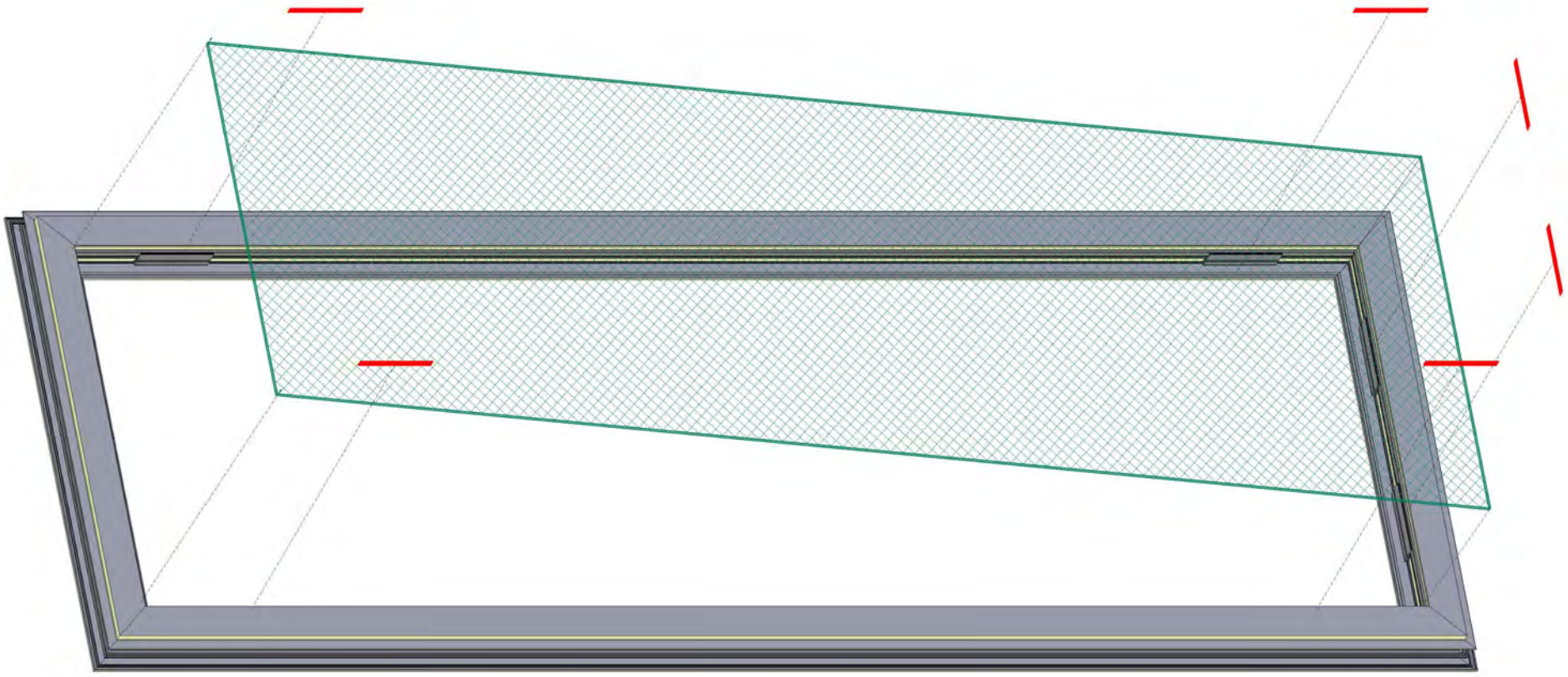
DDD 4



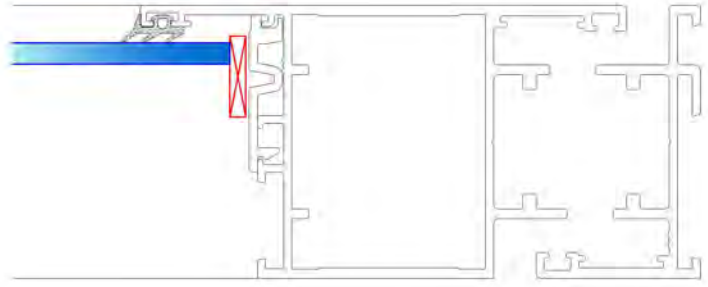




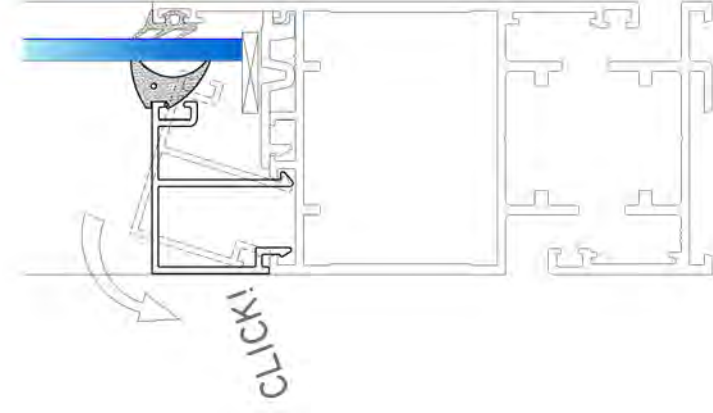
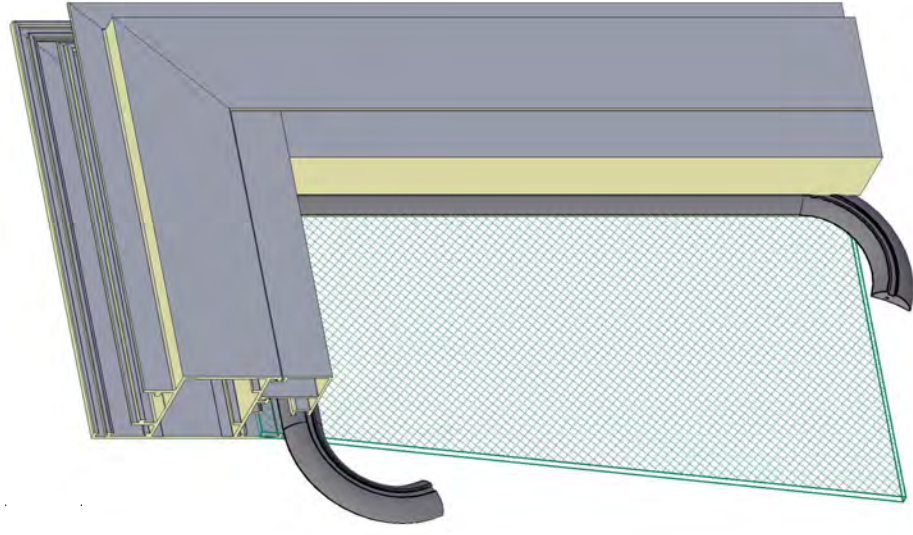
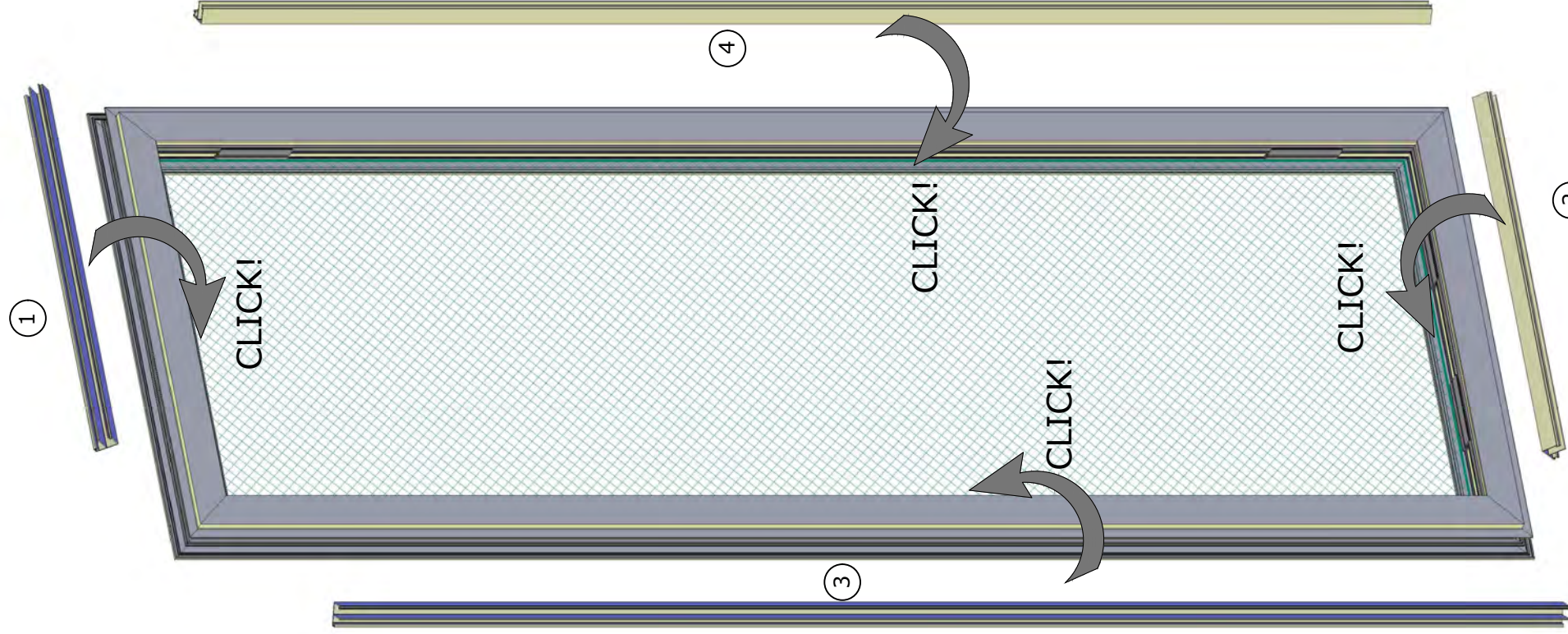
DDD 7

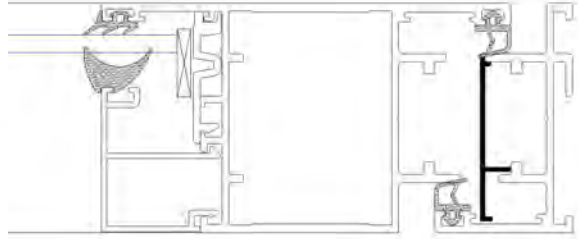
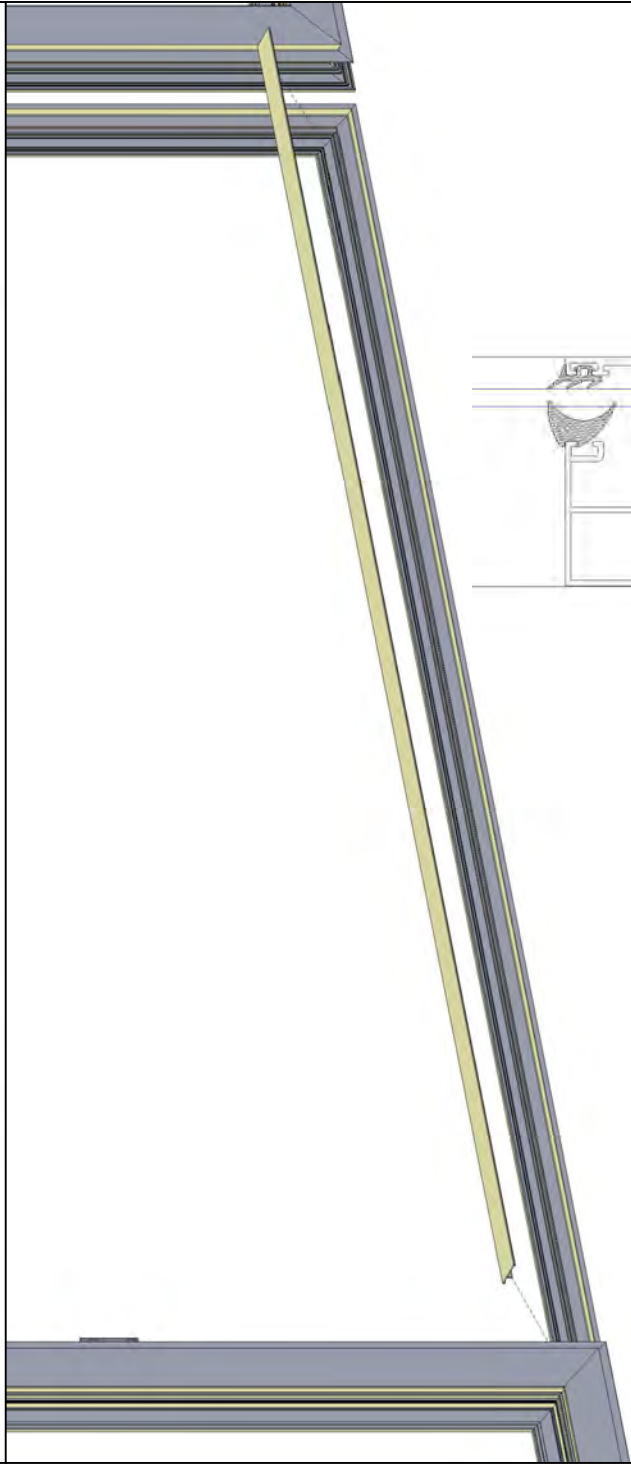
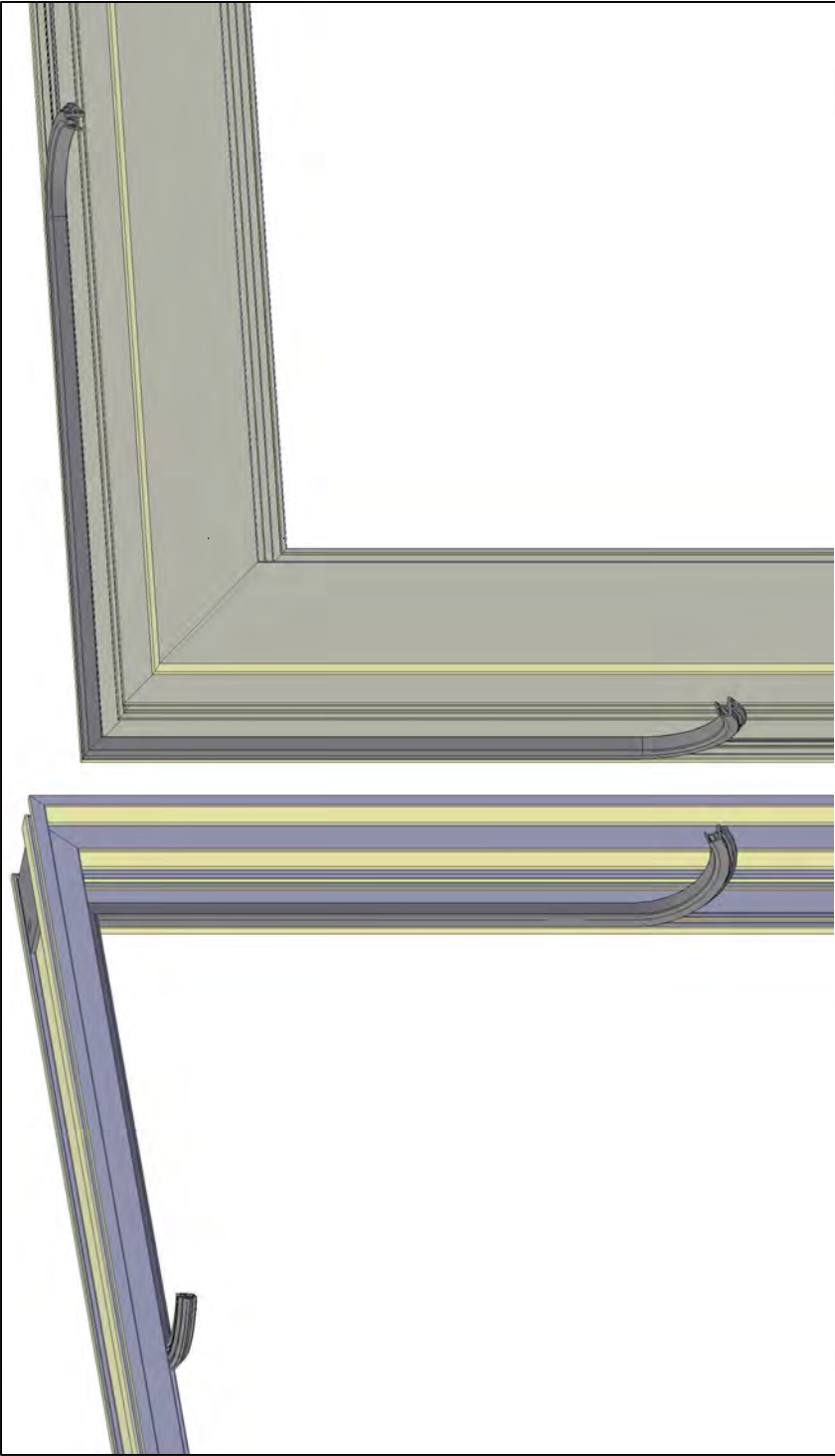


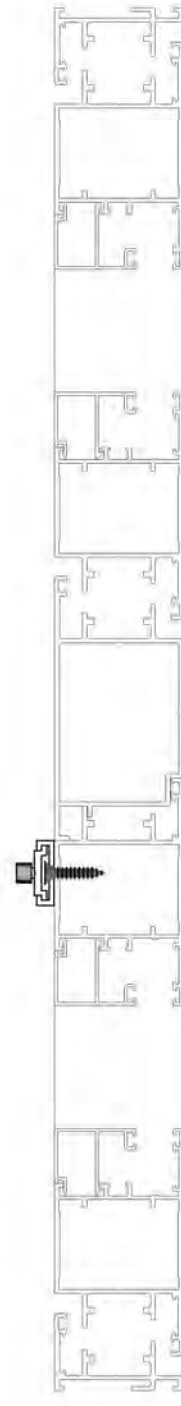
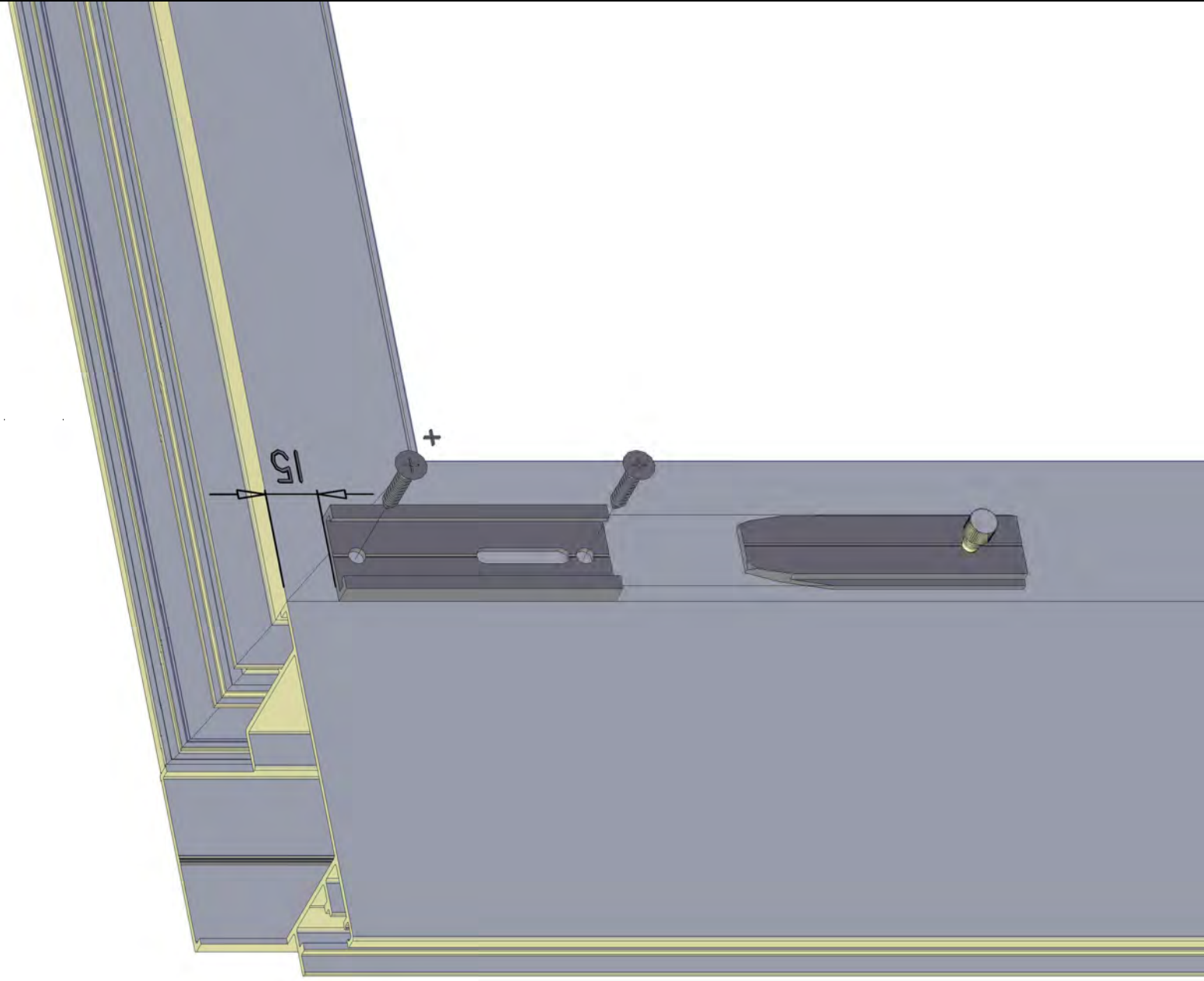
SILICONEN



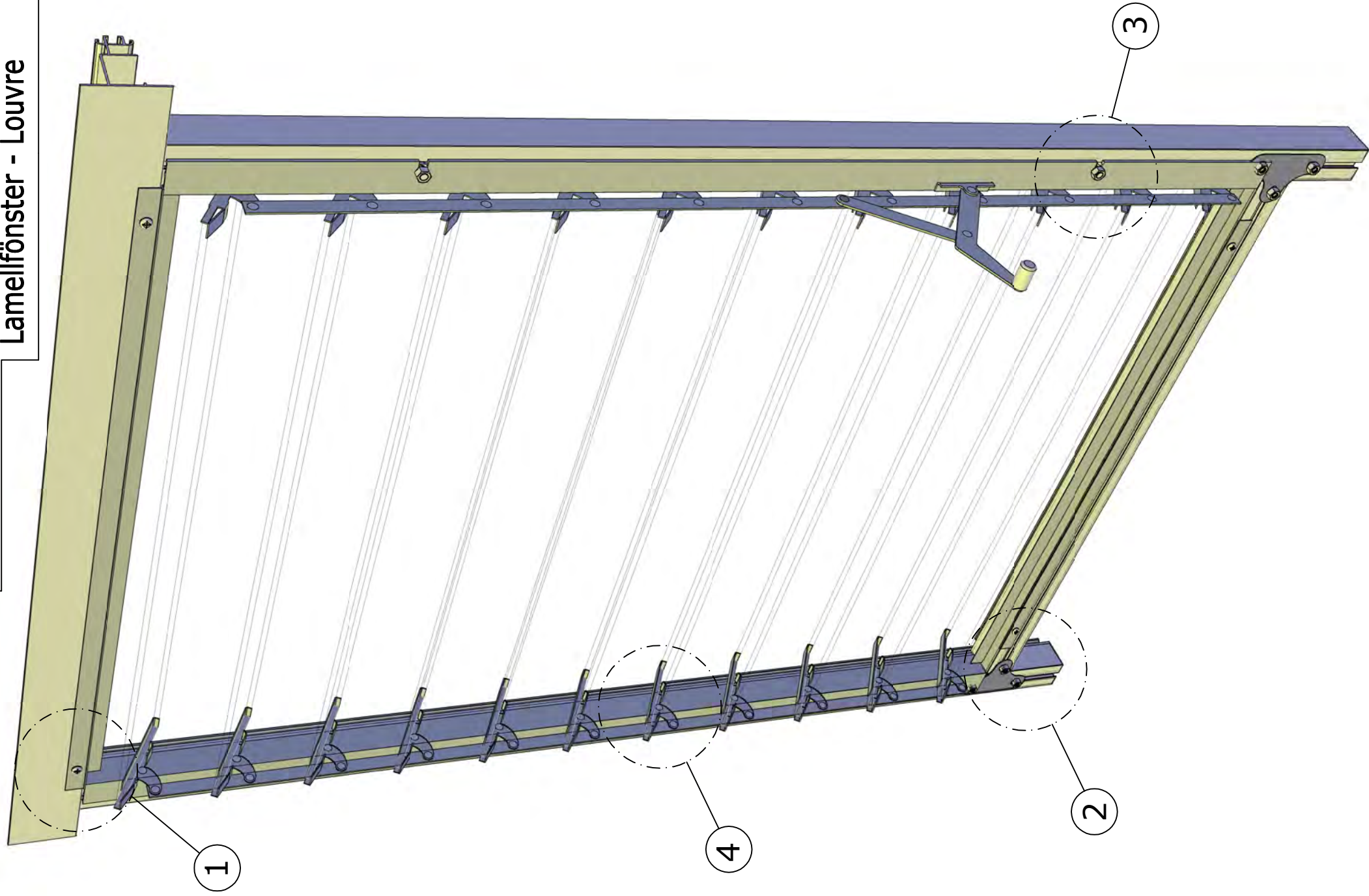
DDD 8



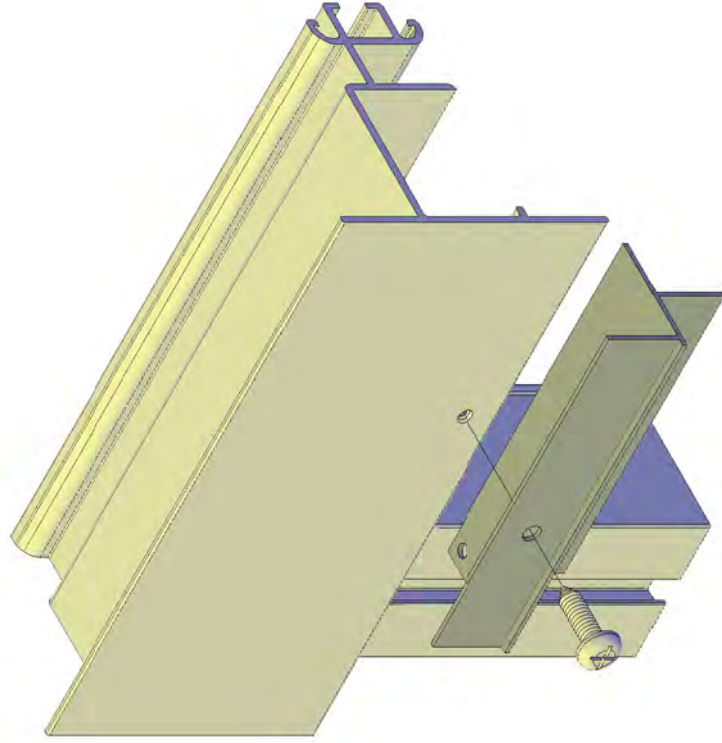




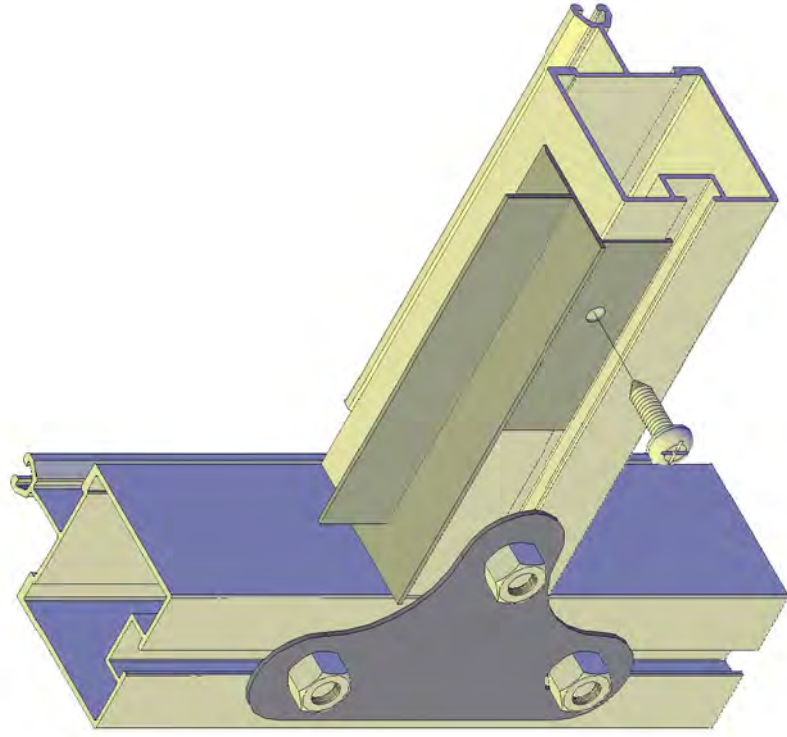
Lammelenraam - Lamellenfenster - Louvre vent
Lamellenfönster - Louvre



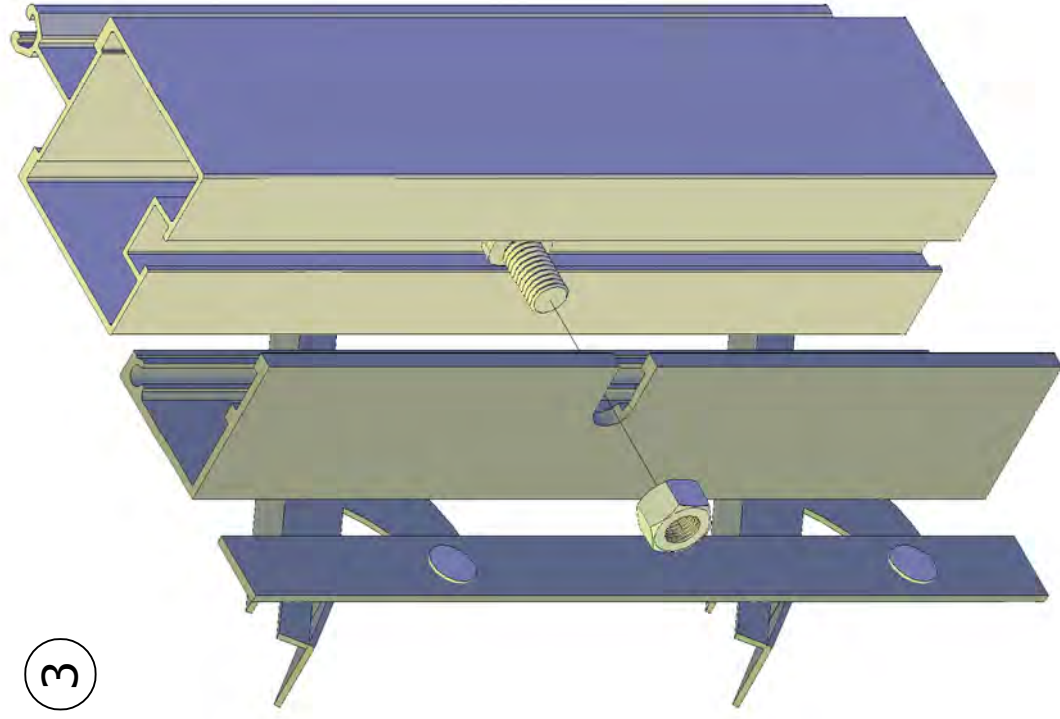
1



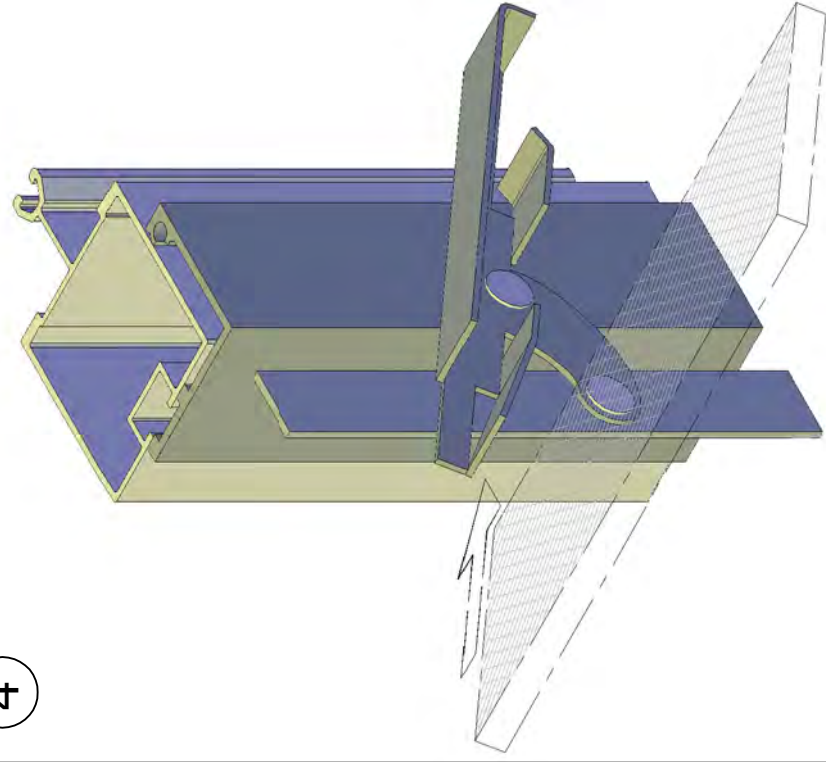
2



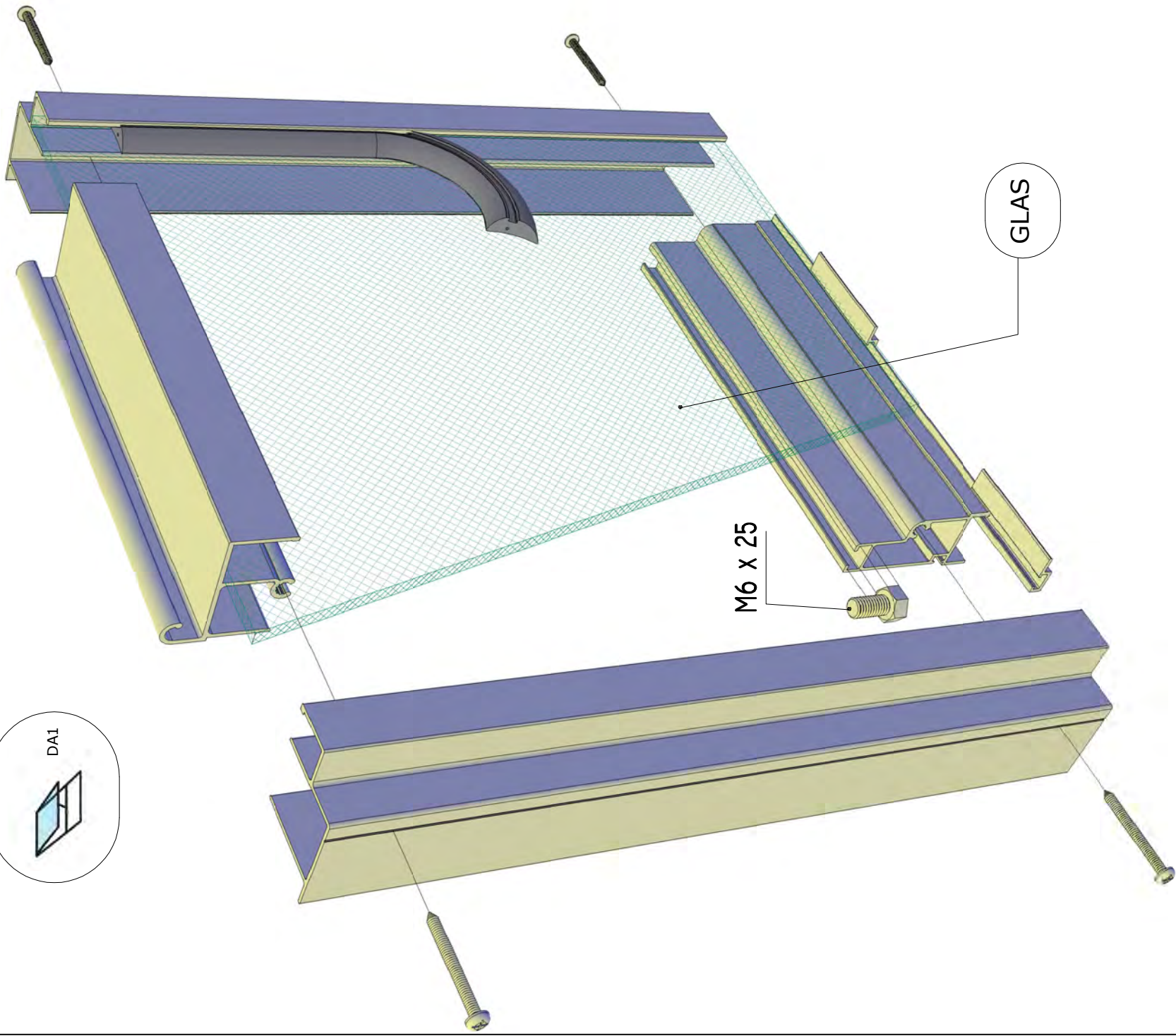
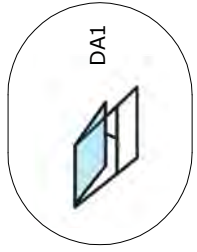
3



4

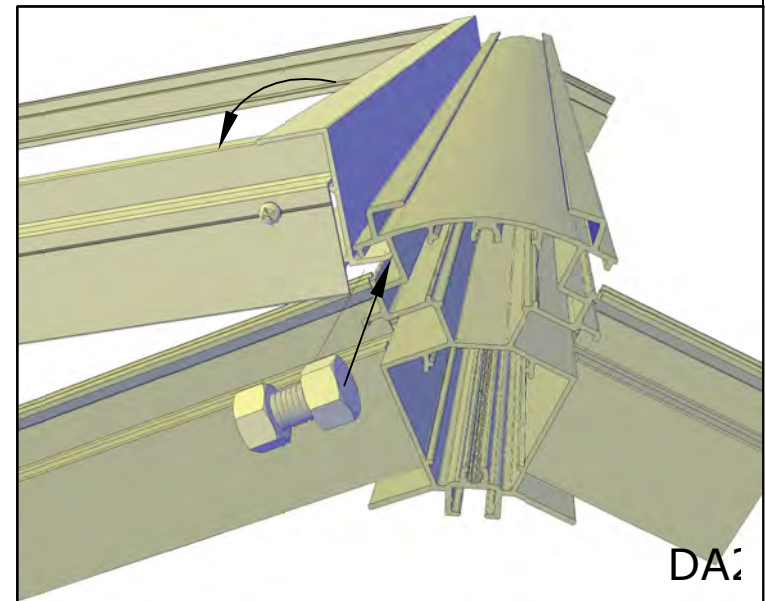
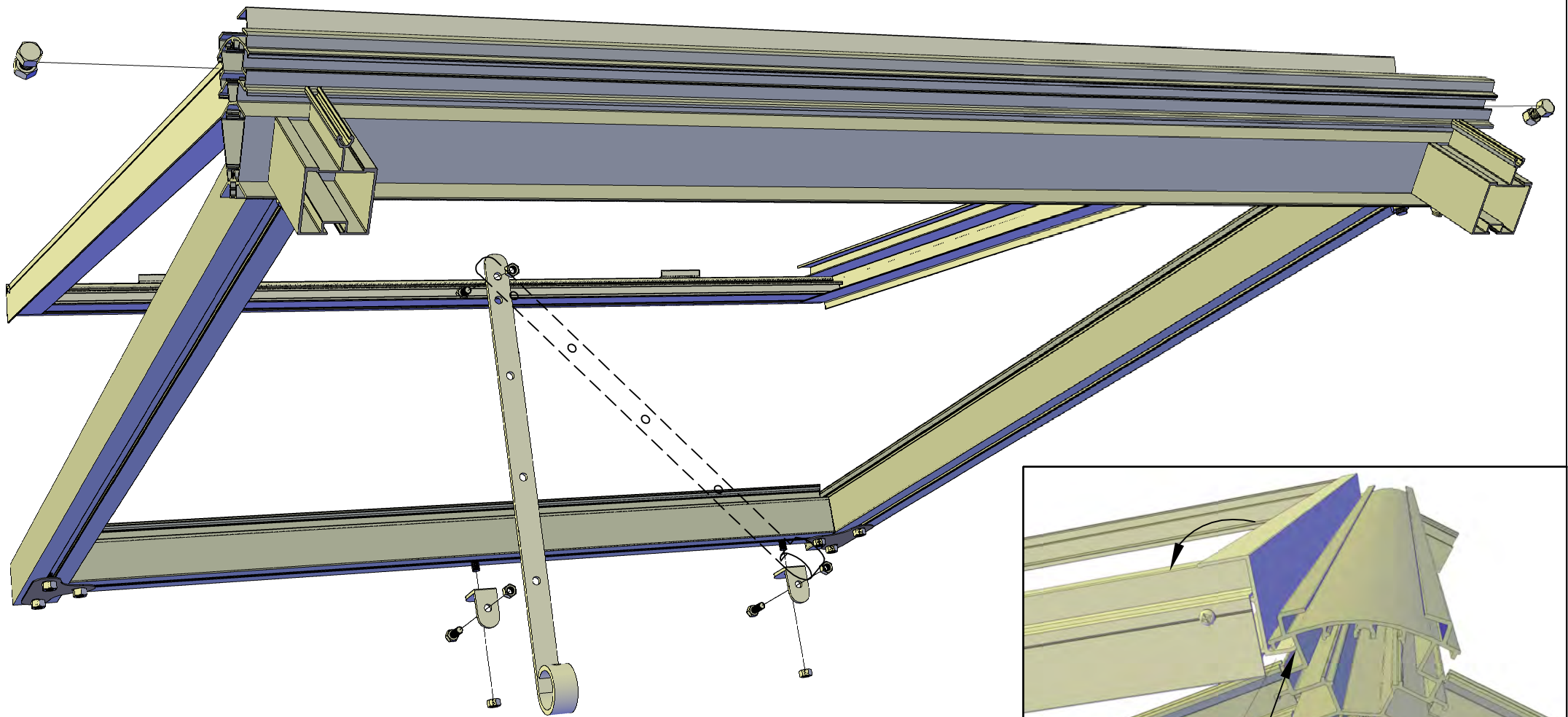


Dakraam-Lucarne-Dachfenster-Roofwindow-Tagvindue
Takluke-Takfönster-Finestra del tetto

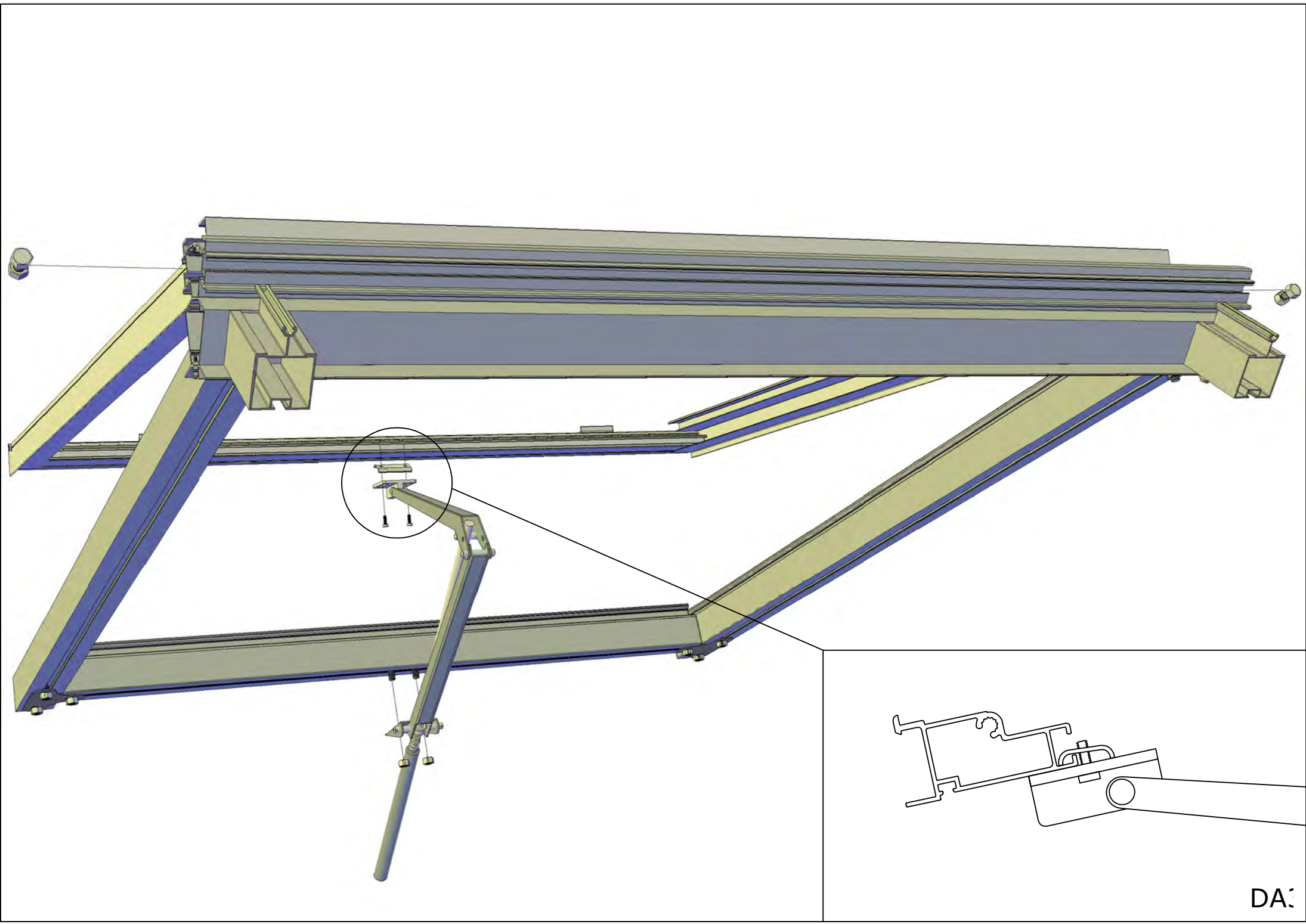


RUBBER E400330

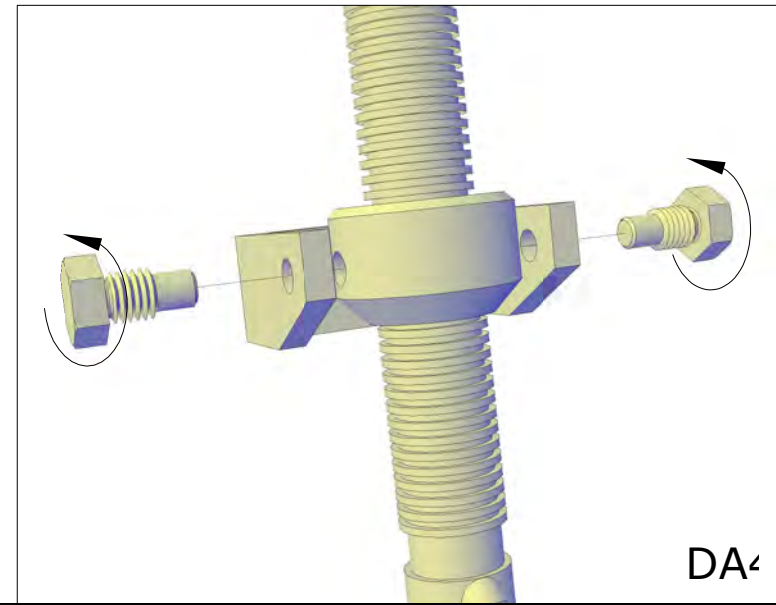
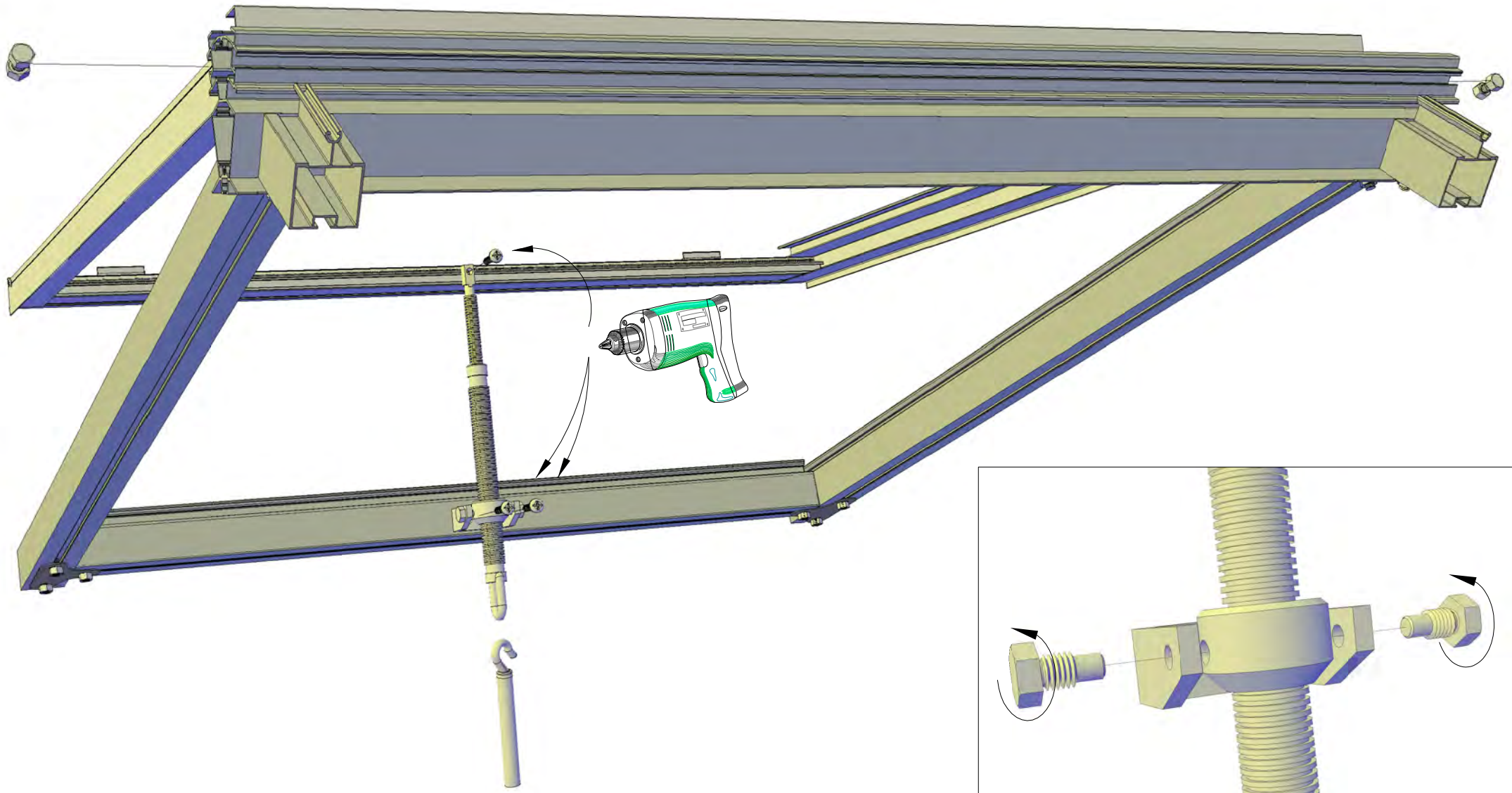
DA1



DA2



DA3



DA4

Janssens NV Mechelsesteenweg 388, B-2500 Lier Belgium
(T) +32 15 30 67 80 (W) www.janssens-alusystems.be (E) info@janssens-alusystems.be