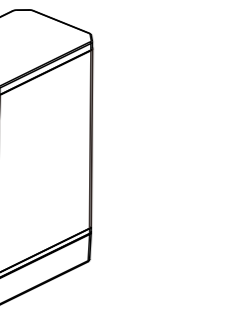


# QJ-MINI-01 Portable Oxygen Concentrator Quick Start Guide

## 【Intro】



### 【Product Description】

Portable Oxygen Concentrator MINI-01 adopts the internationally advanced technology of membrane oxygen enrichment, producing oxygen continuously with air as raw material. MINI-01 is small, lightweight, safe and reliable. The air produced is humid and clean. There is no residue in the device after using it. It is portable so you can use it anywhere. Furthermore, it is energy-saving and environmentally friendly. It also has long lifetime.

【Product Name】 Portable Oxygen Concentrator

【Product Model】 QJ-MINI-01

【Product Standard Code】 Q/SMQ005-2014

【Product Performance】

Power	≤18w
Weight	920g(Net Weight) + 380g(Battery Weight)
Dimensions	135mm x 85mm x 190mm
Atmospheric Pressure	50kpa – 106kpa
Ambient Temperature	5℃ – 40℃
Supply Voltage	9V – 12.6V
Flow Range	3– 3.5L/min
Oxygen Concentration	30%±2%
Noise Level	≤45dB(A)

【Main Parts】 MINI-01 is made up of two parts –main instrument and accessories (battery charger, car charger, headset-type oxygen tube, branched nasal oxygen cannula and backup-battery (the back-up battery is optional ).

【Scope of Application】 It is for oxygen-enriched air production and medical &health care.

【Contraindication】 None

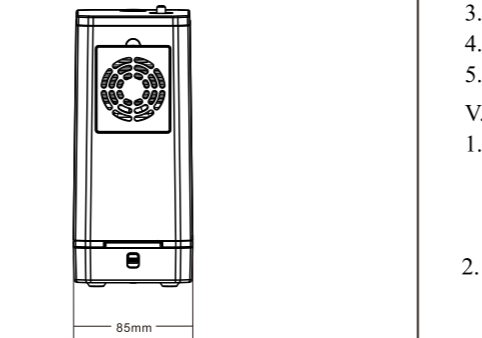
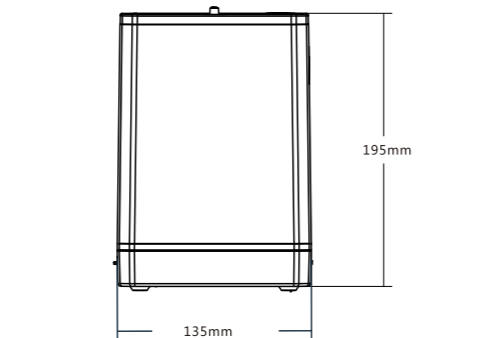
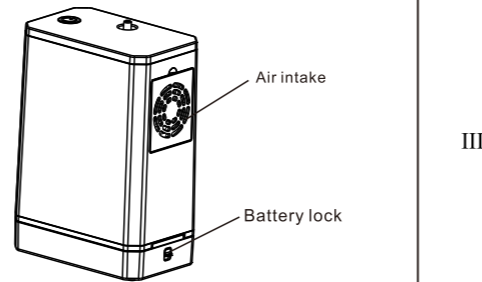
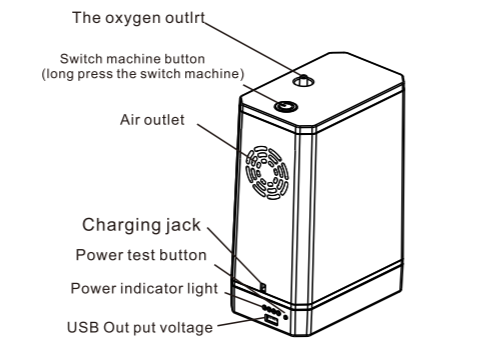
## 【Safety Precautions & Attentions】

1. Do not use the device in confined spaces or sooty air.
2. Do not use the device after using smoking insecticides indoors.
3. Do not use the device in damp environments, such as bathroom and sauna room.
4. This device is for enriched oxygen outlet; please do not use it while smoking.
5. This device was designed according to household appliances standards; please do not use it for any other purposes.
6. This device is for family health care only. It is not intended to be life sustaining or life supporting. Please use it under the guidance of physicians.
7. Do not block the oxygen outlet or air inlet.
8. Drops of water might appear on the device. (The water is to humidify the oxygen so it will not cause nasal passages during the oxygen inhalation.) Position the oxygen outlet downward so the drops of water will be poured out.

Oxygen is combustion gas. No smoking, fire or heat source are allowed when using the device.

Do not fold the oxygen tube or block the oxygen outlet during the oxygen production.

## 【Schematic diagram of instrument】



## 【Operating Instructions】

### I. Oxygen Tube (Manifold)

Select the tube of 85 cm and connect one end of it to the oxygen outlet. Put the small cup on the elastic band outside. The other end of the tube can be connected to the headset, mask and branched nasal oxygen cannula.

### II. Headset Oxygen Tube

Select the tube of 85 cm and connect one end of it to the oxygen outlet, and the other end to the air inlet of the headset. Then hang it over your ears (the oxygen outlet is on the left side of the head). Adjust the oxygen outlet of the headset oxygen tube to the appropriate position for better use.

### III. Branched Nasal Oxygen Cannula

Select the branched nasal oxygen cannula and then aim the oxygen outlet at your nostrils. Adjust it to the most appropriate position. Then hang the tubes over your ears. Butt the air inlet and the oxygen outlet. Adjust the relative position of the outlet and nostrils for better use.

### IV. Power On & Off Steps

1. Please read the safety precautions and attentions carefully before using the device.
2. Select the way of oxygen inhalation (Headset Oxygen Tube or Branched Nasal Oxygen Cannula). Connect the hose according to the installation instruction.
3. Long press the power button for 3 seconds, the device will start working.
4. Long press the power button for 3 seconds to power off the device.
5. You can put the device into your backpack so you can use it when you are walking.

### V. Battery Indicator

1. There are 4 blue indicator lights and 1 battery indicator on the side of the battery, showing the state of charge of the device. When battery is fully charged, 4 blue indicator lights are on. As the battery is consumed, 4 blue indicator lights go out from right to left. When battery is low, there is auto power-off.
2. The USB interface can offer 5V and 2A output and mobile phone charging.

## 【Cleaning, Care and Maintenance】

### I. Cleaning

Be sure to clean the accessories like headset and nasal suction after every use. Please switch the concentrator off before any cleaning steps.

1. Separate the headset and nasal oxygen cannula. Wash them with washing agents in the hot water and rinse them thoroughly. You can also soak them in a mixture of 1 part vinegar and 4 parts water in a clean container for 30 minutes.
2. Take the accessories out from the container and let them dry.

### II. Accessories like headset and nasal suction

1. If the device is used by more than one person, the accessories are not allowed to share and they should be placed to specified garbage collection to avoid the cross-infection.
2. If the device is used by one person, the user can reuse it. The accessories that have been used should be cleaned and disinfected. The cleaning should be carried out every three days. You can use wipe around accessories with medical alcohol or disinfect with boiling water. It is suggested that replace the accessories every 30 days.  
Disposal of wasted accessories: comply with the national laws and regulations and avoid the cross-infection.

### III Maintenance

#### Care of the housing:

Don't use any unctuous solvents or washing agents to clean the housing. Gentle wet cloth and sponge are preferred. The housing should be well dried.

【Storage Condition】 The environment temperature is between -20℃ to 55℃. The storage room for packaged products should be well ventilated and without non-corrosive gases.

【Delivery Requirement】 During the delivery of packaged products, keep them straight up. Handle with care and keep them away from the rain.

#### IV. Fault Detection and Maintenance

The troubleshooting sheet below provides solutions to some possible issues you may encounter. If it doesn't help, please contact the suppliers. Do not try any other maintenance. Do not open the housing in case of damage. Only authorized professionals are allowed to open the housing.

## 【Warranty Card】

This card is the basic voucher of warranty. Please fill it out carefully and properly preserve it.

Problem	Recommended Solution
Concentrator does not work.	1. Check the power indicator to see if there is power. 2. Check battery contact is good. 3. If there is any problem with the equipment, please call the service hotline
Battery is discharged.	1. Check the charging socket for damage. 2. Check the charger for damage. 3. Check the rechargeable battery for damage.
The oxygen is small	1. If the instrument is blocked by foreign matter, remove it gently with forceps. 2. Instrument use time is too long, dust and dirt serious, clean maintenance can be.

### 【Warranty regulations】

Dear customers:

Thank you for using our products. To protect your benefits, please read the warranty provisions below carefully when considering buying.

I. The warranty period is one year (after the date of your purchase on the receipt). We will offer free warranty only for the breakdowns or damages caused by quality problems of the product itself (not man-made).

II. We are not responsible for unauthorized disassembly, modification or installation or the breakdowns & damages caused by force majeure.

III. Within the free warranty period, if the following cases happen, we will charge material costs and service fee:

1. Out of warranty;
2. Lack of warranty card;
3. The breakdown caused by not following the manual instruction;
4. The damage caused by disassembly of the maintenance staff who are not from our company;
5. The breakdown, scratch and damage caused by delivery or drops.
6. Normal damage of fragile or consumable parts.

IV. The accessories (changer, mask and headset, etc.) are not covered by this warranty.

## 【Warranty Card】

This card is the basic voucher of warranty. Please fill it out carefully and properly preserve it.

Product Name and Model	
Date of Purchase	
Provider Company Name	
After-sale Service Hotline	
Product Standard Code	
Customer Name	
Contact Details	
Address	

\*This card only comes into force after sealing.

Filling out this card indicates that you agree on the use of your personal information above as parts of our after-sales service.

Thank you for choosing Portable Oxygen Concentrator QJ-MINI-01. Please read the user manual carefully for safety before you use it.

Thank you for choosing  
Portable Oxygen Concentrator  
QJ-MINI-01.  
Please read the user manual carefully for  
safety before you use it.  
Please keep the user manual safe so that  
you may read it at any time when  
necessary.