

COMPONENTS

- Material: Food approved high density polyethylene
- Standard Color: White (Other colors on request)

WALL THICKNESS	cm	inch
• Pail	.130	.051
• Drop Lid (616)	.114	.045

STANDARD WEIGHT (+/- 2%)	g	lb.
• Pail	324	0.71
• Drop Lid (616)	73	0.16

THERMAL RESISTANCE (Tested with water)

- Filling from 38°C (-36°F) to 82°C (180°F)
- Warehousing from -40°C (-40°F) to 39°C (102°F)

CAPACITIES

VOLUME	Litres	GALLONS	
		Imp.	U.S.
Nominal	11.40	2.51	3.01
Maximum to Overflow	11.78	2.59	3.11
Maximum with Drop Lid	11.48	2.52	3.03

PRODUCT DENSITY g/cm ³	Maximum Weight Filled with Lid	
	DROP LID	
	kg	lb
0.5	5.94	13.06
0.6	7.12	15.67
0.7	8.31	18.28
0.8	9.50	20.89
0.9	10.68	23.51
1.0	11.87	26.12
1.1	13.06	28.73
1.2	14.25	31.34
1.3	15.43	33.95
1.4	16.62	36.56
1.5	17.81	39.18

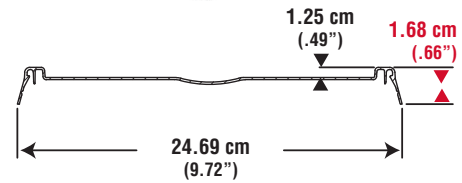
Above is a guideline only.
Customer should verify with specific product to be packaged.

SHIPPING DATA

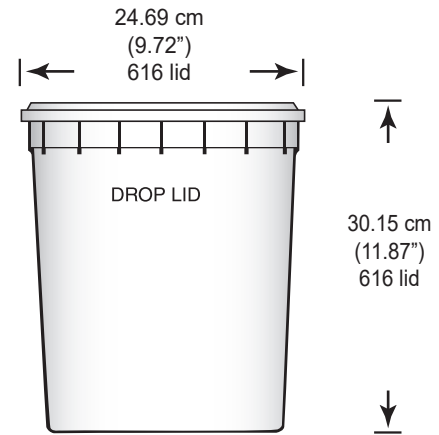
Quantity	722 PAIL	616 LID
		320/pallet
Dimensions*	50.50" x 40.00" x 44.25"	23.50" x 20.25" x 20.25"
Volume	51.73 cu. ft.	5.58 cu. ft.
Weight** (with handle)	111.98 kg 246.36 lbs	14.59 kg 32.10 lbs

* Dimensions do not include wooden pallet (with pallet +4.5 inches)
** Weight does not include wooden pallet (with pallet +11.0 kg)

616 DROP LID



11.4 LITRE DAIRY CONTAINER



NESTING

