

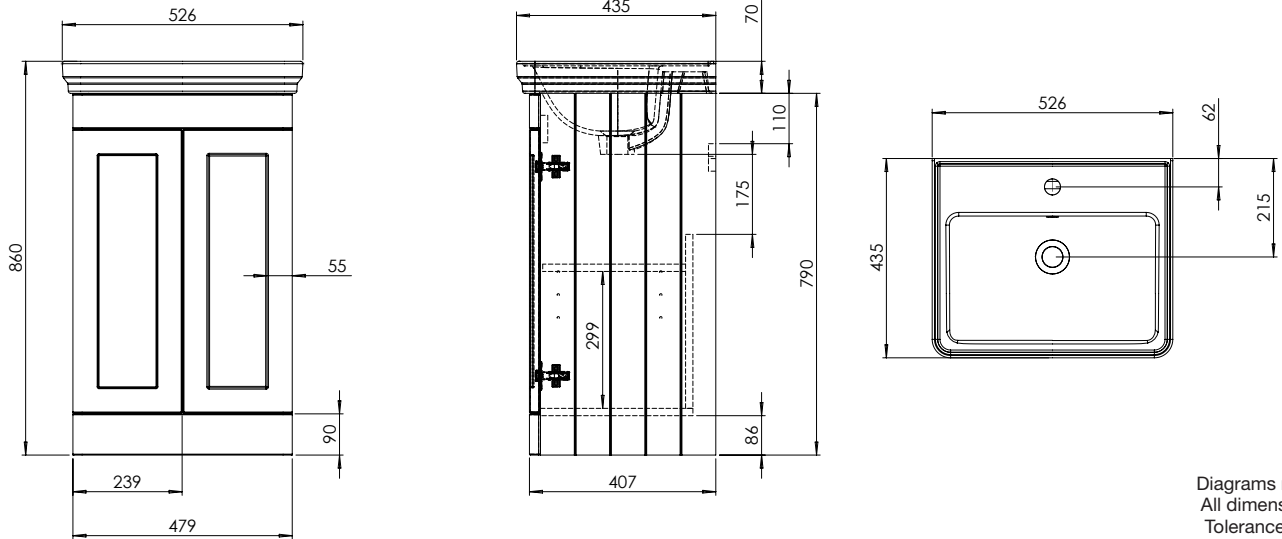
Technical Data Sheet

Marston 500 Floor Mounted Unit TDS

What's in the box: 1x MS500F.X + Fixings

TAVISTOCK
inspiring bathrooms

*Reference basin TDS for further info



Diagrams not to scale
All dimensions in mm
Tolerance of +/-5mm

Materials

Carcass: Painted MDF/MFC
Fascia Components: Painted MDF

**Dimensions are subject to change, customers are advised to measure actual product before commencing installation.
***Fixing point dimensions are for guidance only/the positions of wall fixing must be checked when product is received.

FAQs

- Q: How big is the plumbing void?
A: 50mm.
- Q: Are the handles fitted?
A: No, pilot holes on the back face of the door must be drilled by the installer.
- Q: Are the hinges soft close?
A: yes, the hinges are soft close.
- Q: How deep is the unit with door open?
A: Approximate depth with 90° hinge 645mm.
- Q: Can the doors be adjusted?
A: The door can be adjusted as detailed in the supplied instructions.
- Q: Is the shelf removable?
A: Yes, there is one removable shelf.
- Q: What is the shelf capacity?
A: Shelf max. depth: 315mm.
- Q: Is the shelf adjustable?
A: Yes, the shelf is adjustable.
- Q: What is the interior finish of the unit?
A: The unit interior is white on the Paper White unit, and Dark Grey on all other finishes.
- Q: How is the unit fixed to the wall?
A: You can secure the unit to the wall by drilling through the back brace using the pre-drilled holes.
- Q: Is the unit supplied with handles?
A: No, your choice of handles can be selected when the unit is purchased.

NOTE: Colours unique to Roper Rhodes - No RAL Code available

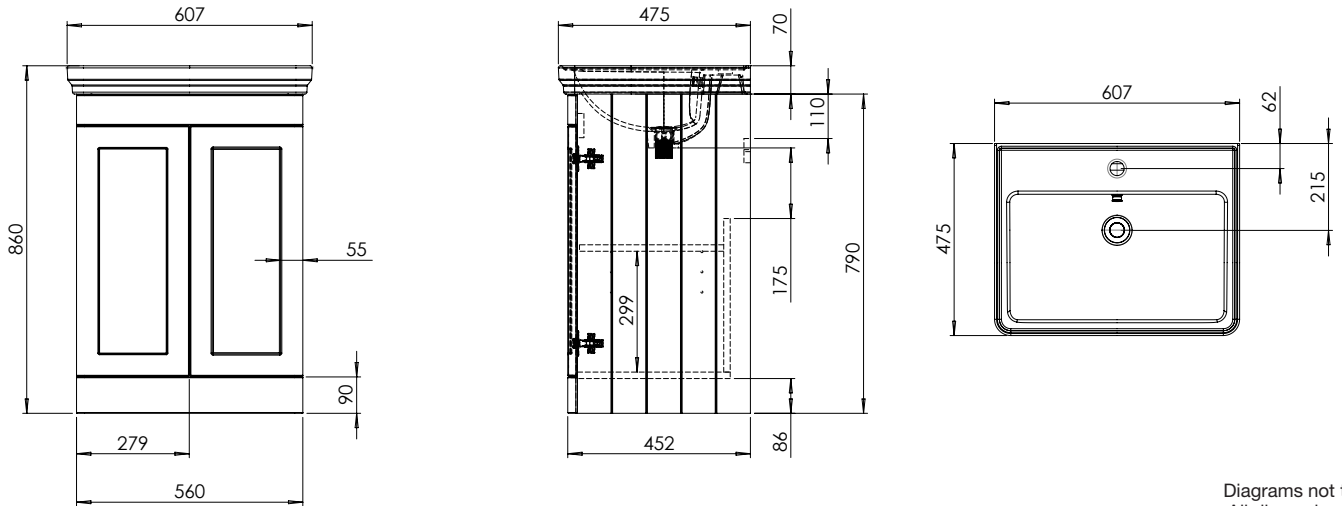
Technical Data Sheet

Marston 600 Floor Mounted Unit TDS

What's in the box: 1x MS600F.X + Fixings

TAVISTOCK
inspiring bathrooms

*Reference basin TDS for further info



Diagrams not to scale
All dimensions in mm
Tolerance of +/-5mm

Materials

Carcass: Painted MDF/MFC
Fascia Components: Painted MDF

**Dimensions are subject to change, customers are advised to measure actual product before commencing installation.
***Fixing point dimensions are for guidance only/the positions of wall fixing must be checked when product is received.

FAQs

- | | |
|---|--|
| Q: How big is the plumbing void? | A: 50mm. |
| Q: Are the handles fitted? | A: No, pilot holes on the back face of the door need to be drilled by the installer. |
| Q: Are the hinges soft close? | A: The hinges are soft close. |
| Q: How deep is the unit with door open? | A: Approximate depth with 90° hinge 820mm. |
| Q: Can the doors be adjusted? | A: The door can be adjusted as detailed in the supplied instructions. |
| Q: Is the shelf removable? | A: Yes, there is one removable shelf. |
| Q: What is the shelf capacity? | A: Shelf max. depth: 360mm. |
| Q: Is the shelf adjustable? | A: Yes, the shelf is adjustable. |
| Q: What is the interior finish of the unit? | A: The unit interior is white on the Paper White unit and dark grey on all other finishes. |
| Q: How is the unit fixed to the wall? | A: You can secure the unit to the wall by drilling through the back brace using the pre-drilled holes. |
| Q: Is the unit supplied with handles? | A: No, your choice of handles can be selected when the unit is purchased. |

NOTE: Colours unique to Roper Rhodes - No RAL Code available