

## Completion Concealed Box

### Mounting Instructions

Pressure range min/max 0,5/5 bar

(in case of water pressure higher than 5 bar we recommend installing pressure reducers).

Recommended pressure 3 bar.

Operation:

Either with gas or electric accumulation boilers.

Centralised systems.

---

Safety lock at: 41° C

Min. Working temperature: 3° C

Min. recommended: 15° C

Max. Working temperature: 70° C

Max. recommended: 65° C

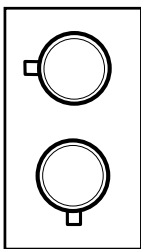
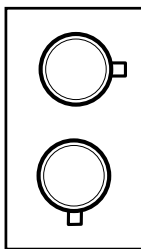
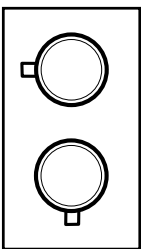
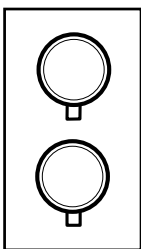
Recommended thermal differential 50° C

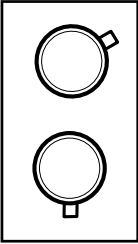
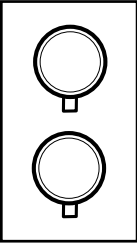
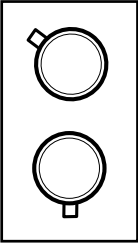
Thermal disinfection is allowed.

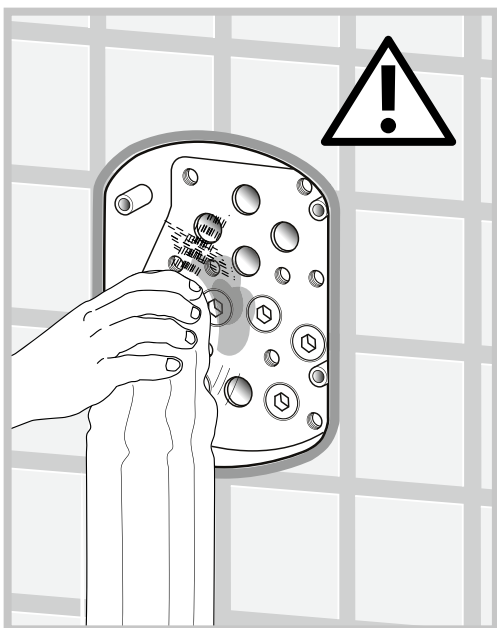
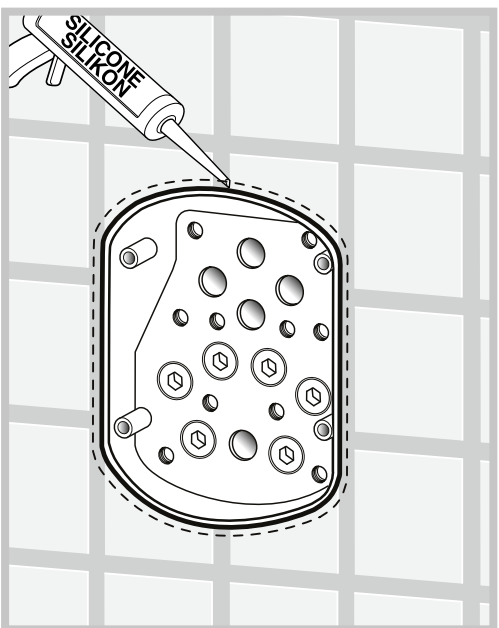
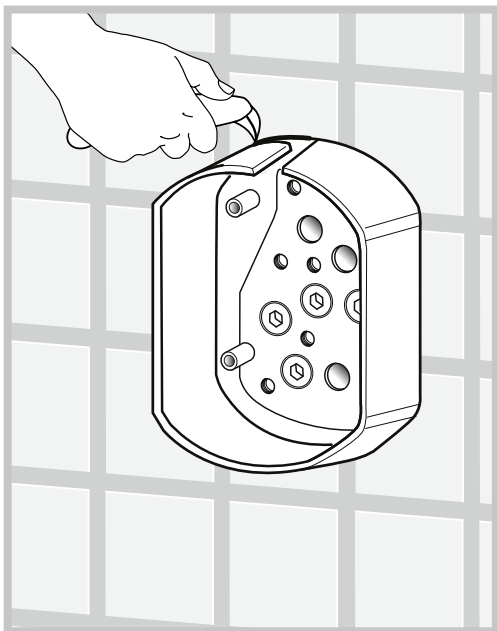
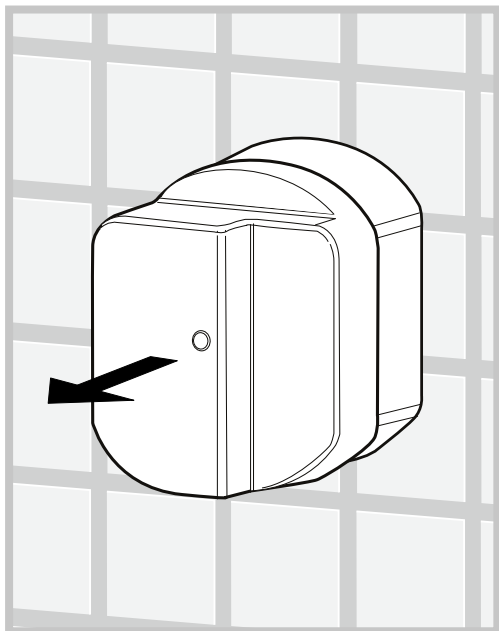
Safety system with flow stop in case of lack of one of the two waters.

---

***Warning: contact the plumber for the choice of the best water heating device.***

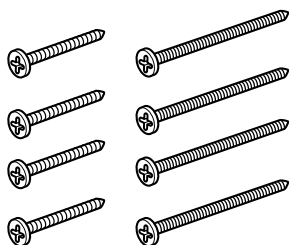
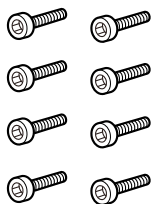
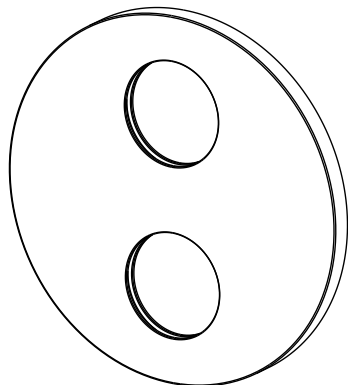
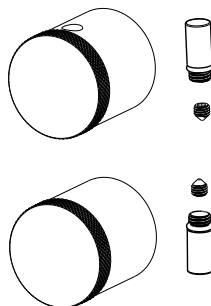
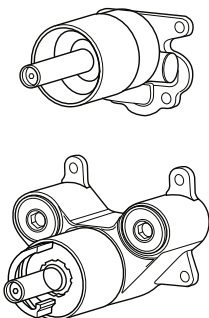
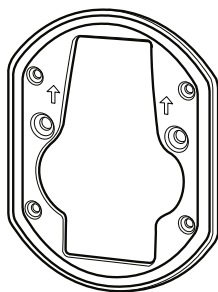
Press.	FLOW RATE ( L/min )			
	Term. 1 way	Term. 2 way		
				
bar	Exit 1/2/3	Exit 2	Exit 3	Mix
0,5	8,2	8,2	8,2	9,2
1	11,7	11,7	11,7	13,2
2	16,7	16,4	16,4	18,7
3	20,7	20	20	22,9
4	24	23	23	26,4
5	26,6	25,8	25,8	29,5

Press.	FLOW RATE ( L/min )			
bar	Term. 3 ways			
				
	Exit 1	Exit 2	Exit 3	
	0,5	9,4	8,1	8,1
	1	13,4	11,6	11,6
	2	19,2	16,6	16,6
	3	23,7	20,5	20,5
4	27,4	23,8	23,8	
5	30,5	26,6	26,6	



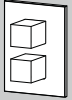
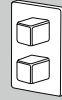
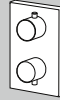


THERMOSTATIC 1-2-3 WAYS

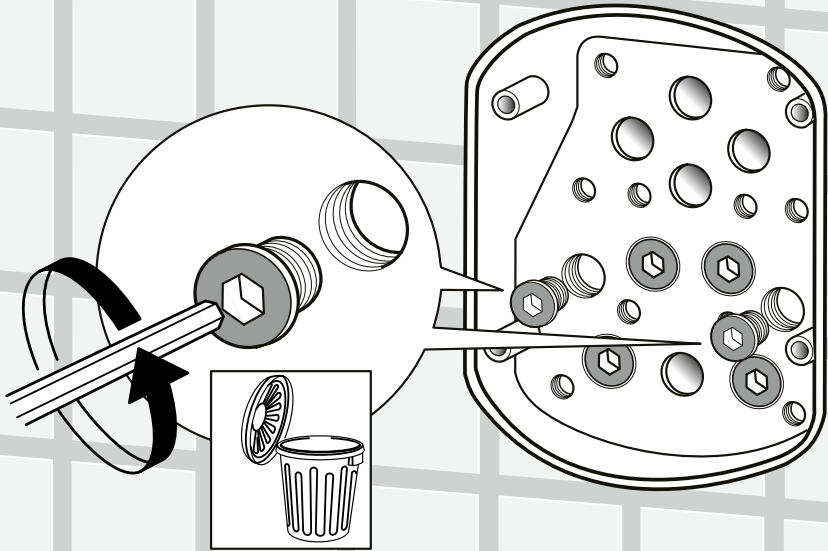


GB Mounting Instructions

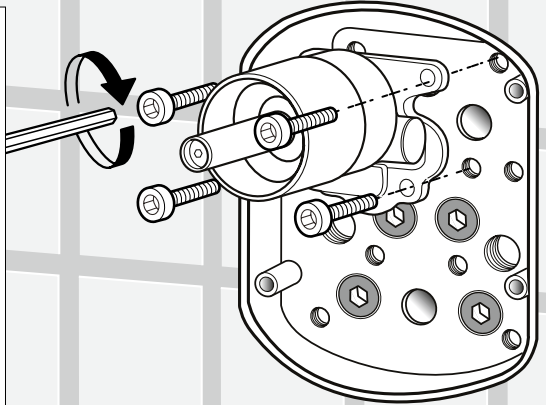
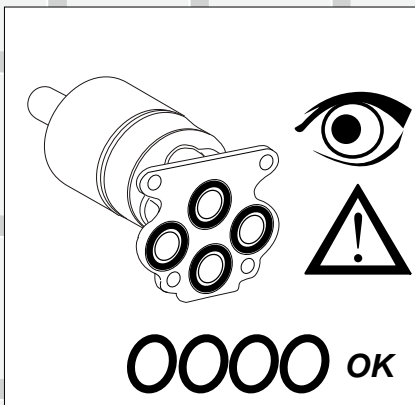


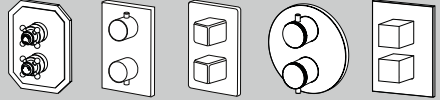


1

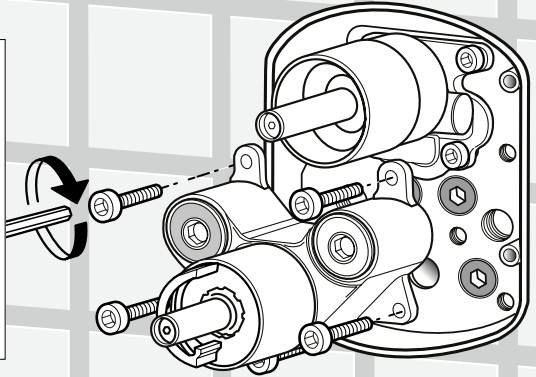
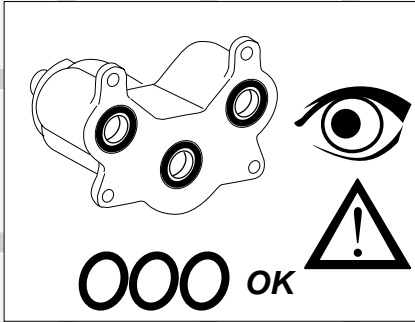


2

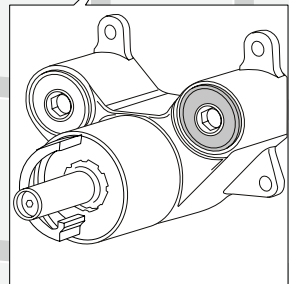
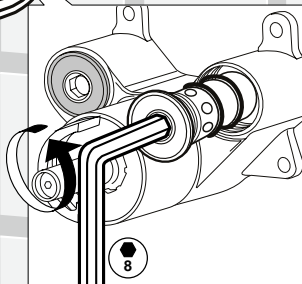
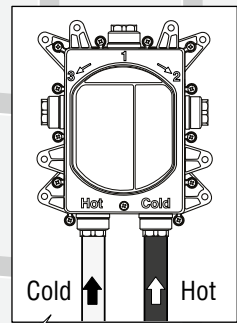
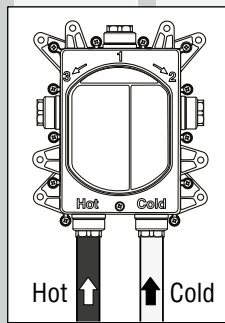
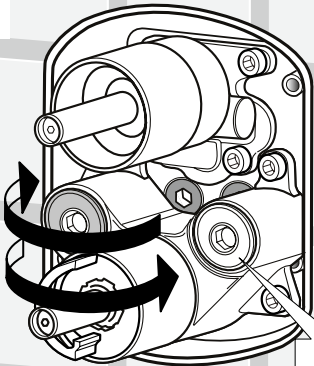




3



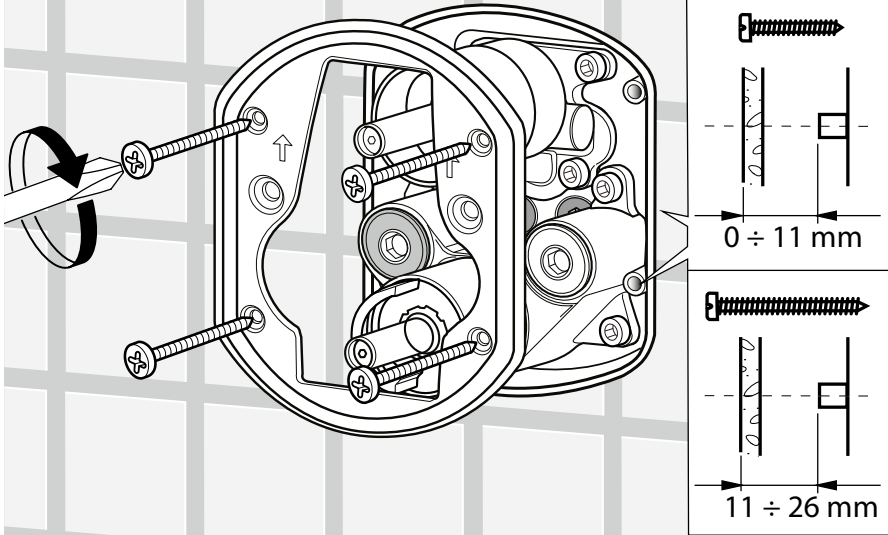
4



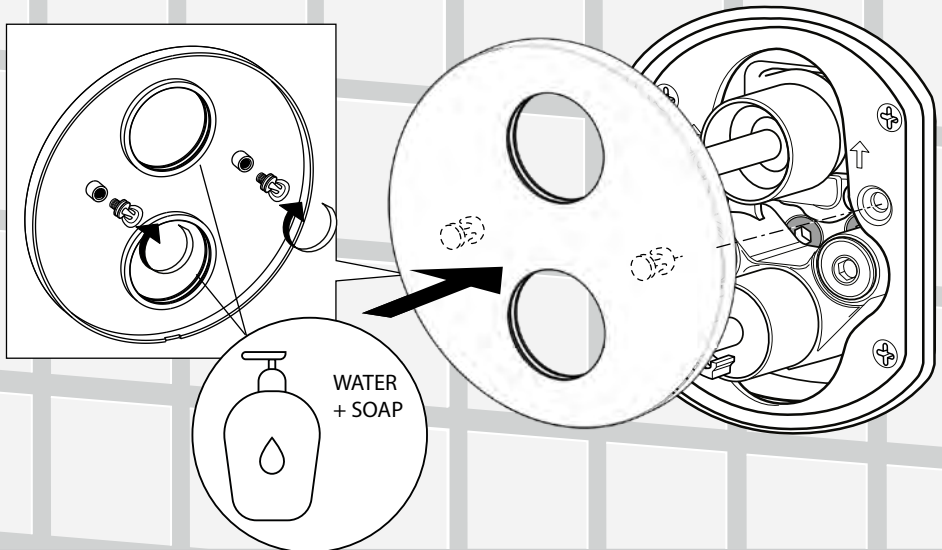




5

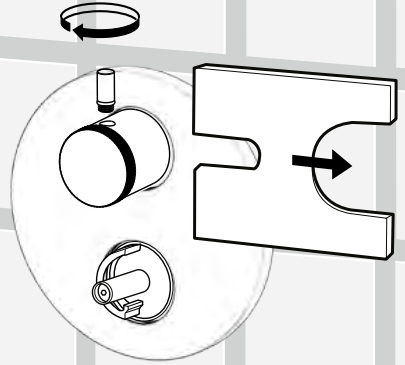
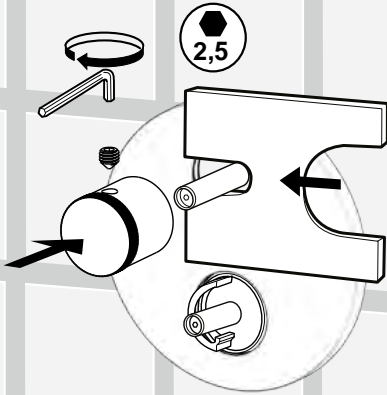


6C

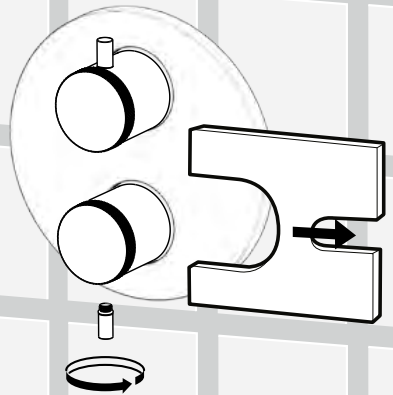
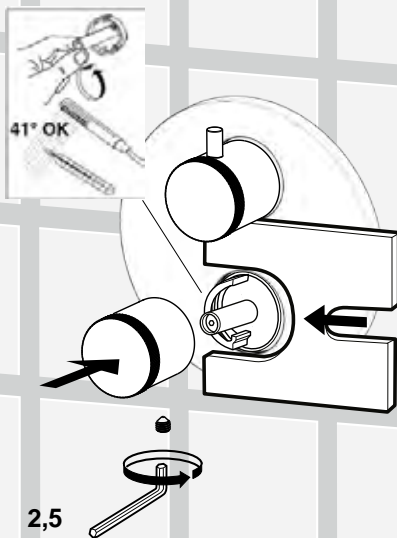


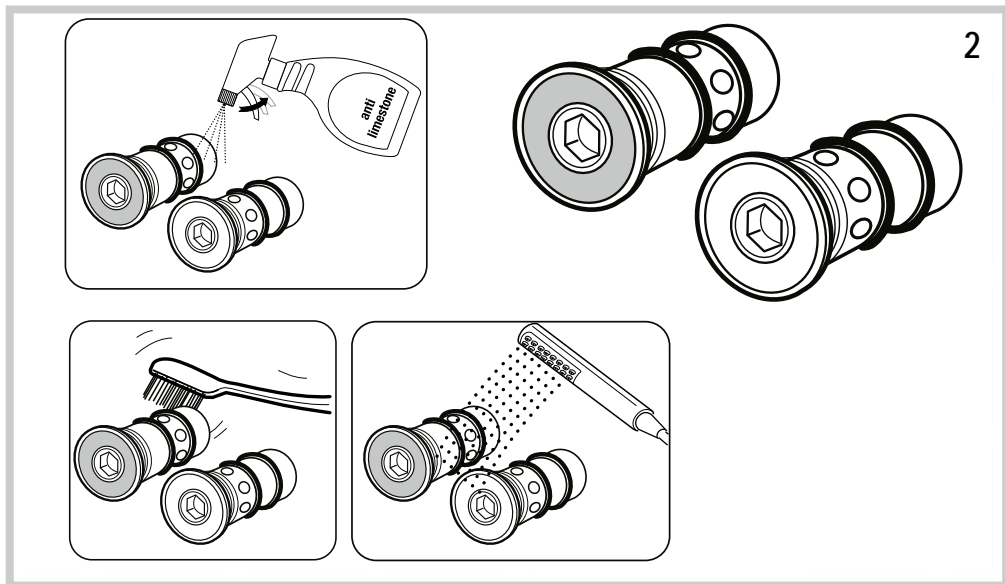
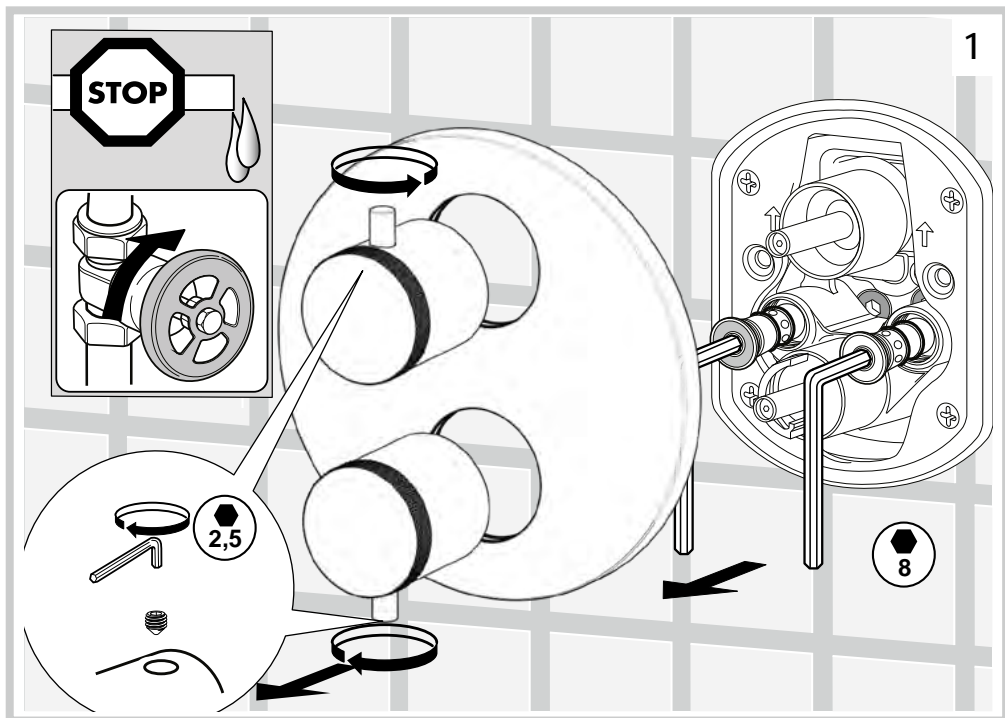


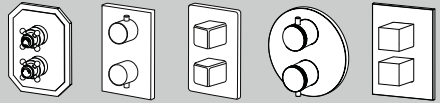
7C



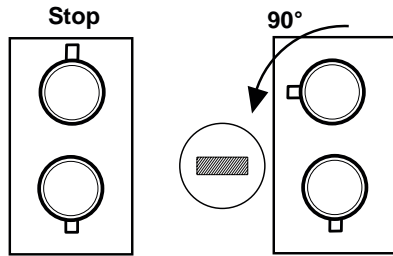
8C



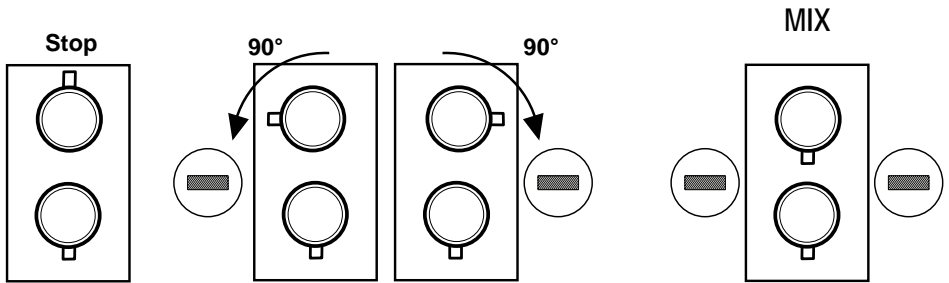




THERMOSTATIC 1 WAY



THERMOSTATIC 2 WAYS



THERMOSTATIC 3 WAYS

