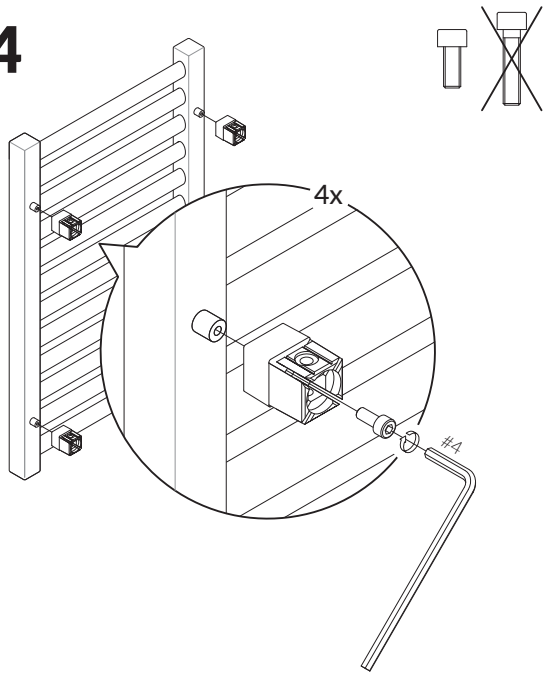
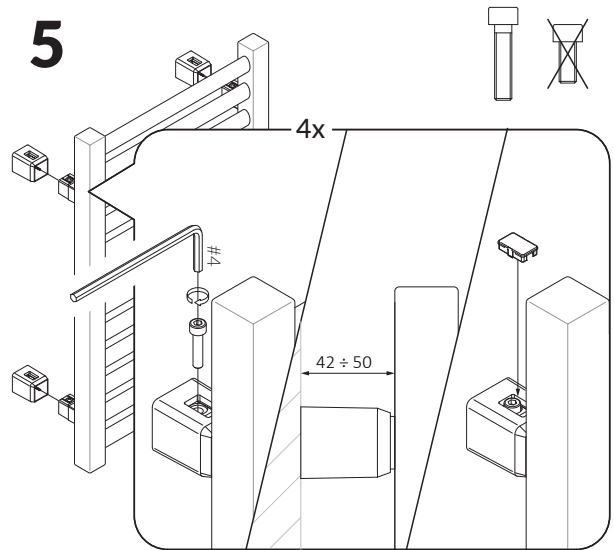


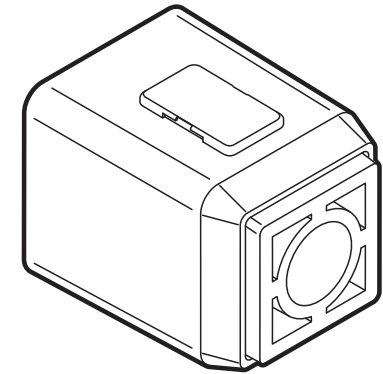
4



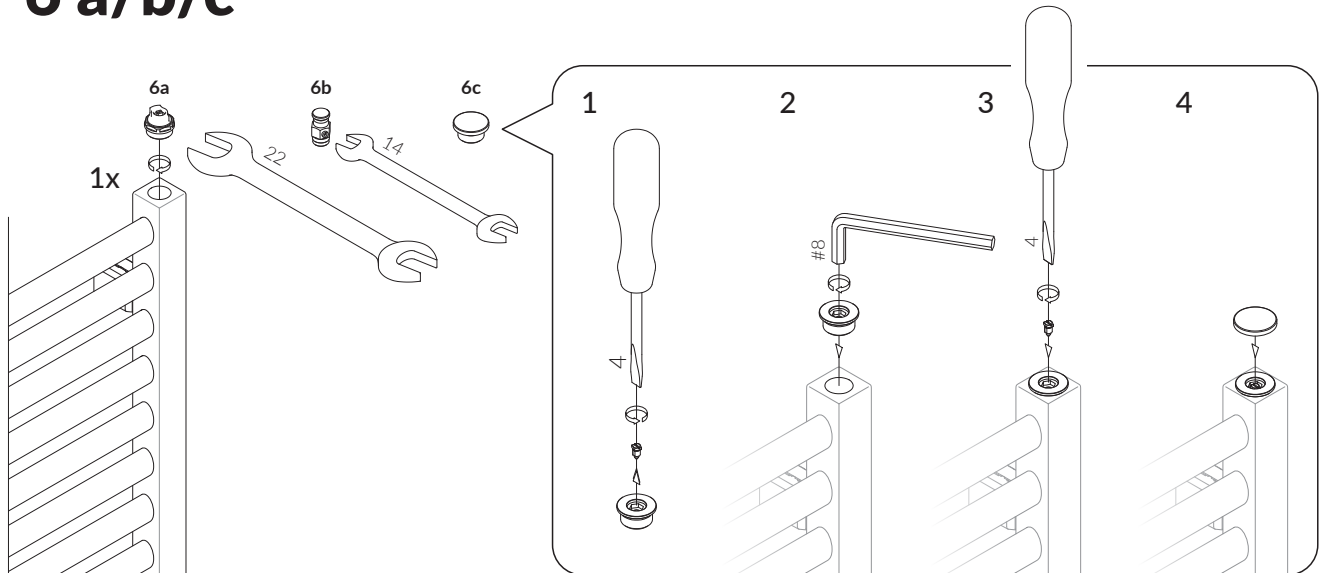
5



crosswater^x



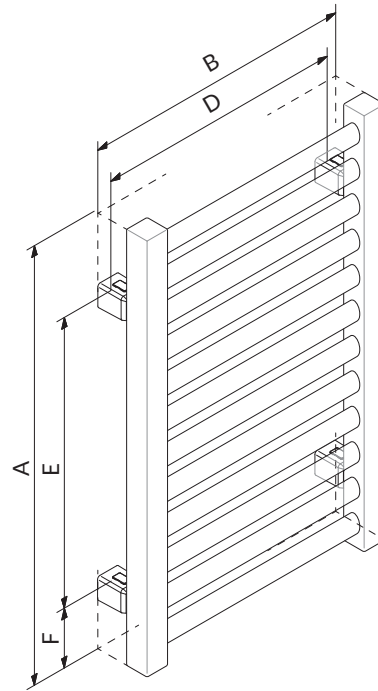
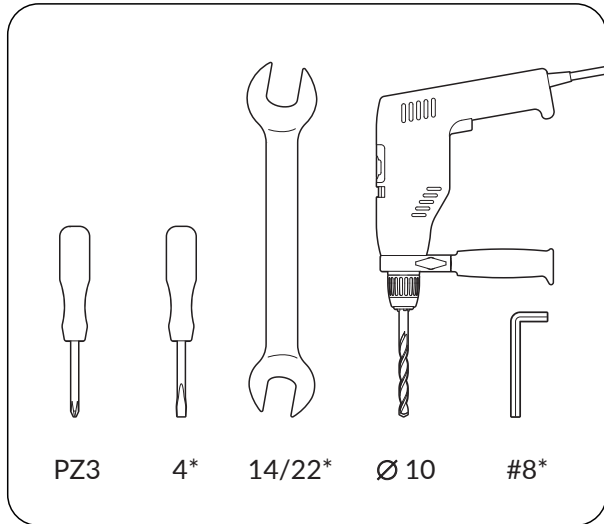
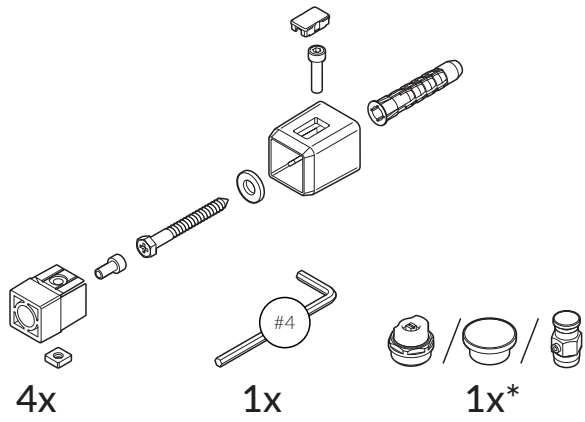
6 a/b/c*



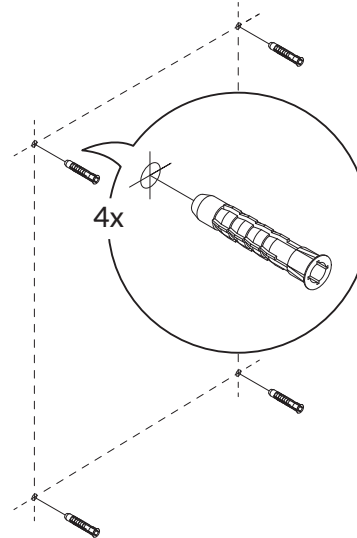
User Manual

Mounting bracket MKP/MKS

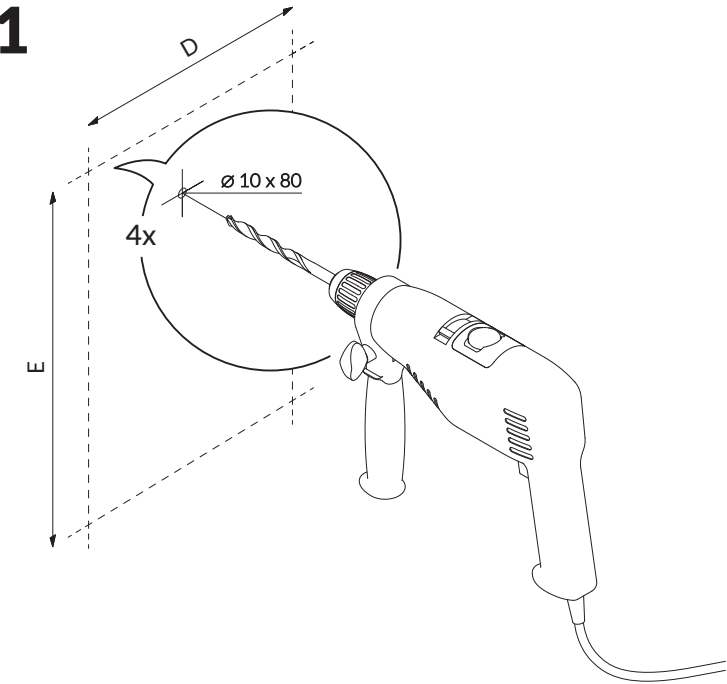
4x



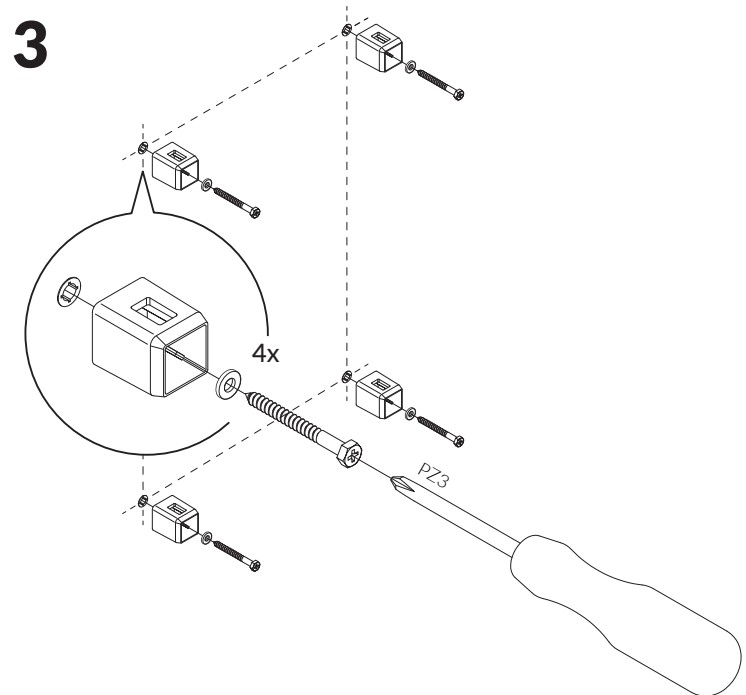
2



1



3



* Refers to water and dual fuel version.