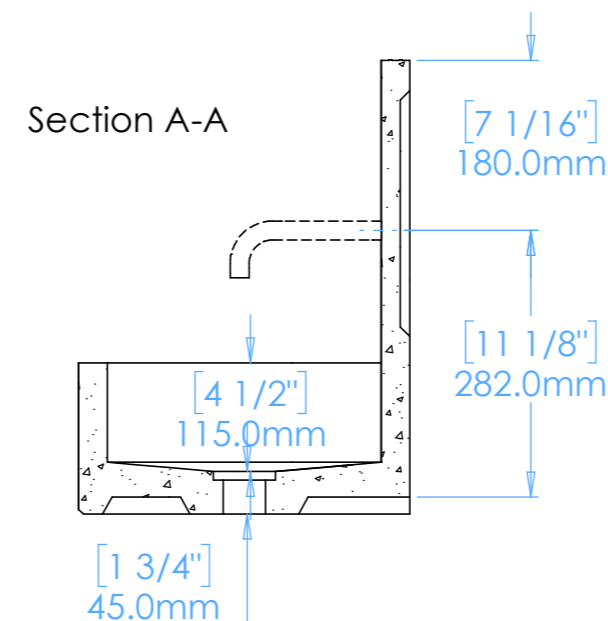
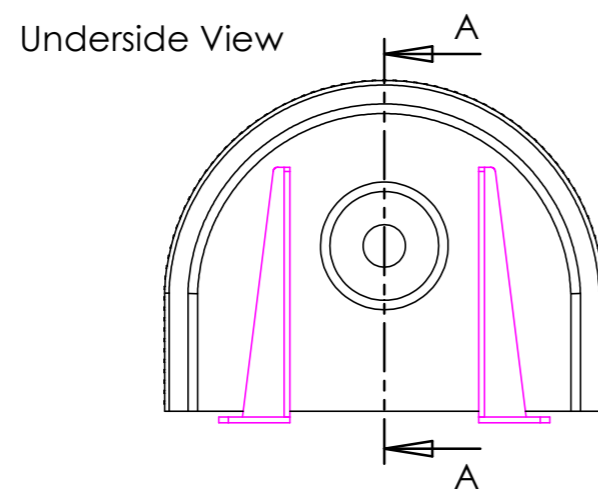
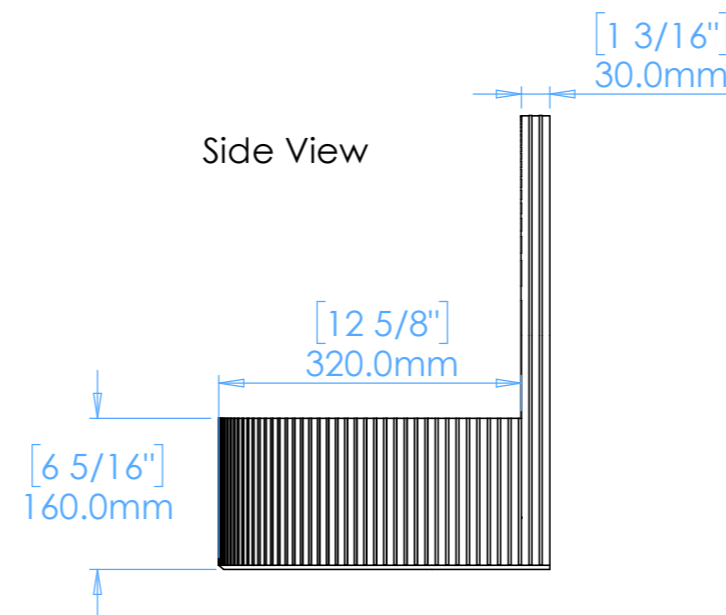
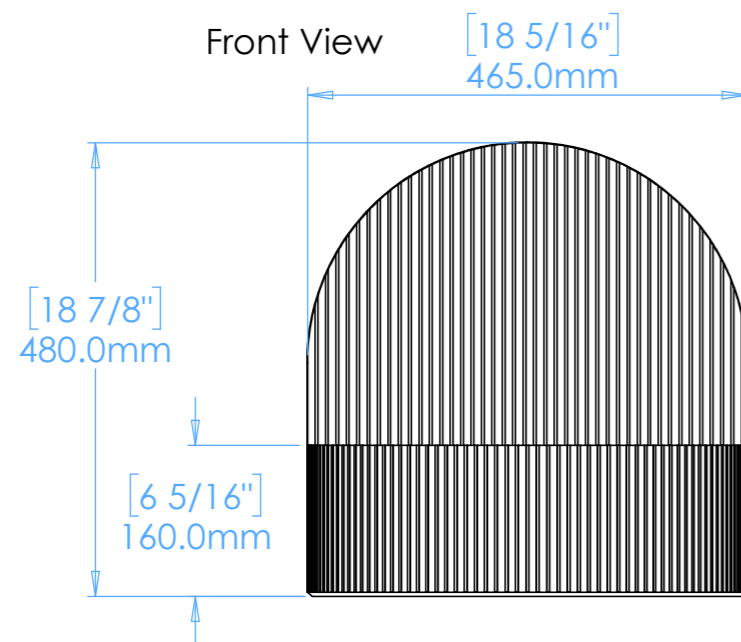
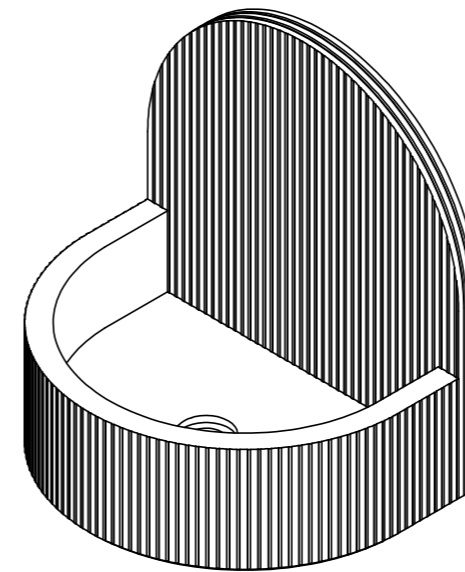
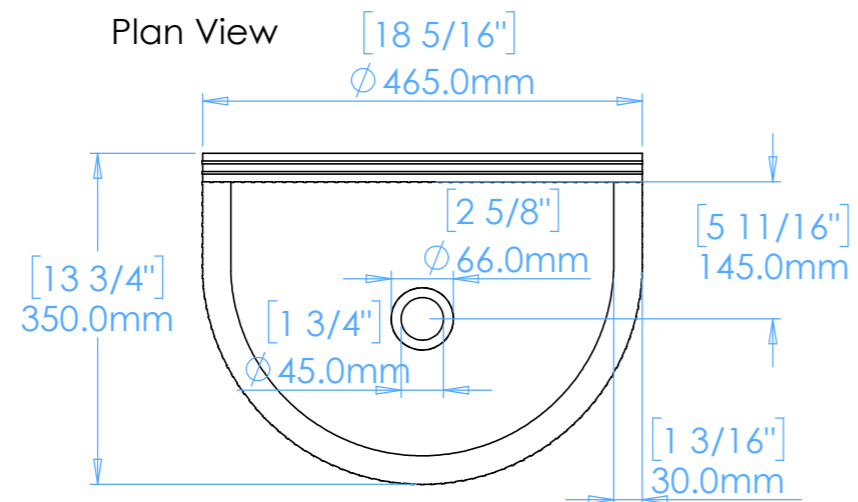


Elma A1



NOTES

Unless otherwise specified, dimensions are in millimeters.

Kast take no responsibility for any dimensions obtained by scaling from this drawing.

DIMENSIONS:

L465mm (18 5/16inches)
 W350mm (13 3/4inches)
 H480mm (18 7/8inches)

CODE:	EL.A1
WEIGHT:	35kg / 77lbs
BRACKETS:	Included
DRAWN BY:	DB
TOLERANCE:	+/- 3mm

Kast

Meden Court
 Boughton
 Nottinghamshire
 NG22 9YU

+44 (0) 1623 709249
 info@kastconcretebasins.com
 kastconcretebasins.com