

Elm Concrete Basin

Kast



Basin in Storm Colour Shown

Pin Stripe Detailing Shown

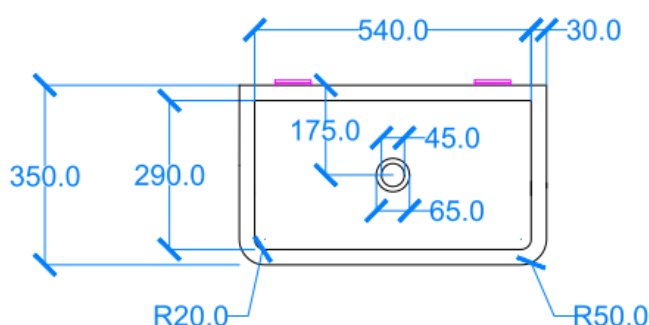
Concrete is a unique, timeless material. Our contemporary Kast range of basins are manufactured using traditional, aggregate-based concrete. They are available in a number of designs and colour variations. Every basin is made to order and the nature of the cement creates a solid and tactile aesthetic with organic stone-like characteristics, guaranteed to create a statement in any setting.

The Elm is a contemporary take on a traditional bucket basin. The pin stripe pattern enhances the vertical form and wraps around the curves.

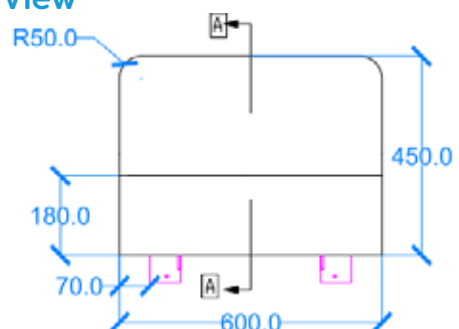
Basin Specifications

Dimensions	W 600mm x Proj. 350mm x H 450mm
Material	Concrete
Finish	28 colours available. See page 2
Tapholes	3 tap holes
Overflow	No overflow (requires unslotted waste)
Fixings	Supplied with wall brackets

Plan View



Front View



Deluxe Bathrooms & Tiling Solutions are an Exclusive Retailer of KAST Concrete Basins in the Republic of Ireland.

For more information please visit www.deluxebathrooms.ie

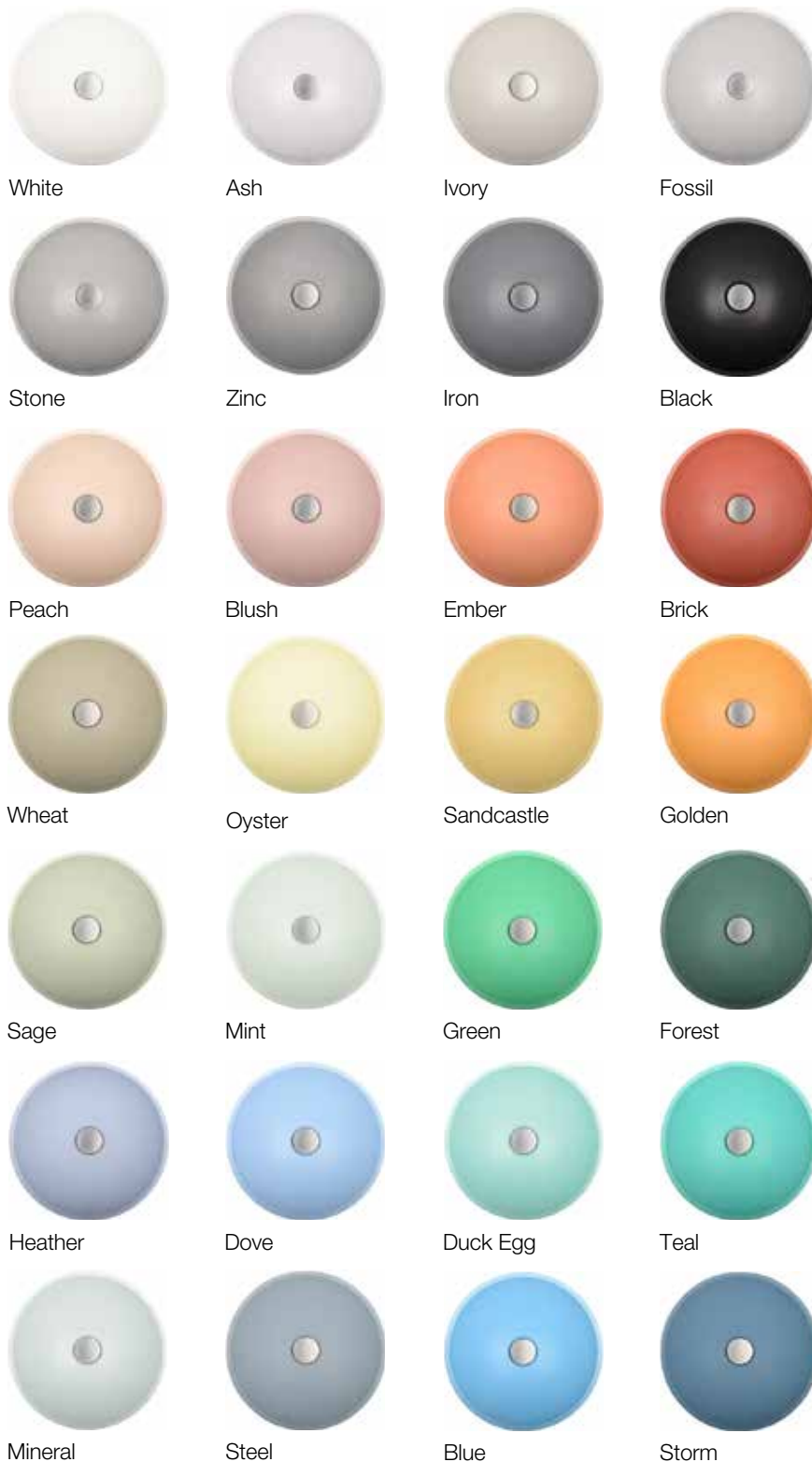
Elm Concrete Basin

Kast



Basin Colours

All Kast Concrete Basins are available in 28 colours which can be viewed below. From delicate tones to high intensity hues, Kast can offer a solution to suit a variety of project requirements.



Deluxe Bathrooms & Tiling Solutions are an Exclusive Retailer of KAST Concrete Basins in the Republic of Ireland.

For more information please visit: www.deluxebathrooms.ie

Concrete Characteristics | 'Perfectly Imperfect'

Concrete is derived from a number of materials that are variable in nature and achieving consistent mixes with our specially developed blends of cement, aggregates and pigments is a highly skilled process. Kast endeavour to control all aspects of the manufacturing process, however, due to the nature of the processes involved and concrete as a material, variations in colour and surface texture will occur. These idiosyncrasies create a distinctive aesthetic that is integral to the character of the material and is what makes each basin unique. Natural variations in the colour, texture and number of bug holes within the concrete of each product should be expected.

Typical characteristics include:

Bug Holes



Due to the nature of the casting process, air trapped within the concrete can sometimes cause small holes to form within the surface. These can vary in size and add to the distinctive texture and aesthetic of concrete.

Surface Colour Variation



Concrete will never be a monotone block colour due to the number of variable materials from which it is made. The variations in tone and texture create a unique patina that is integral to the character of concrete.

Exposed Aggregates



Kast concrete basins are manufactured using a traditional mix of aggregates, sand and cement. In some cases the aggregates may be visible within the surface of the concrete which is part of the unique, natural texture.

Textural Flow Lines



The liquid state of concrete when it is being cast means that textural flow lines can sometimes be visible on the surface of the concrete. This tends to be more visible when casting curved or tall vertical surfaces and is another typical characteristic of concrete.

Crazing



Small, fine cracks on the surface of concrete are very common within the life long curing process and do not impact the structural quality or performance of the basin. If you are concerned about the placement or size of any cracks please do get in touch.

Edge Patination



Some basins require two-part moulds which can result in a different texture around the edge where the two moulds meet. This is where moisture within the mix can evaporate out at the seam creating a more raw, distinguished texture.

Please Note: Products may look slightly different to those featured in marketing imagery as each piece is unique. Colour and texture variations are part of the natural characteristics of concrete and have no bearing on the structural integrity of the product nor should they be deemed as defects within the material, design or workmanship. Concrete, like any other natural stone or wood, will develop a patina over time and these characteristics may become more pronounced with age.

Product Aftercare

Concrete is a characteristically hard-wearing, resistant material hence it being widely used for so many applications. Concrete however, like any stone, can stain and chip if not treated with care. Our unique mix of cement, admixtures, aggregates and pigments along with our specialist sealing process ensures a quality finish. Our sealing system provides the most effective seal whilst maintaining the natural look and feel of the concrete.

To help maintain your Kast Concrete Basin, we provide the following guidelines:

- When cleaning your basin, Kast advises using a soft cloth and a PH neutral cleaner with warm water. Kast basins must NOT be cleaned with any products containing bleach or harsh chemicals. Basins should be rinsed thoroughly and dried after cleaning.
- Kast basins must NOT be rubbed with abrasive materials such as scouring pads, abrasive sponge-backs or wire wool as this may result in scratching and permanent damage to the surface.
- Avoid leaving any liquids on the surface, especially liquids containing acids or alkali as these may cause erosion to the surface of the concrete. If liquids containing these properties do come into contact with the surface we recommend these are wiped away as soon as possible.
- Avoid leaving toothbrushes directly on the surface of the concrete as toothpaste residue can cause erosion and discolouration. We recommend that any toothpaste residue is wiped away immediately.
- Please ensure surfaces are dry underneath any items displayed on concrete and avoid leaving any items on the surface that may allow a vacuum to form e.g. a cup or bottle etc. Moisture trapped underneath such items for a period of time will form micro-atmospheres which will cause a difference in surface texture and colour. If this happens, remove the item and allow the concrete surface to thoroughly air-dry out.
- Kast recommend the use of soap dishes to avoid prolonged direct contact between bars of hand soap and the surface of the concrete. Such dishes will need to be slightly raised in order to prevent any vacuums or moisture traps. All surfaces should be regularly exposed to the air.
- Soap dispensers that are positioned in a way that allows the soap to drip directly onto the concrete may result in a change to the surface colour and texture if left to pool for long periods of time. Any excess soap should be wiped away as soon as possible.
- Surfaces underneath concrete inserts in models such as the Flor, Flor Mini and Lux ranges will vary in colour and darken due to moisture build up in these areas. This is completely normal and to be expected on these models.

Product Aftercare (continued)

- Surfaces that are exposed to running water will gradually patina over time. As with all stone products, after a number of years, erosion of the top surface will occur exposing the heads of any aggregates used in the mix design. To limit this we would advise avoiding the use of strong detergents and acids used on the surface of the material. Regular waxing can help to provide an extra protective barrier over time.
- Avoid impact from heavy objects directly onto the concrete surface. Although concrete is a very durable material the edges are most vulnerable and impact can cause chipping, cracking and in some situations, breakages. Micro fracture lines can occur naturally as curing develops and temperatures rise and fall. This is not a structural failure and should not be deemed as a defect.
- As an additional protective barrier Kast basins can be waxed regularly with a soft cloth as and when required.

Following these guidelines will limit the effects of everyday use and keep your concrete in the best condition. Staining, scratching and chipping can however occur; Please see terms and conditions. The upkeep of the concrete is the responsibility of the client; Kast will not take responsibility for staining and scratching.