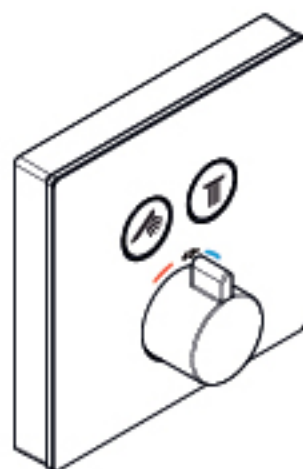


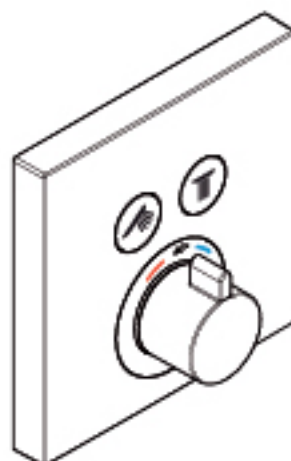
DE	Gebrauchsanleitung / Montageanleitung	2
FR	Mode d'emploi / Instructions de montage	4
EN	Instructions for use / Assembly instructions	6
IT	Istruzioni per l'uso / Istruzioni per l'installazione	8
ES	Modo de empleo / Instrucciones de montaje	10
NL	Gebruiksaanwijzing / Handleiding	12
DK	Brugsanvisning / Monteringsvejledning	14
PT	Instruções para uso / Manual de Instalação	16
PL	Instrukcja obsługi / Instrukcja montażu	18
CS	Návod k použití / Montážní návod	20
SK	Návod na použitie / Montážny návod	22
ZH	用户手册 / 组装说明	24
RU	Руководство пользователя / Инструкция по монтажу	26
FI	Käyttöohje / Asennusohje	28
SV	Bruksanvisning / Monteringsanvisning	30
LT	Vartotojo instrukcija / Montavimo instrukcijos	32
HR	Upute za uporabu / Uputstva za instalaciju	34
RO	Manual de utilizare / Instrucțiuni de montare	36
EL	Οδηγίες χρήσης / Οδηγία συναρμολόγησης	38
SL	Navodilo za uporabo / Navodila za montažo	40
ET	Kasutusjuhend / Paigaldusjuhend	42
LV	Lietošanas pamācība / Montāžas instrukcija	44
SR	Uputstvo za upotrebu / Uputstvo za montažu	46
NO	Bruksanvisning / Montasjeveiledning	48
BG	Инструкция за употреба / Ръководство за монтаж	50
JP	取扱説明書 / 施工説明書	52
UA	Інструкції з використання / Інструкція по збірці	54
AR	دليل الاستخدام / تعليمات التجميع	57
TR	Kullanım kılavuzu / Montaj kılavuzu	58
HU	Használati útmutató / Szerelési útmutató	60
HE	הוראות שימוש / הוראות הרכבה	63



ShowerSelect
15738XXX



ShowerSelect S
15743XXX



ShowerSelect
15763XXX




www.hansgrohe.com/ cleaning-recommendation



- DE** Reinigungsempfehlung / Garantie / Kontakt
- FR** Recommandation pour le nettoyage / Garanties / Contact
- EN** Cleaning recommendation / Warranty / Contact
- IT** Raccomandazione di pulizia / Garanzia / Contatto
- ES** Recomendaciones para la limpieza / Garantía / Contacto
- NL** Aanbevelingen inzake reiniging / Garantie / Contact
- DK** Rengøringsvejledning / Garanti / Kontakt
- PT** Recomendações de limpeza / Garantia / Contacto
- PL** Zalecenie dotyczące pielęgnacji / Gwarancja / Kontakt
- CS** Doporučení k čištění / Záruka / Kontakt
- SK** Odporúčania pre čistenie / Záruka / Kontakt
- ZH** 清洁指南 / 担保 / 接触
- RU** Рекомендации по очистке / Гарантия / Контакты
- FI** Puhdistussuositus / Takuu / Kosketus

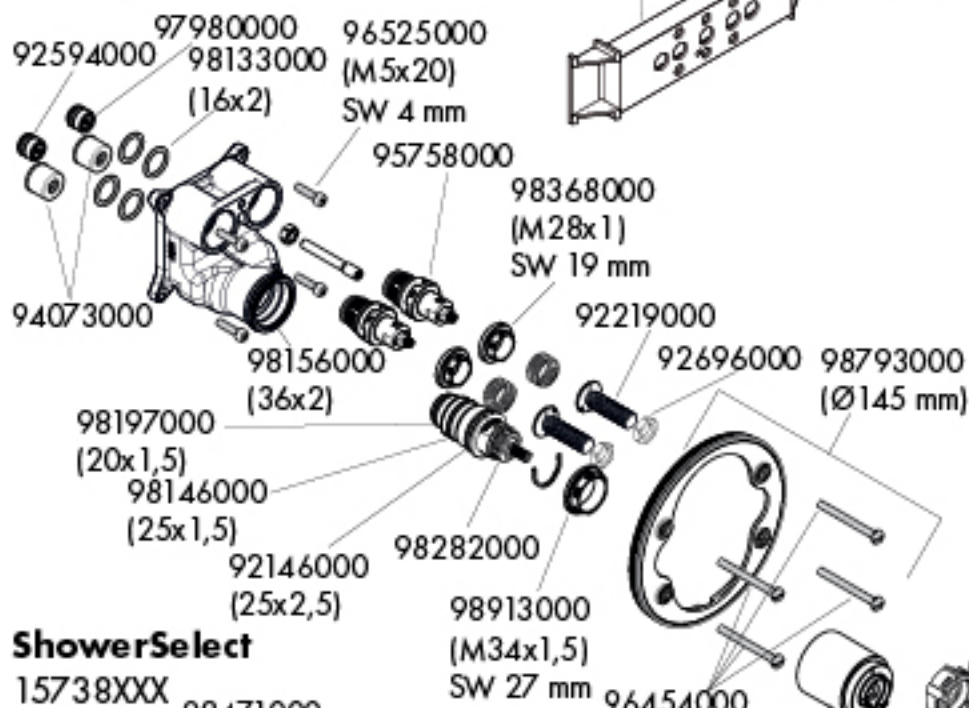
- SV** Rengöringsrekommendationer / Garanti / Kontakt
- LT** Valymo rekomendacijos / Garantija / Kontaktai
- HR** Preporuke za čišćenje / Garancija / Kontakt
- RO** Recomandări pentru curățare / Garanție / Contact
- EL** Σύσταση καθαρισμού / Εγγύηση / επαφή
- SL** Priporočilo za čiščenje / Garancija / Kontakt
- ET** Puhastussuovitused / Garanti / Kontakt
- LV** Tīrīšanas ieteikumi / Garantija / Kontakti
- SR** Preporuke za čišćenje / Garancija / Kontakt
- NO** Anbefaling for rengjøring / Garanti / Kontakt
- BG** Препоръка за почистване / Гаранция / Контакт
- JP** お手入れの方法 / 保証について / ご連絡先
- UA** Рекомендації з чищення / Гарантія / контакт
- AR** توصيات التنظيف / الضمان / اتصال
- TR** Temizleme önerisi / Garanti / Temas
- HU** Tisztítási tanácsok / Garancia / érintkezés
- HE** המלצות לניקוי / אחריות / איש קשר



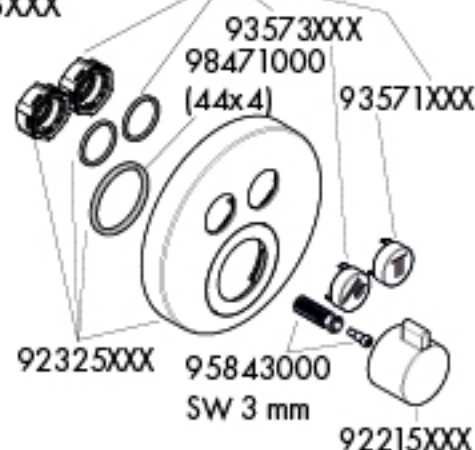
	P-IX	DVGW	SINTEF	NF		ETA
15738XXX	PA-IX 28414/IIBB	CS0574	X		X	
15743XXX	PA-IX 28414/IIBB	CS0574	X	X	X	X
15763XXX	PA-IX 28414/IIBB			X	X	X



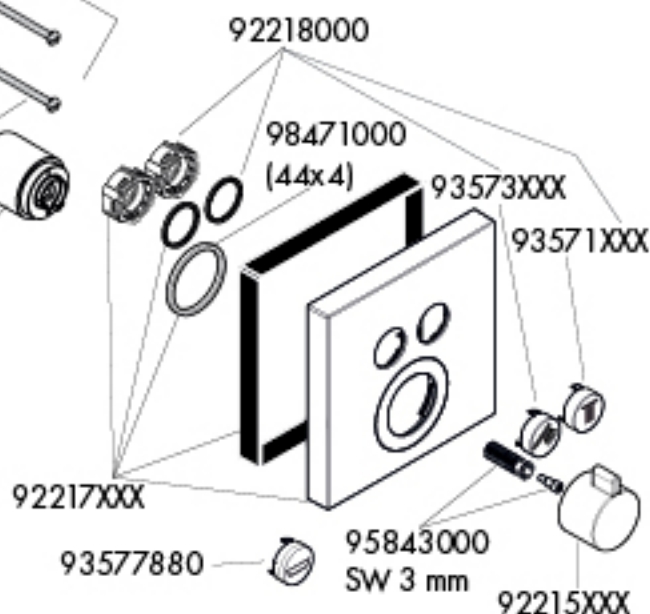
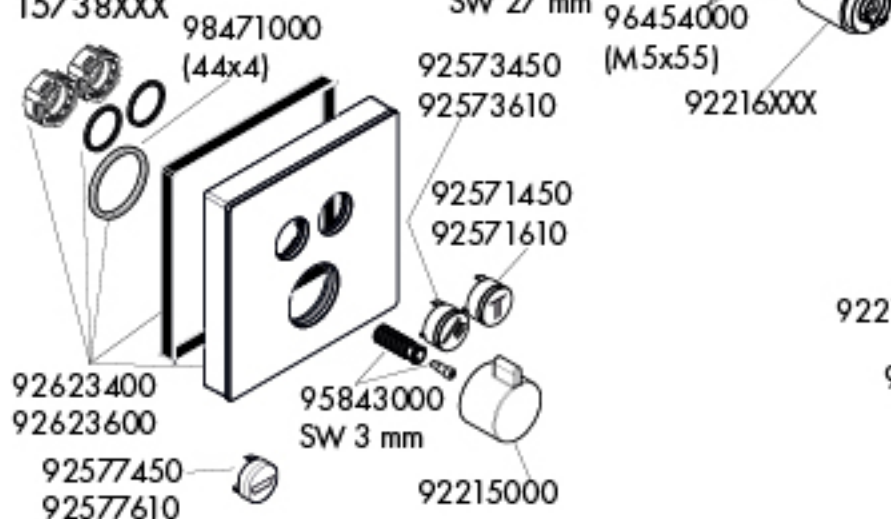
ShowerSelect
15763XXX



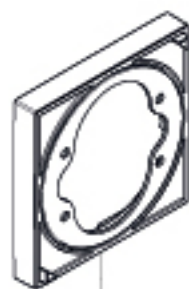
ShowerSelect S 92218000
15743XXX



ShowerSelect
15738XXX



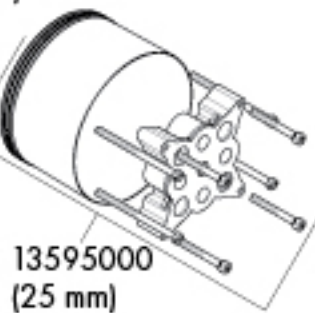
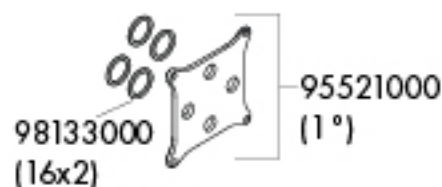
ShowerSelect S 13597XXX
(Ø 150 mm x 22 mm)



ShowerSelect 13593XXX
(156mm x 156mm x 22 mm)

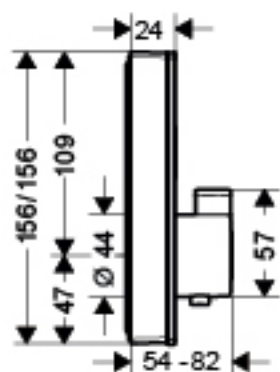


ShowerSelect 13604000
(155mm x 155mm x 22 mm)

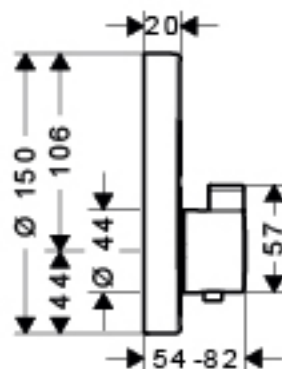


13595000
(25 mm)

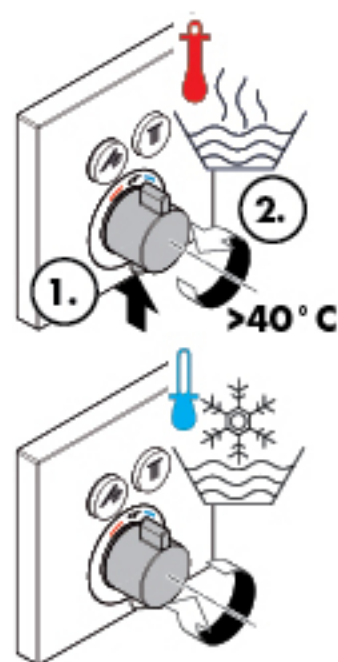
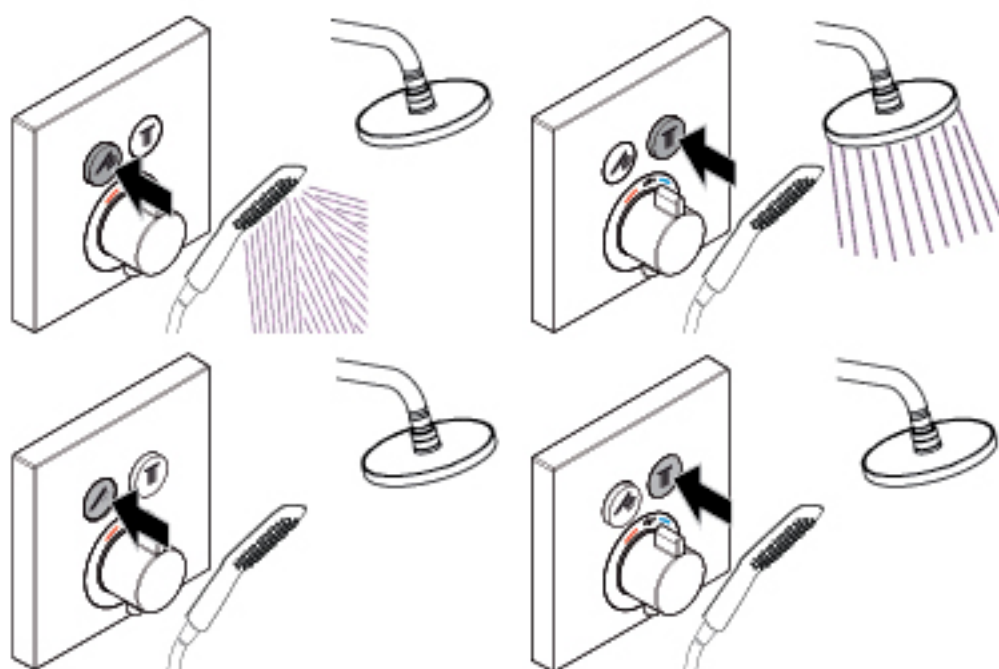
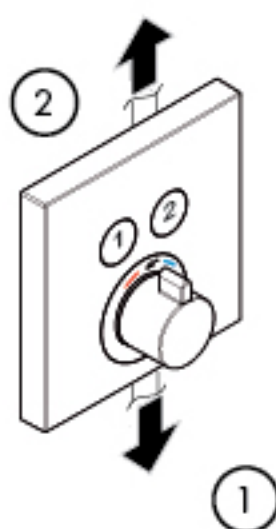
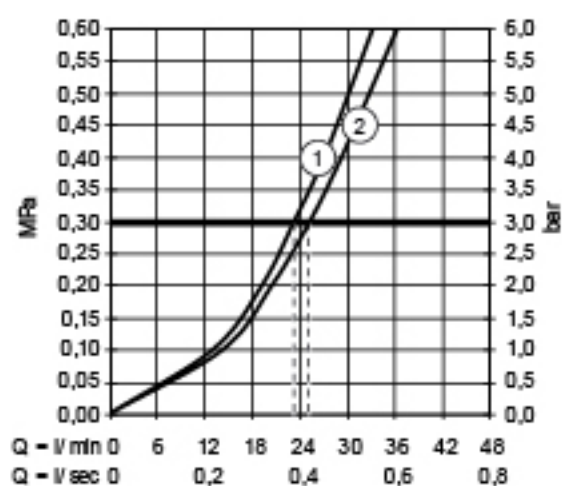
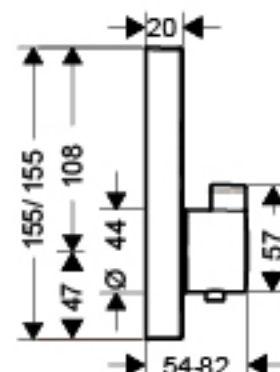
ShowerSelect 15738XXX




ShowerSelect S 15743XXX

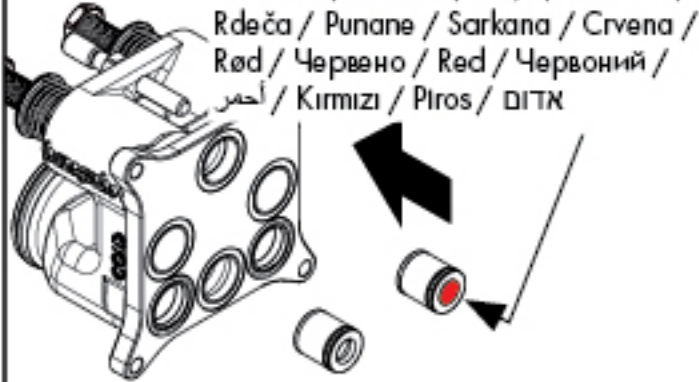



ShowerSelect 15763XXX

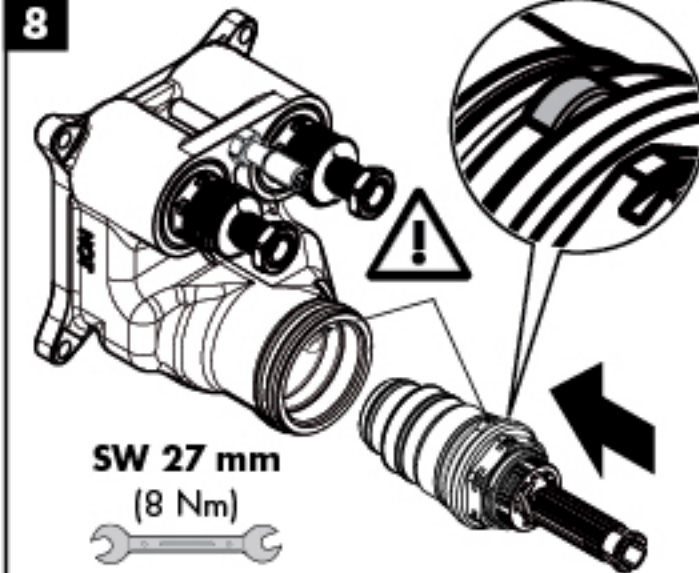





7  Rot / Rouge / Red / Rosso / Rojo / Rood / Rød / Vermelho / Czerwony / Červená / Červená / 红色 / Красный / Punainen / Röd / Raudona / Crvena / Roşu / Kókkvo / Rdeča / Punane / Sarkana / Crvena / Rød / Червено / Red / Червоний / أحمر / Kırmızı / Piros / ДІТК



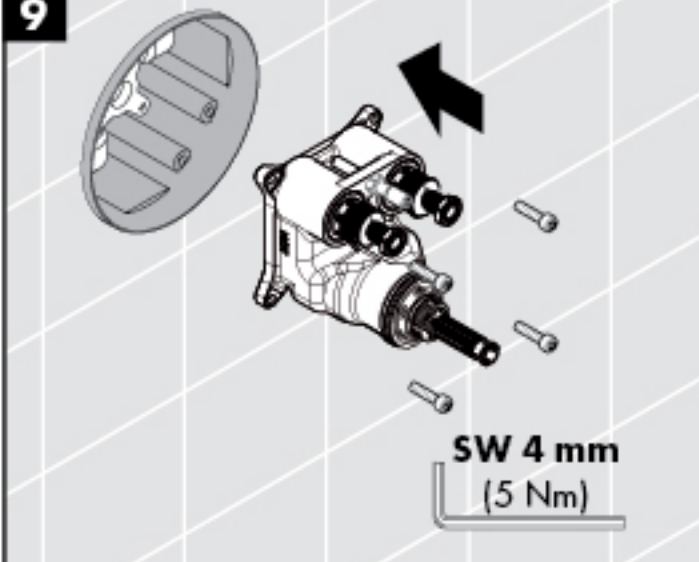
8 



SW 27 mm
(8 Nm)

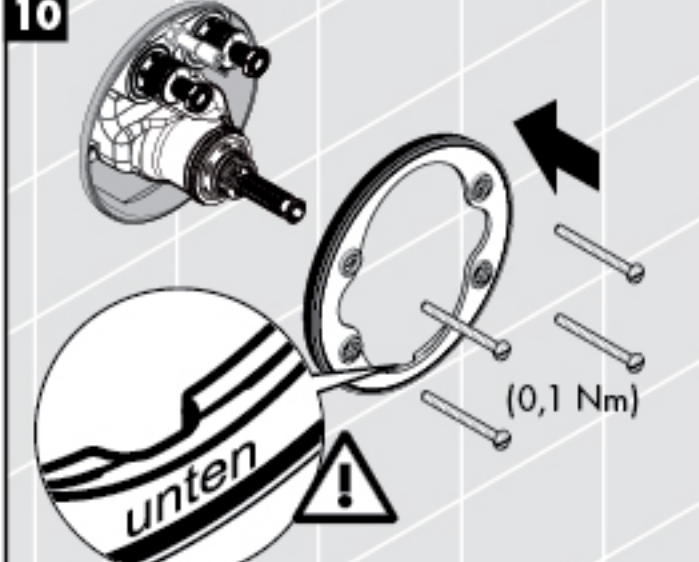


9





SW 4 mm
(5 Nm)

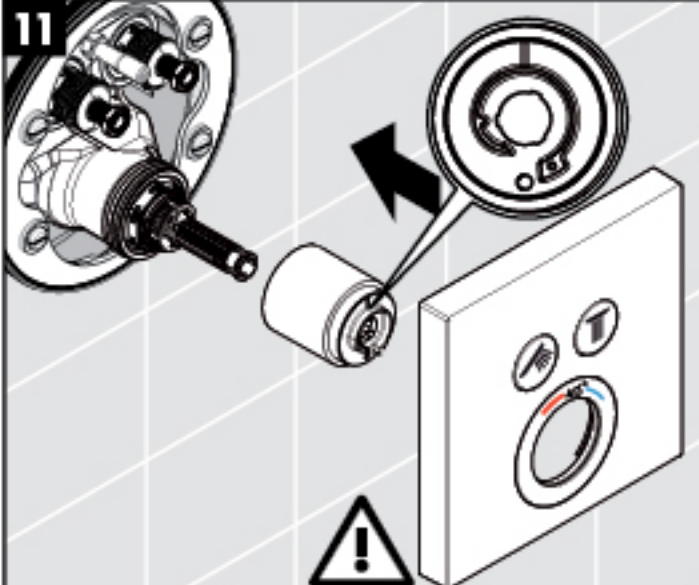
10




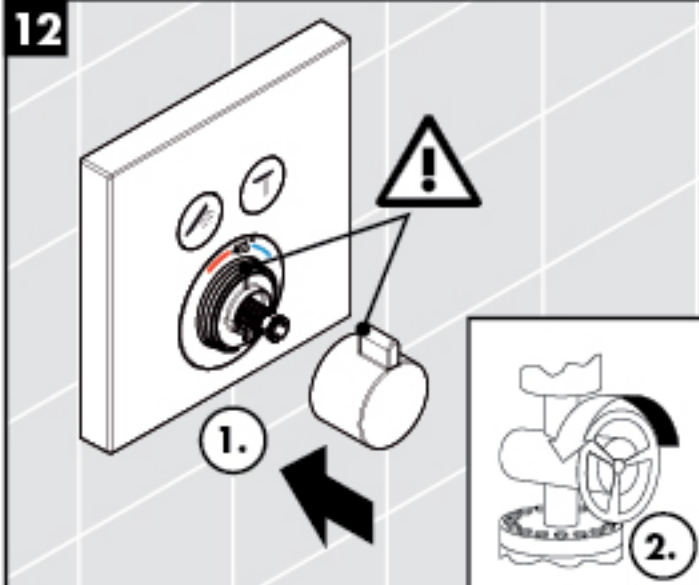
(0,1 Nm)



11 

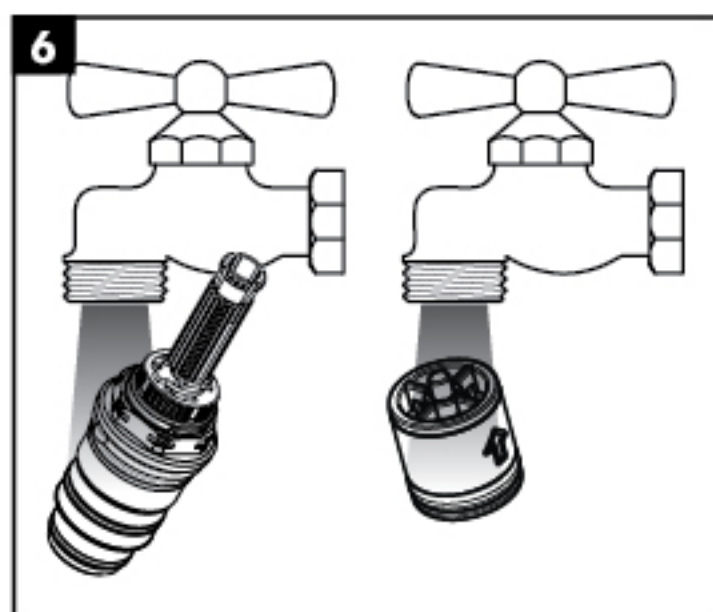
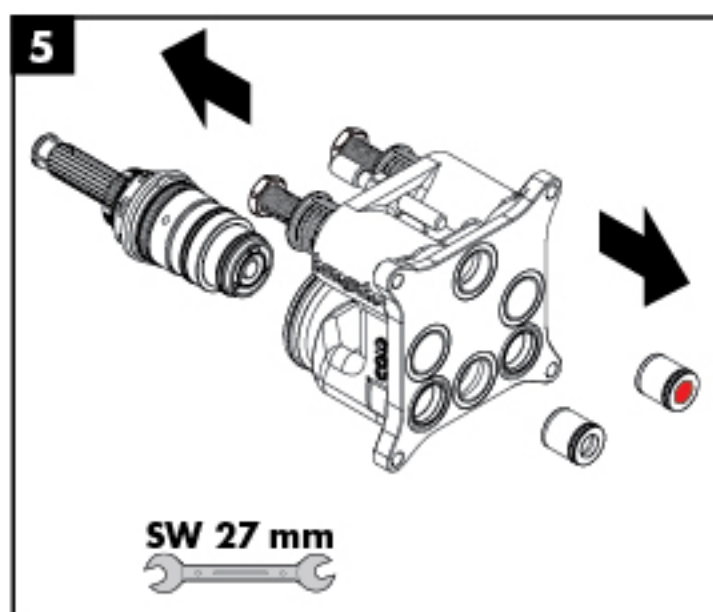
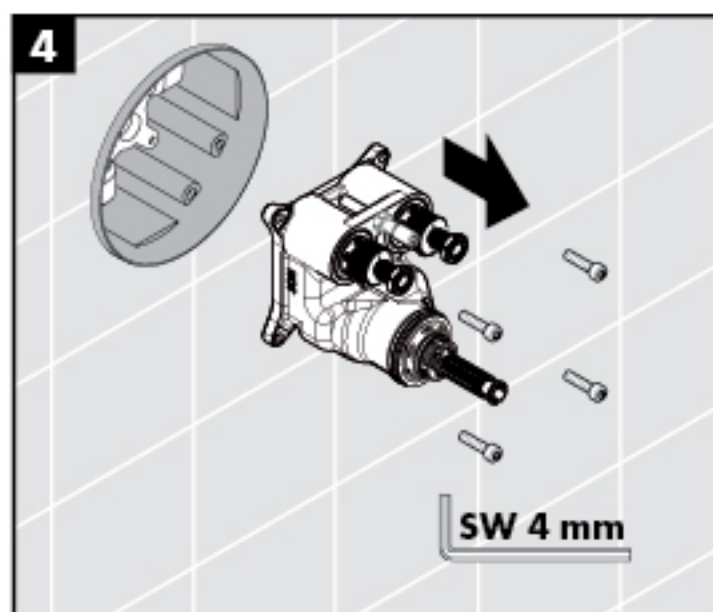
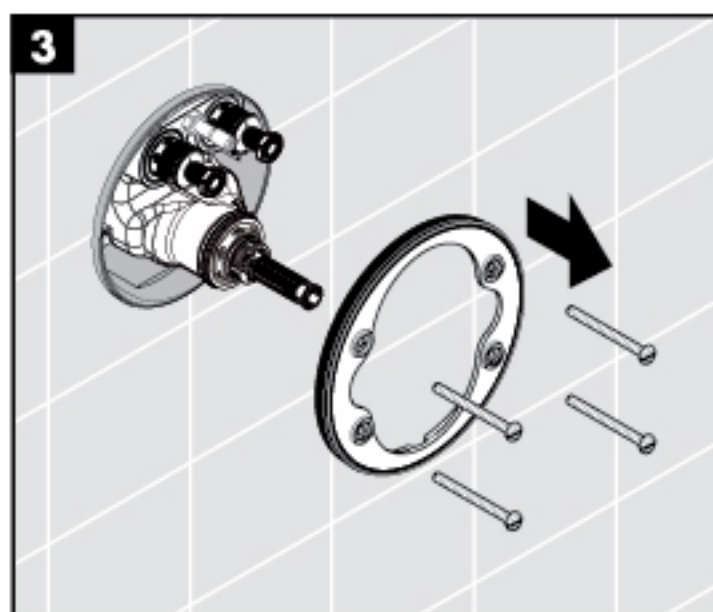
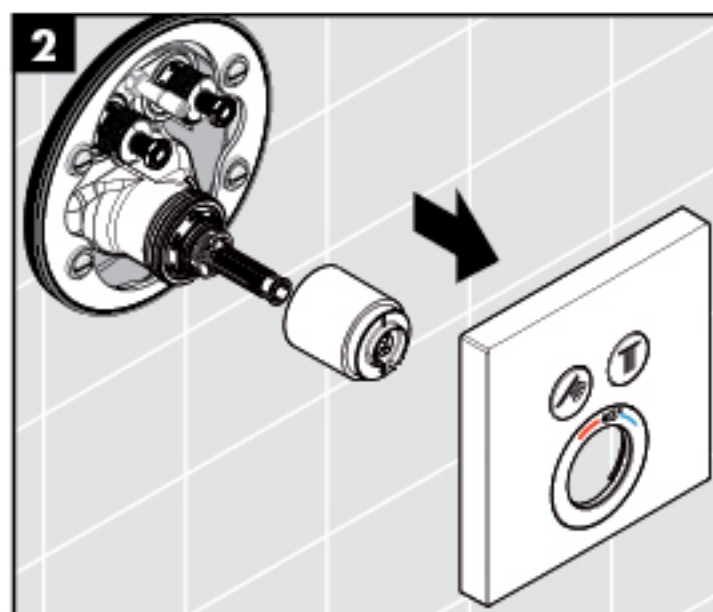
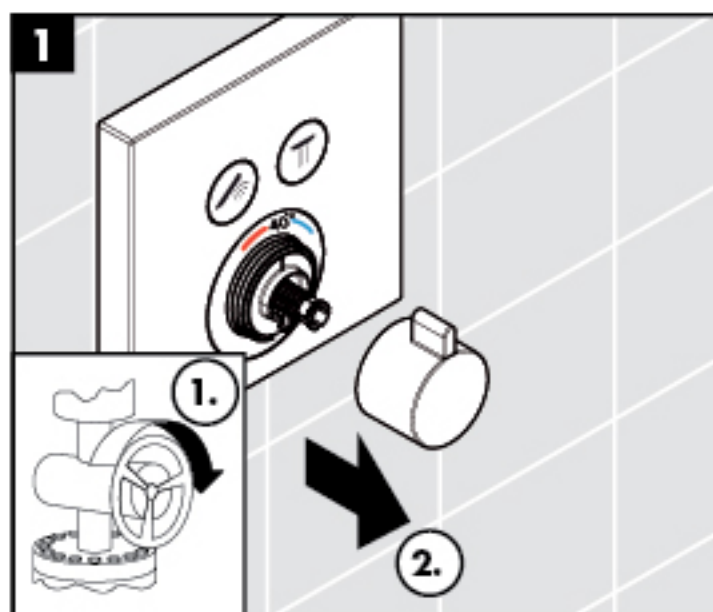


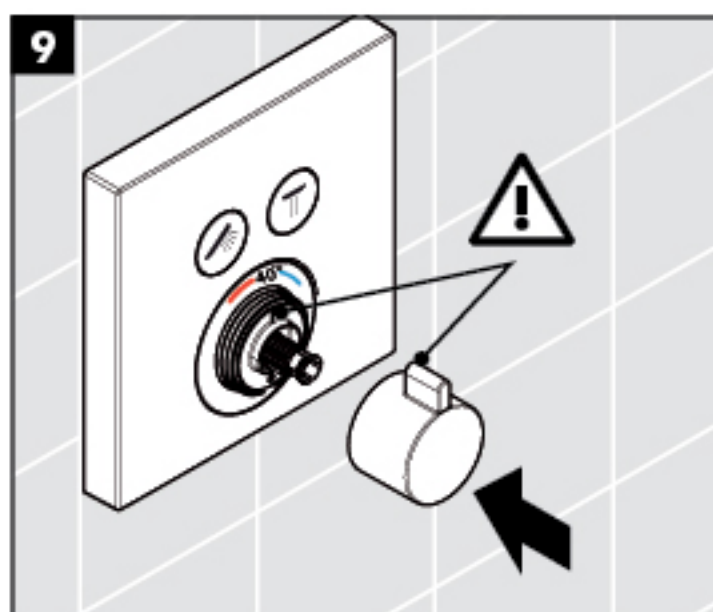
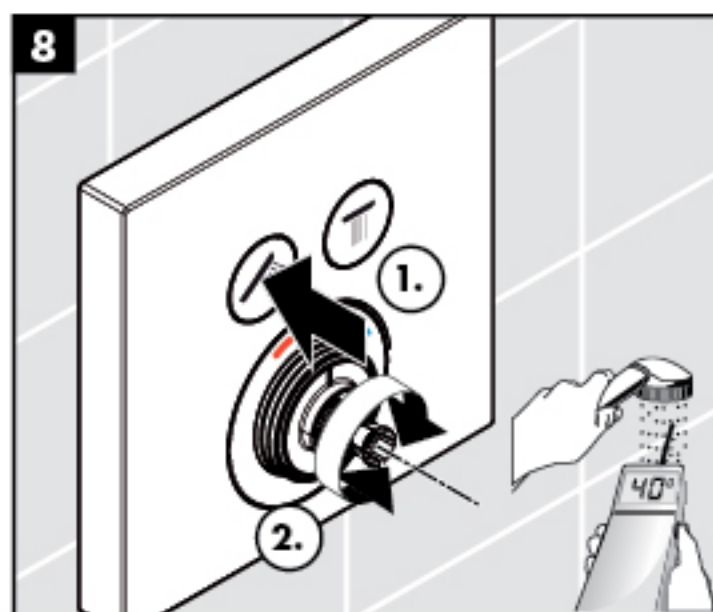
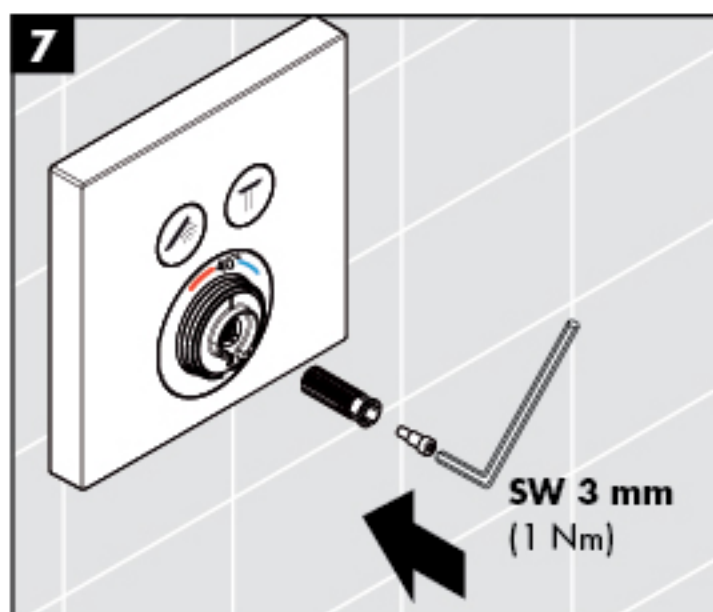
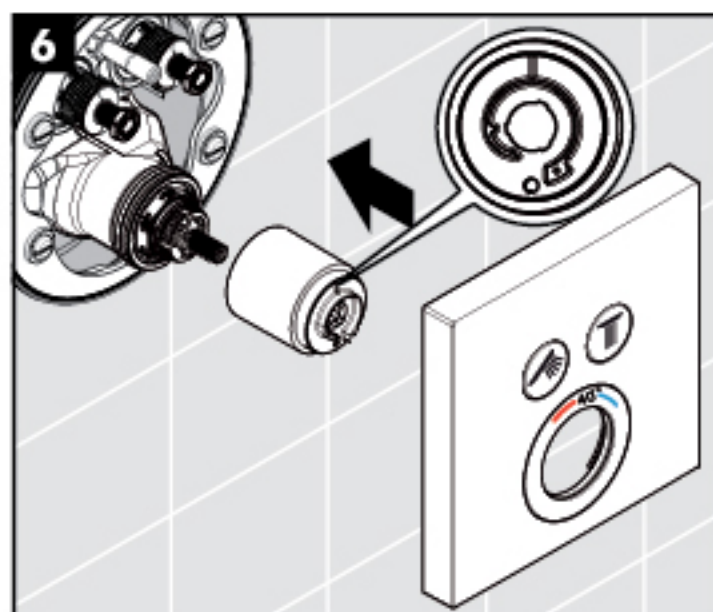
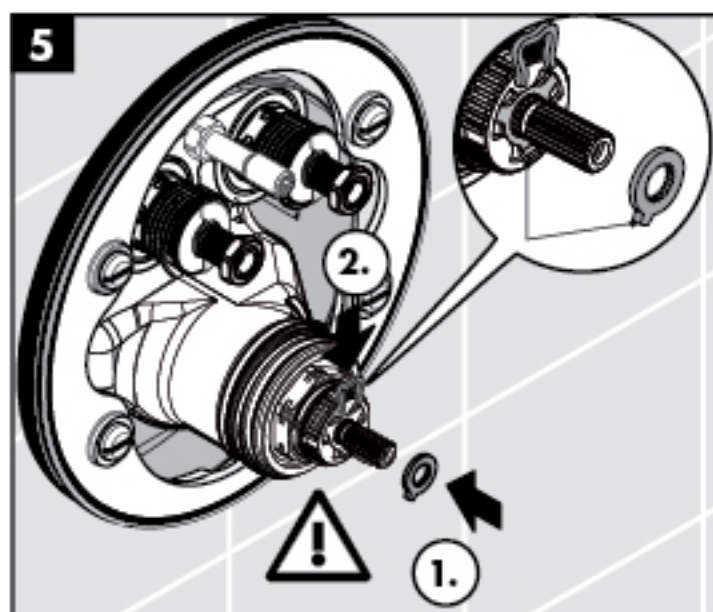
12 

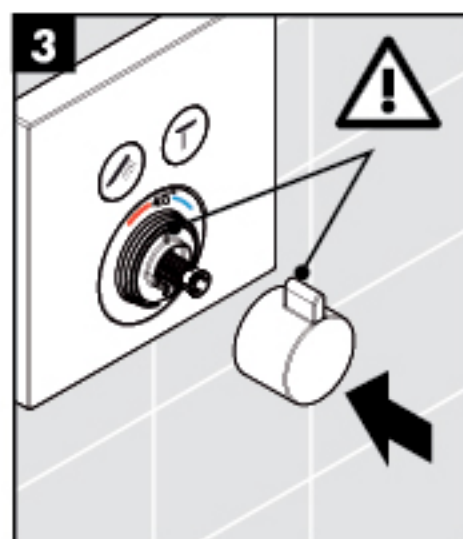
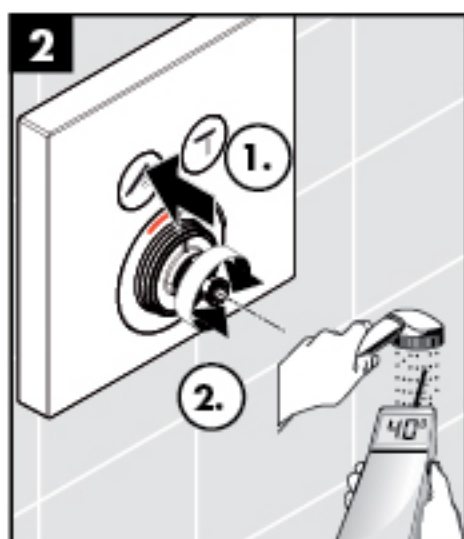
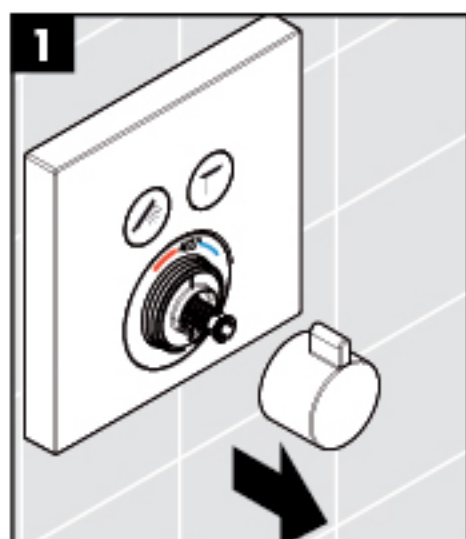


1.

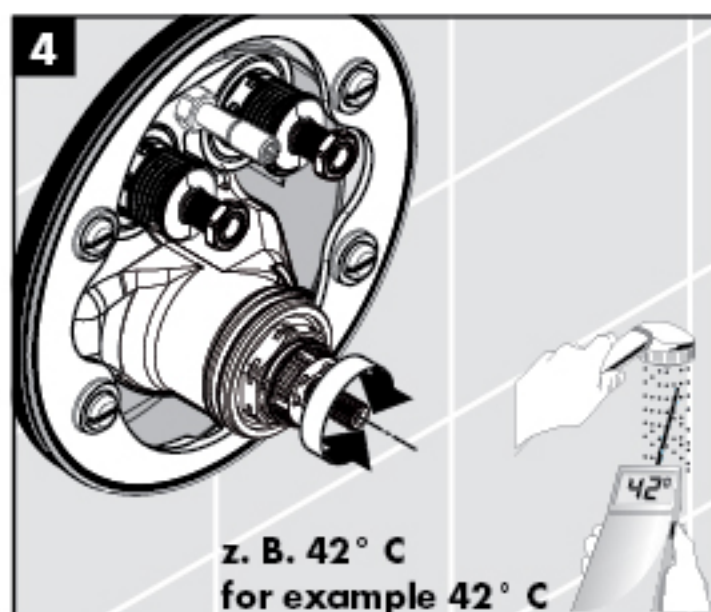
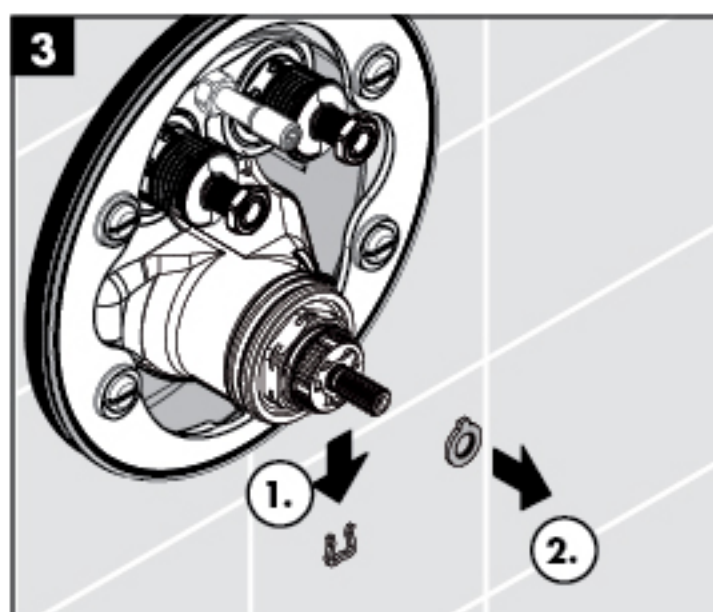
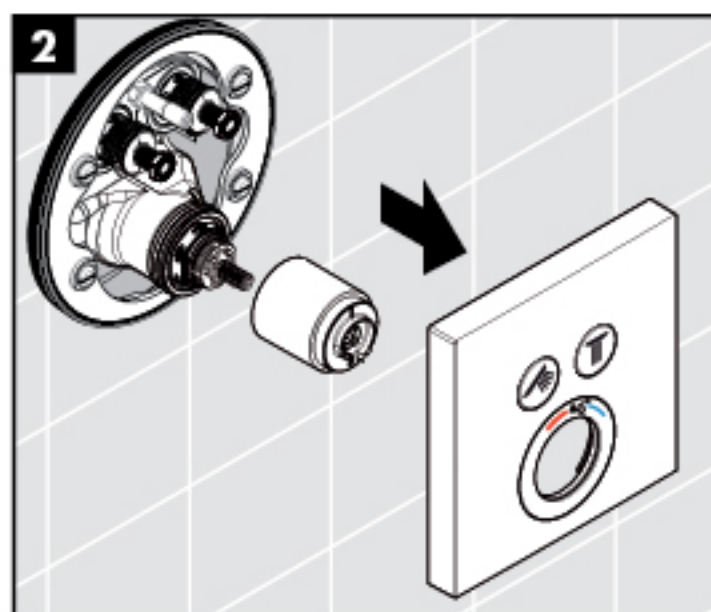
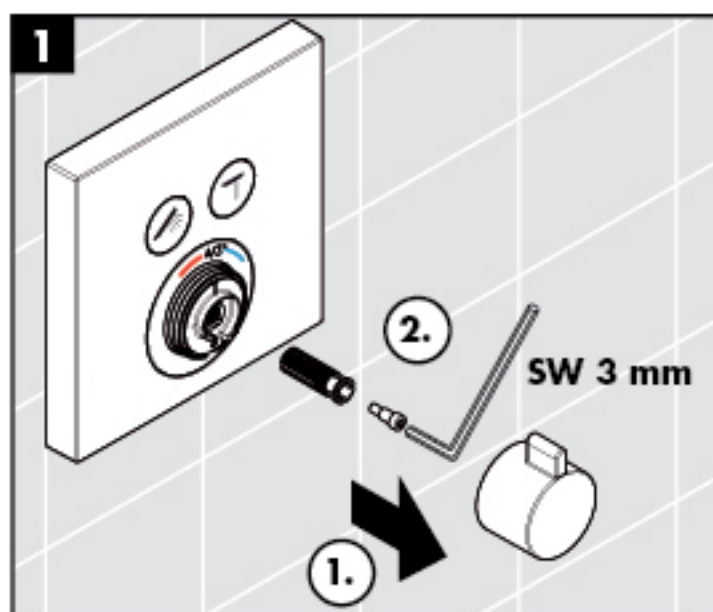
2.

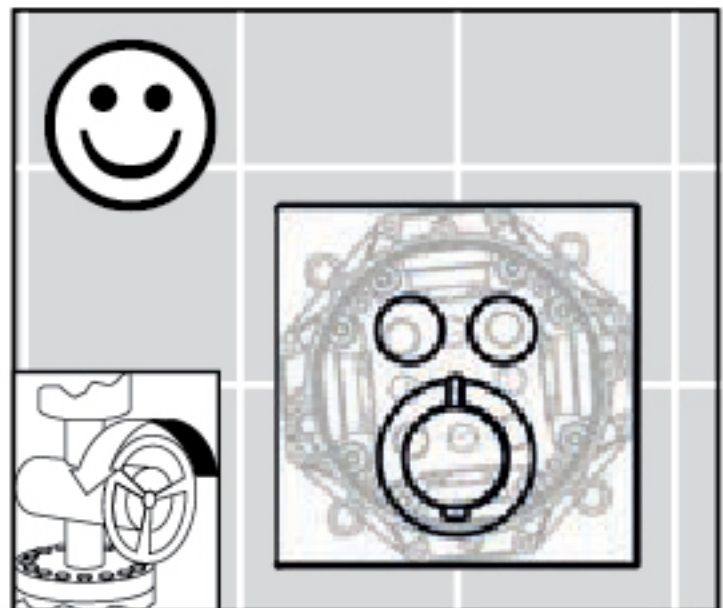
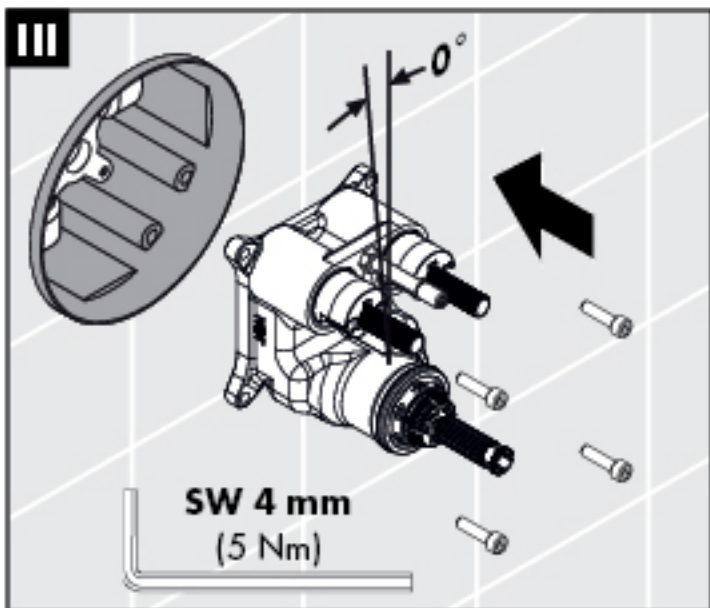
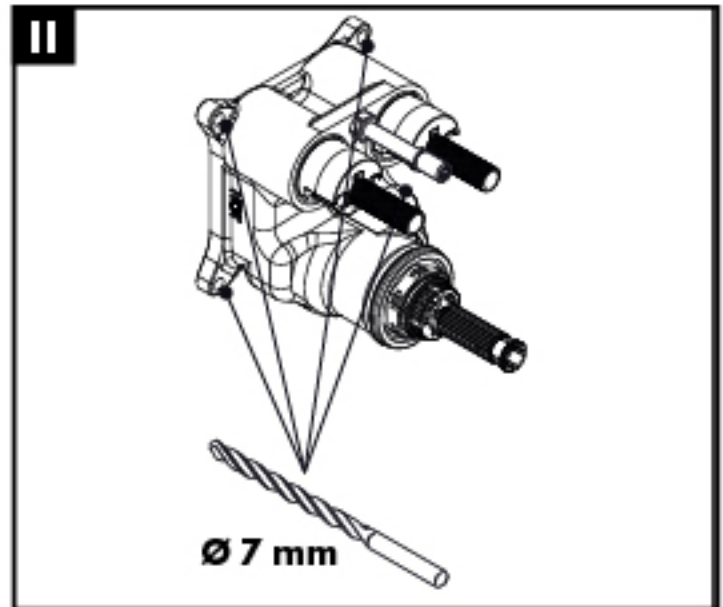
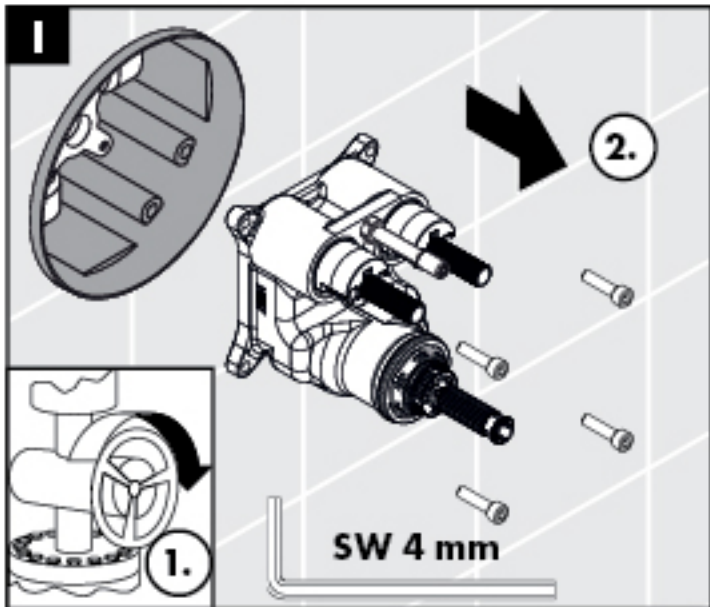
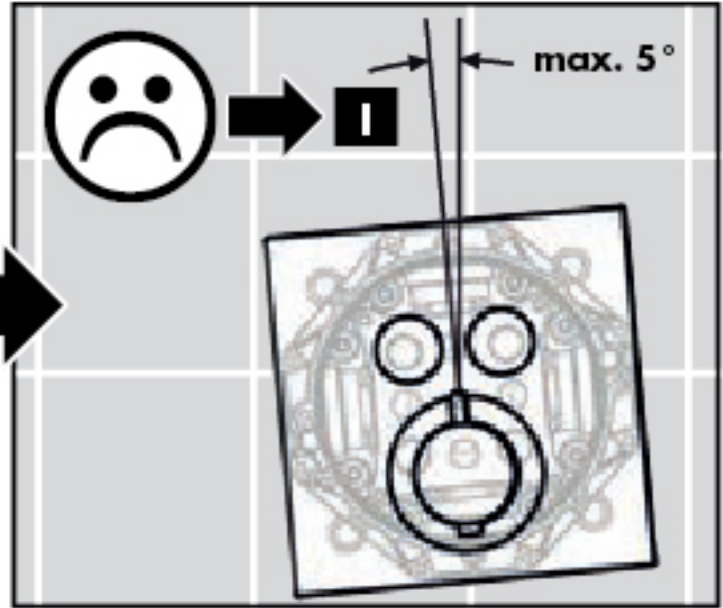


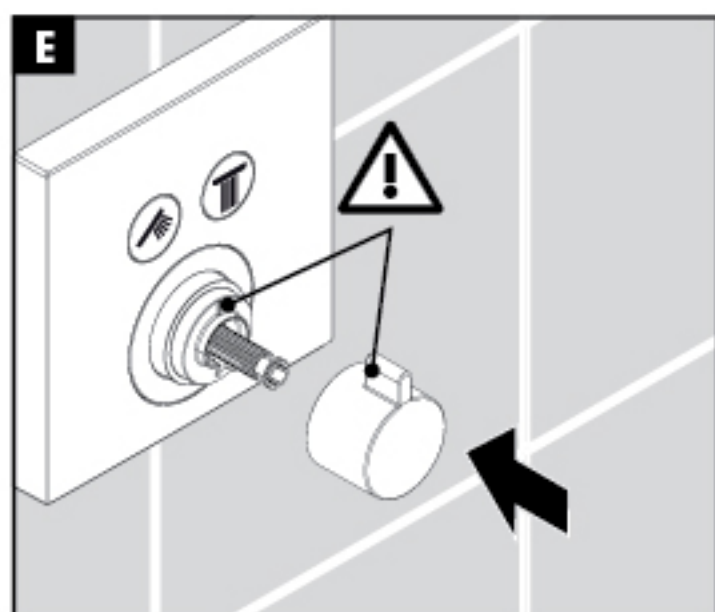
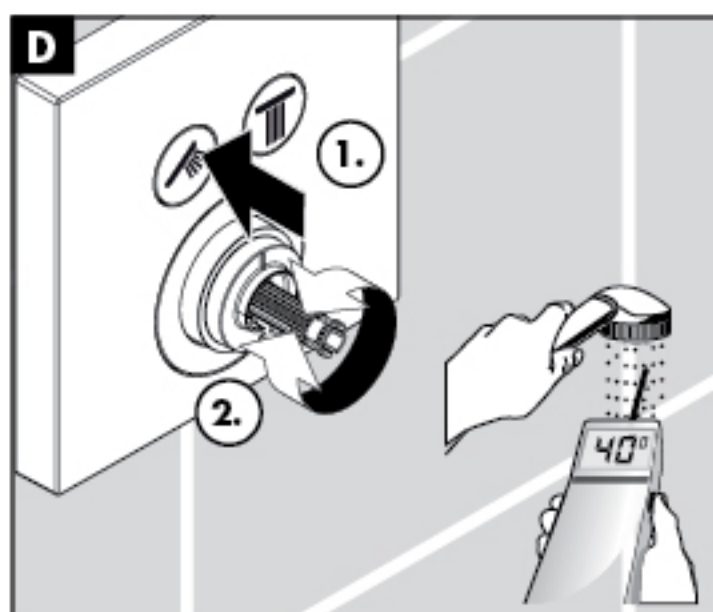
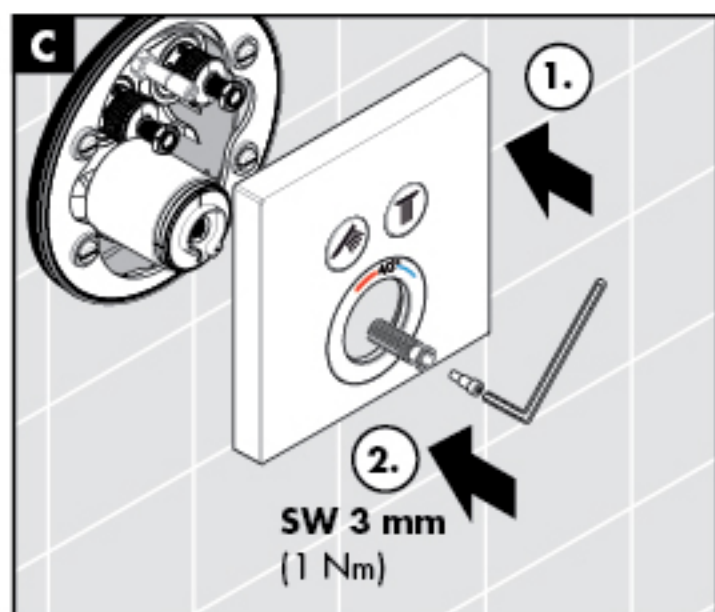
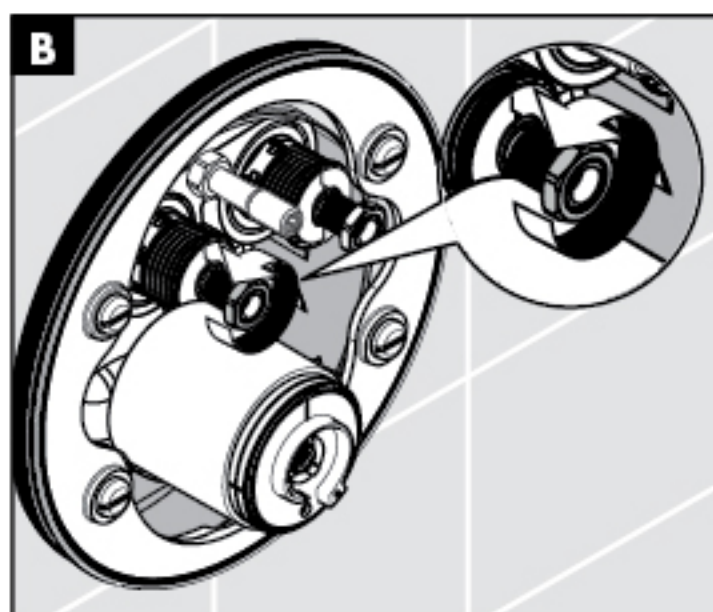
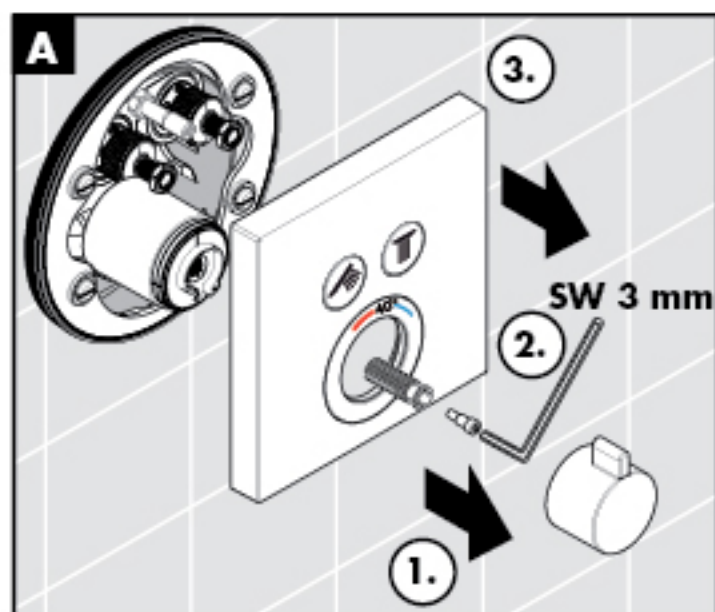
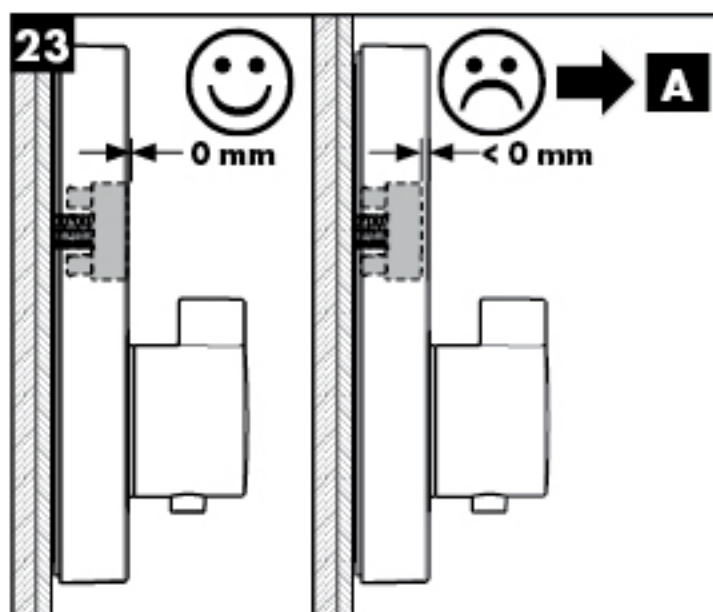


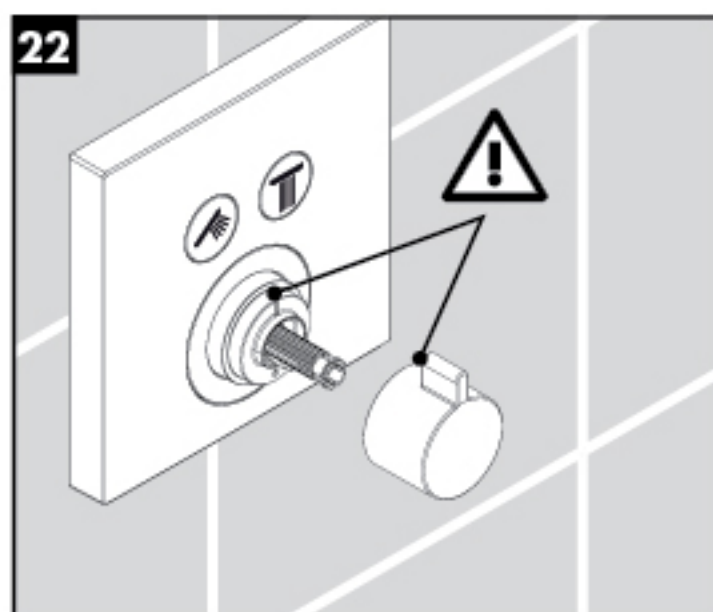
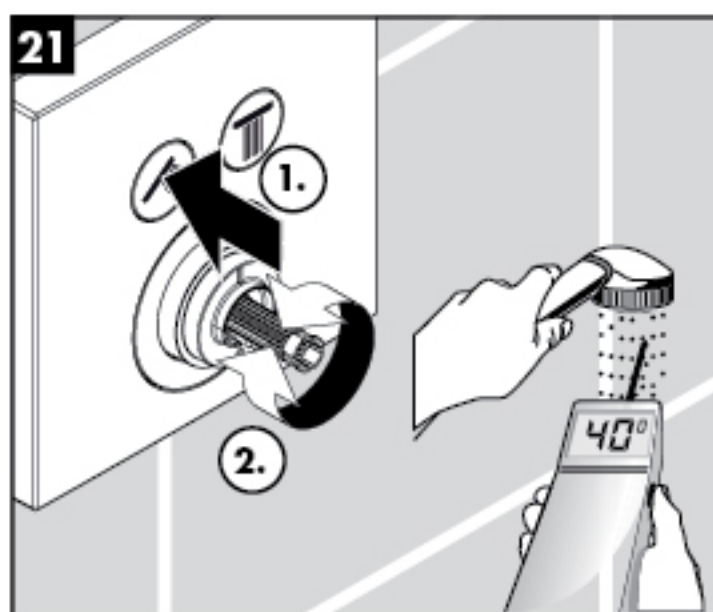
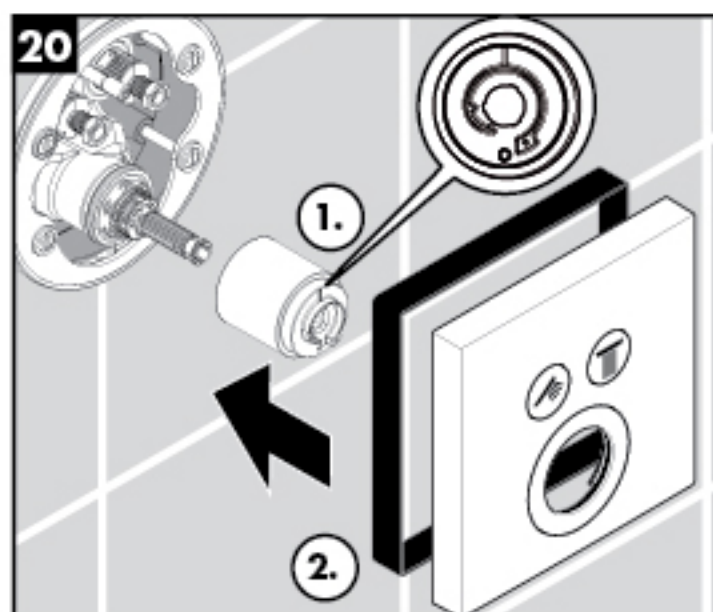
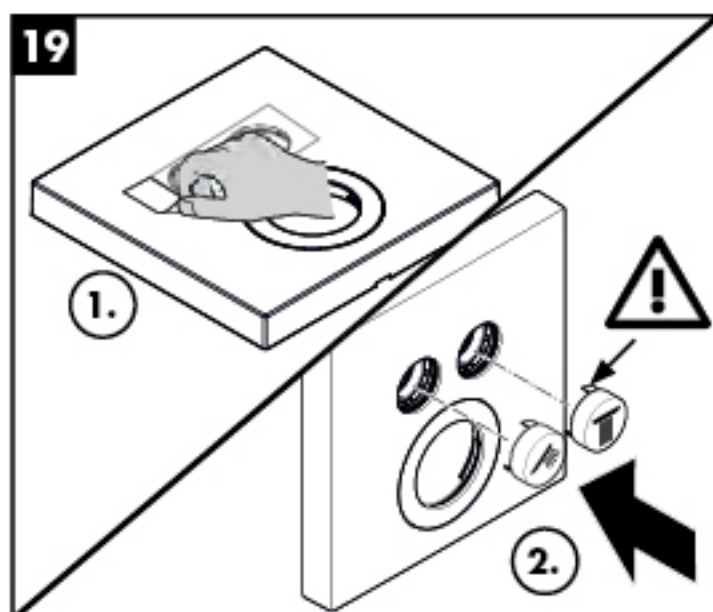
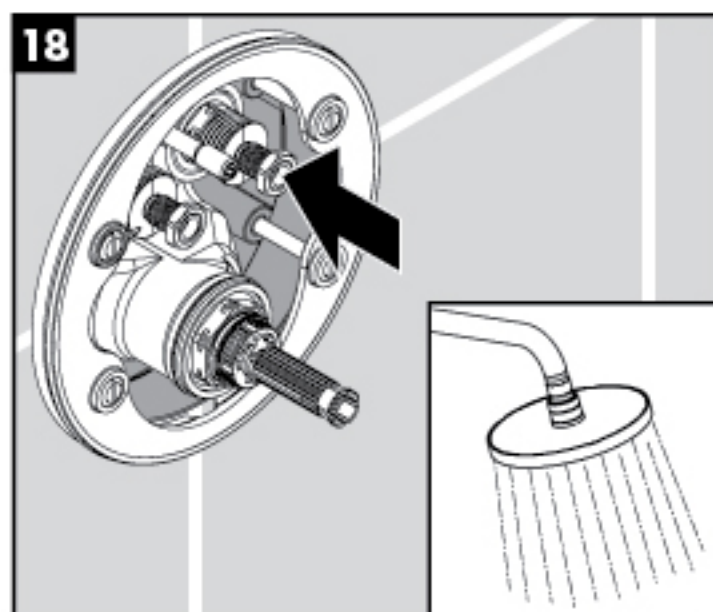
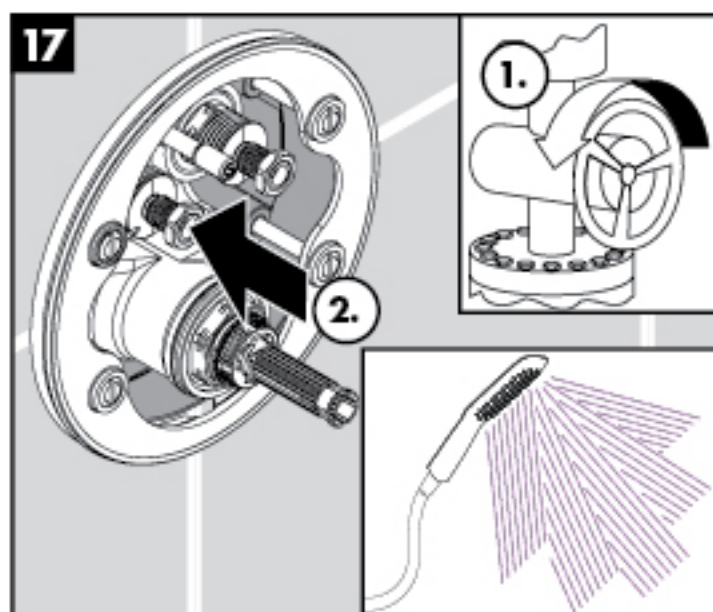


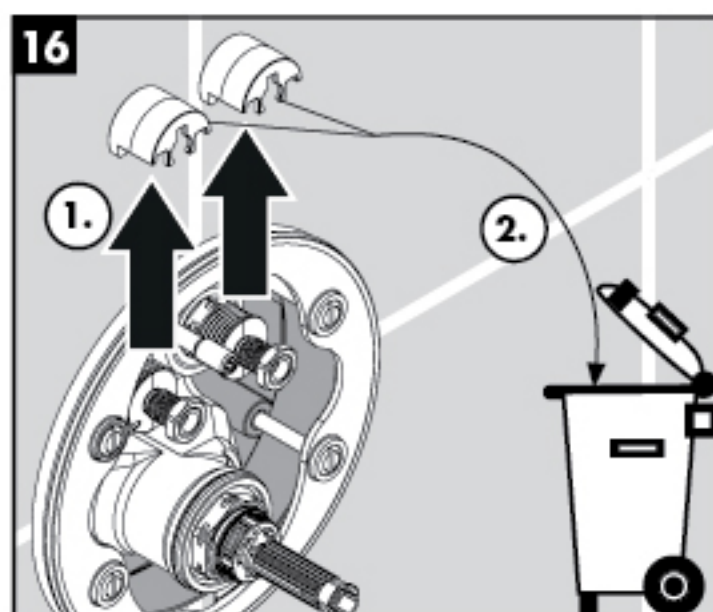
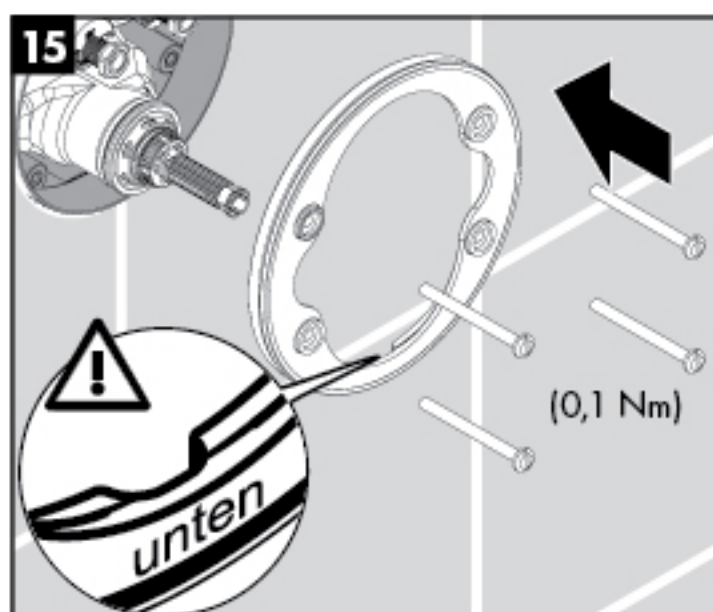
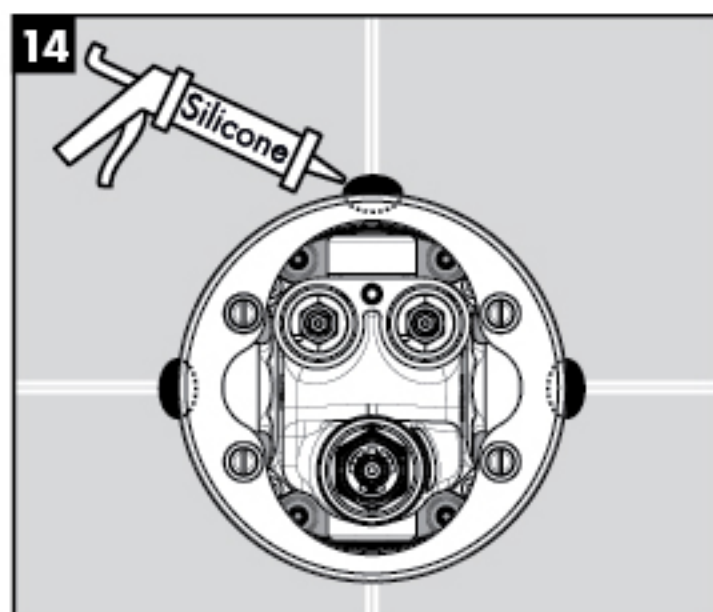
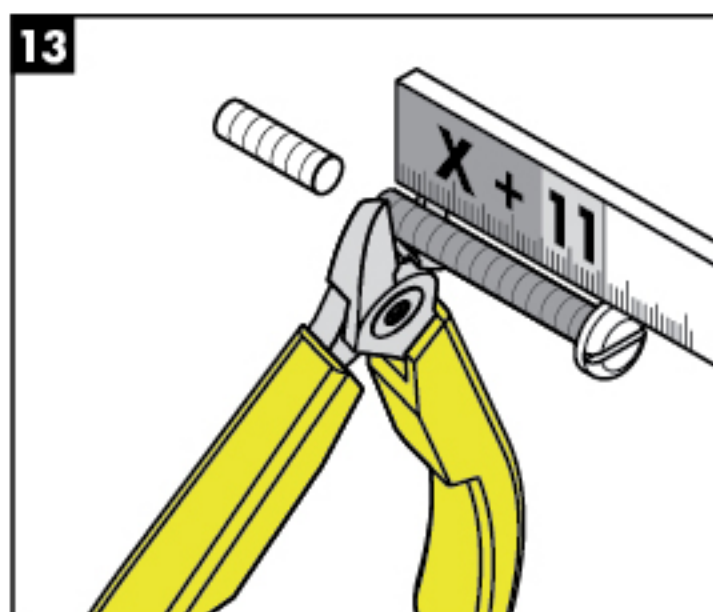
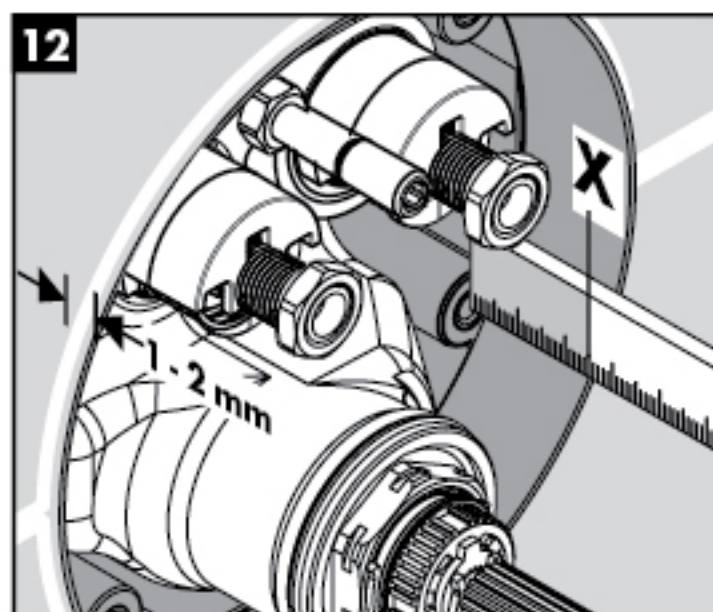
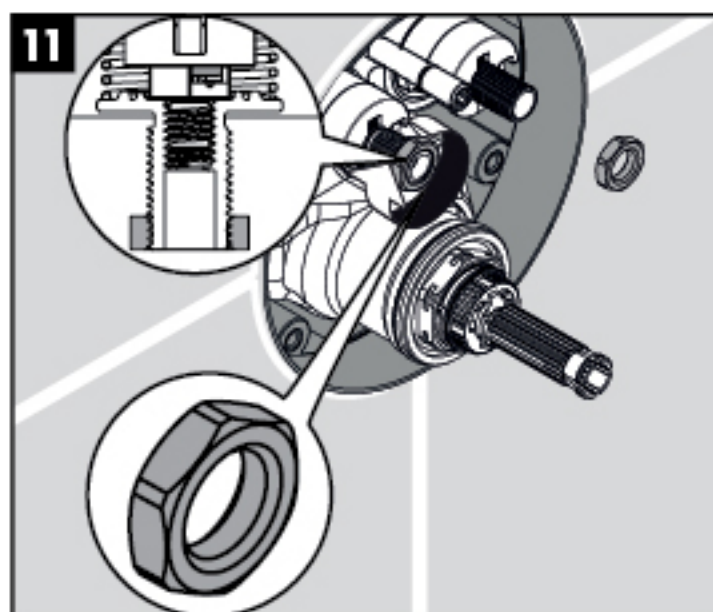
max.
≈ 42° C

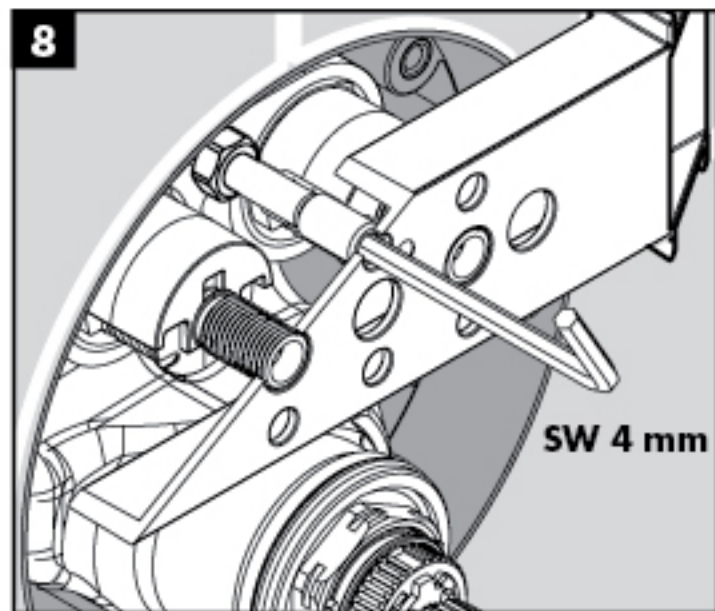
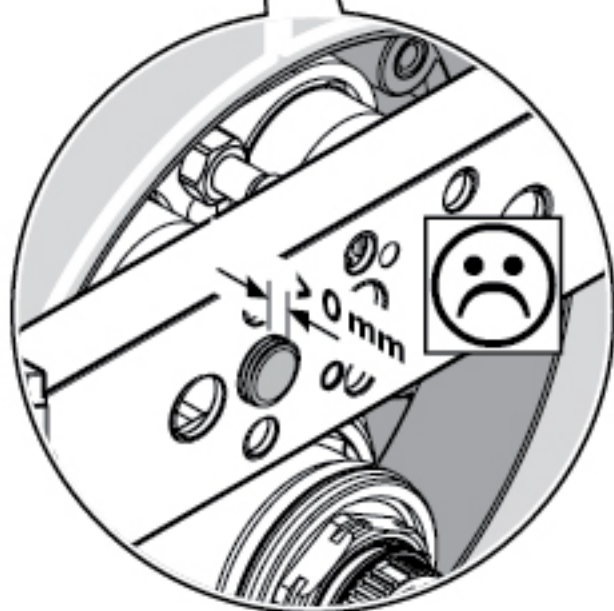
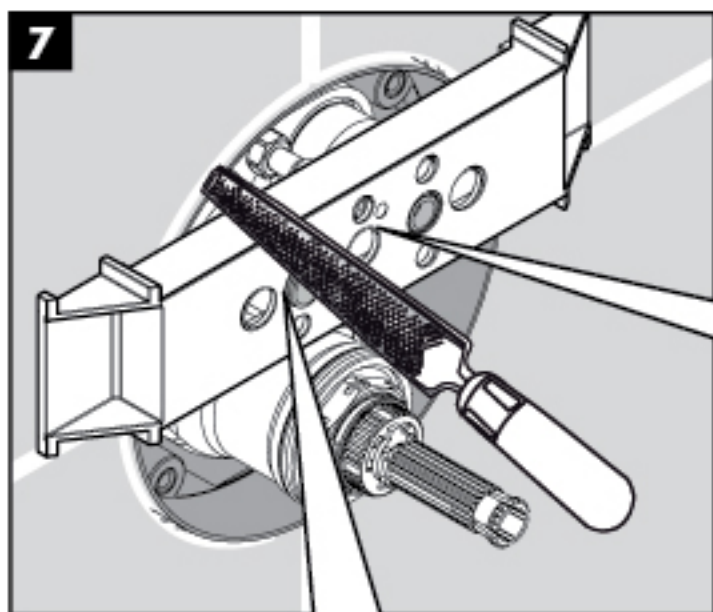




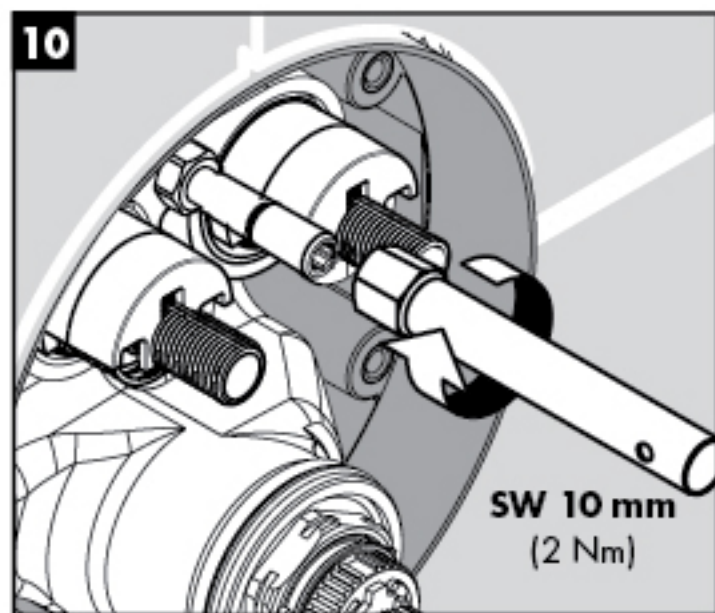
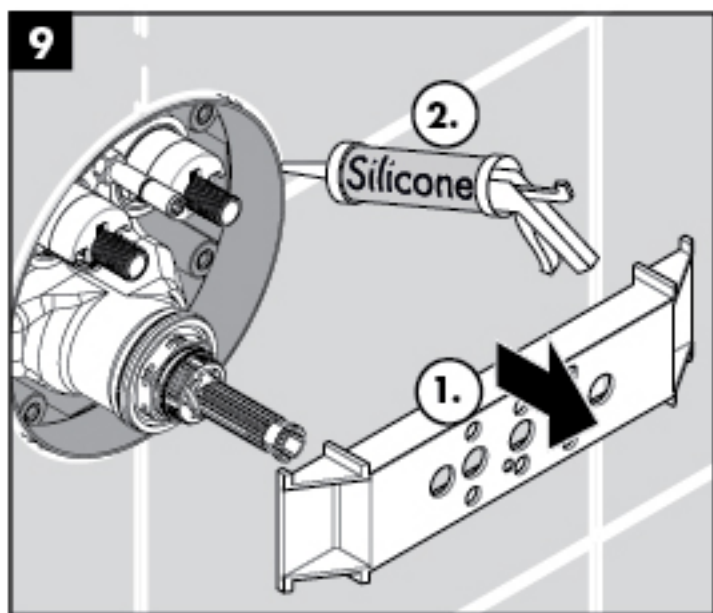




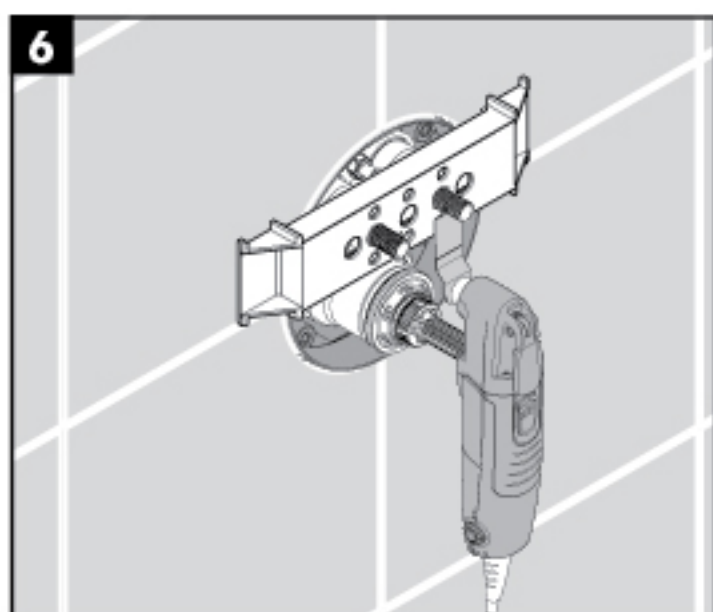
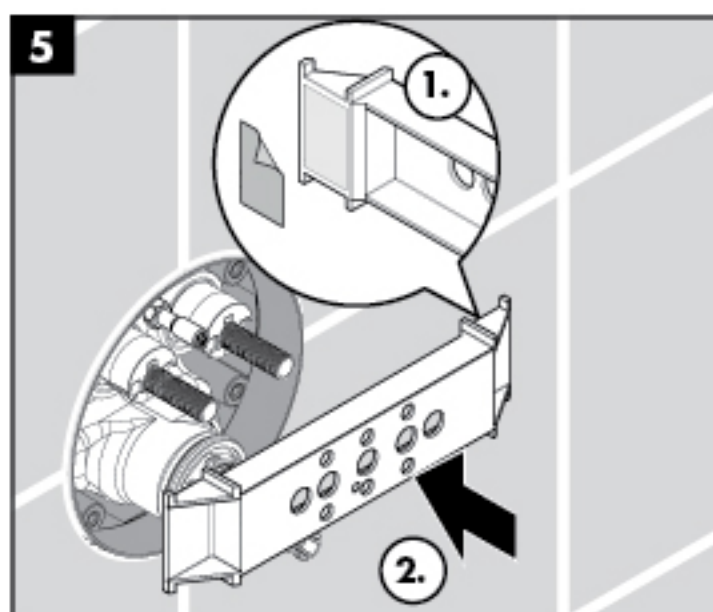
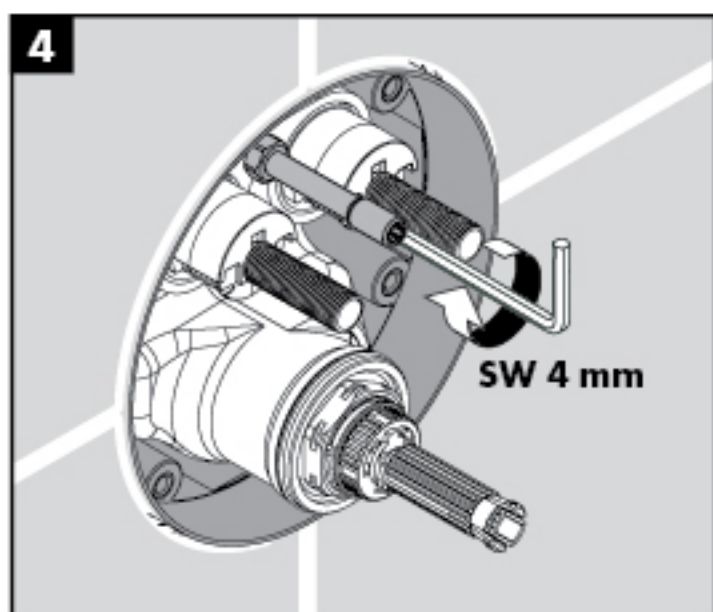
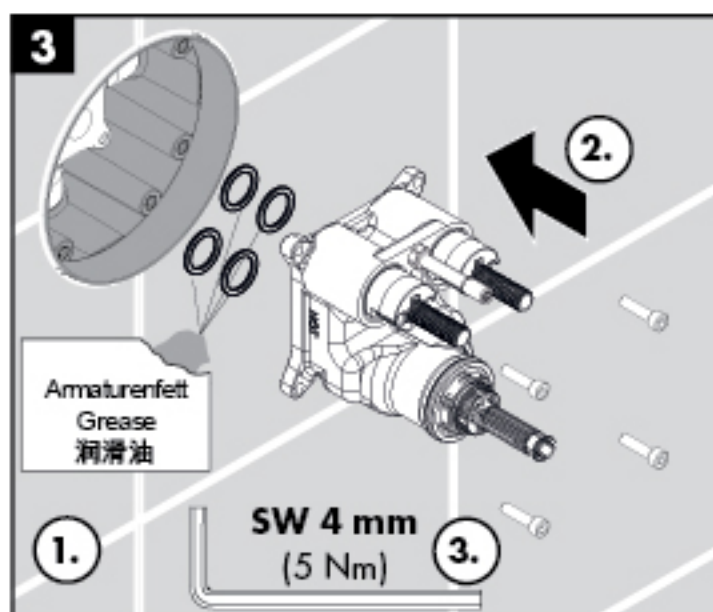
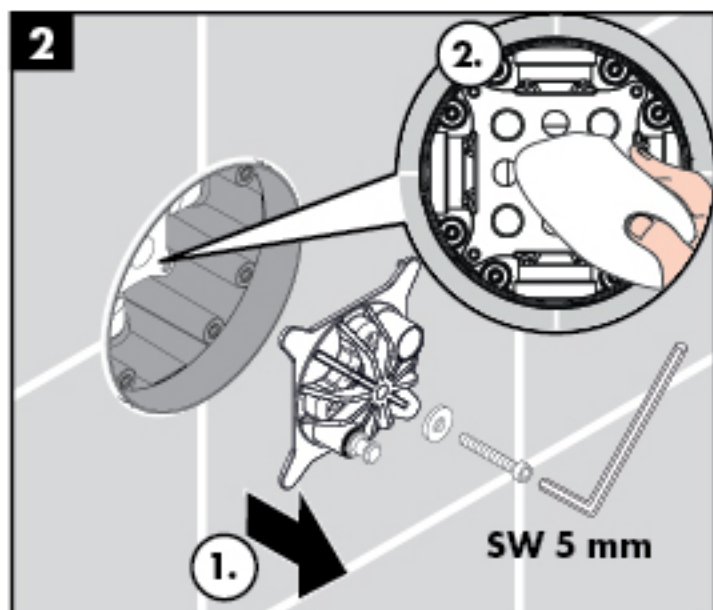
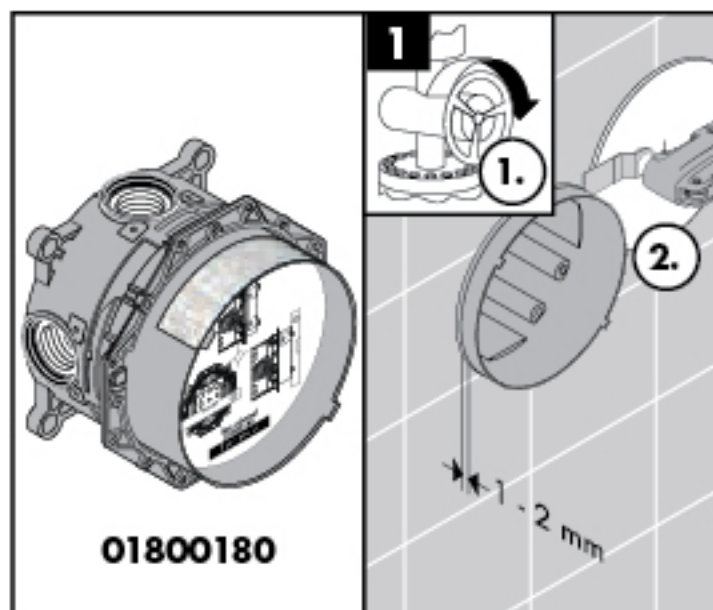




SW 4 mm



SW 10 mm
(2 Nm)





Fault	Cause	Remedy
Insufficient water	- Supply pressure inadequate	- Check water pressure (If a pump has been installed check to see if the pump is working).
	- Regulator filter dirty	- Clean filter in front of the mixer and on the MTC-thermo cartridge
	- Shower filter seal dirty	- Clean filter seal between shower and hose
Crossflow, hot water being forced into cold water pipe, or vice versa, when mixer is closed	- Backflow preventers dirty or leaking	- Clean backflow preventers, exchange if necessary
Spout temperature does not correspond with temperature set	- Thermostat has not been adjusted	- Adjust thermostat
	- Hot water temperature too low	- Increase hot water temperature to 42 °C to 60 °C
Temperature regulation not possible	- thermo cartridge calcified	- Exchange thermo cartridge
	- For new installations: basic body incorrectly connected (should be: cold right, hot left) or installed with 180° rotation	- Install function block turned through 180°
Safety stop button not operating	- Spring defective	- Clean spring and/or button, exchange if necessary
	- Button calcified	
Valve stiff	- Select stop valve DN9 damaged	- Exchange Select stop valve
Shower or spout dripping	- Select stop valve DN9 damaged	- Exchange Select stop valve
Pushbutton cannot be actuated or is without function	- Safety guard of isolating valve has not been removed	- Remove safety guard from isolating valve
Pushbutton is jammed or stiff	- Seal needs greasing	- Grease the seal
Pushbutton does not snap in	- Select Adapter incorrectly trimmed	- Trim and mount Select Adapter according to Fig. (see page 64 Fig. 6 + 68 Fig. 23)
		- First, fully press the pushbutton down into the rosette; then, mount the rosette



Safety Notes

- △ Gloves should be worn during installation to prevent crushing and cutting injuries.
- △ The product may only be used for bathing, hygienic and body cleaning purposes.
- △ Children as well as adults with physical, mental and/or sensoric impairments must not use this product without proper supervision. Persons under the influence of alcohol or drugs are prohibited from using this product.
- △ The hot and cold supplies must be of equal pressures.

Installation Instructions

- Prior to installation, inspect the product for transport damages. After it has been installed, no transport or surface damage will be honoured.
- The pipes and the fixture must be installed, flushed and tested as per the applicable standards.
- The plumbing codes applicable in the respective countries must be observed.
- If the thermostat or mixer is set to maximum water temperature, there is a risk of scalding at hydraulic opening of the check valve. For this reason, Hansgrohe recommends that you set up the "Safety Function".

Special information for UK

If installing this product with a pump, please be aware that it has to have negative head switching. This product will not function with a positive head pump.

Technical Data

Operating pressure:	max. 1 MPa
Recommended operating pressure:	0,1 - 0,5 MPa
Test pressure:	1,6 MPa
	(1 MPa = 10 bar = 147 PSI)
Hot water temperature:	max. 60°C
Thermal disinfection:	70°C / 4 min

- Safety against backflow
- The product is exclusively designed for drinking water!

Symbol description



Do not use silicone containing acetic acid!

max. 42°C Safety Function (see page 70)

The desired maximum temperature for example max. 42°C can be pre-set thanks to the safety function.



Adjustment (see page 70)

After the installation, the output temperature of the thermostat must be checked. A correction is necessary if the temperature measured at the output differs from the temperature set on the thermostat.



Maintenance (see page 72)

- The check valves must be checked regularly according to EN 806-5 in accordance with national or regional regulations (at least once a year).
- To guarantee the smooth running of the thermostat, it is necessary from time to time to turn the thermostat from total hot to total cold.



Dimensions (see page 74)



Flow diagram (see page 74)

free flow

- ① Outlet 1
- ② Outlet 2



Spare parts (see page 75)

- XXX = Colors
- 000 = Chrome Plated
- 140 = Brushed Bronze
- 250 = Brushed Gold-Optic
- 310 = Brushed Redgold
- 340 = Brushed Black Chrome
- 670 = Matt Black
- 700 = Matt White
- 990 = Polished Gold-Optic



Special accessories (see page 75)

order as an extra

- extension 25 mm #13595000
- Extension Set 22 mm (when wall is not deep enough) #13604000, #13593XXX, #13597XXX
- levelling set 1° #95521000



Cleaning (see page 76)



Operation (see page 74)

Minor leaking may occur briefly during initial commissioning and interruption/restart of the water supply.



Test certificate (see page 76)