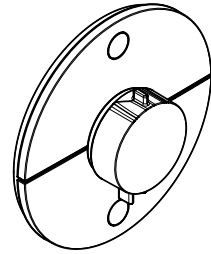
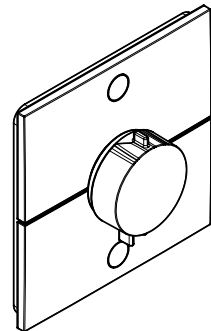


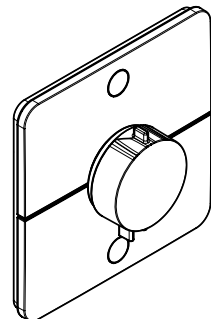
<b>DE</b>	Gebrauchsanleitung / Montageanleitung	<b>2</b>
<b>FR</b>	Mode d'emploi / Instructions de montage	<b>4</b>
<b>EN</b>	Instructions for use / Assembly instructions	<b>6</b>
<b>IT</b>	Istruzioni per l'uso / Istruzioni per Installazione	<b>8</b>
<b>ES</b>	Modo de empleo / Instrucciones de montaje	<b>10</b>
<b>NL</b>	Gebruiksaanwijzing / Handleiding	<b>12</b>
<b>DK</b>	Brugsanvisning / Monteringsvejledning	<b>14</b>
<b>PT</b>	Instruções para uso / Manual de Instalação	<b>16</b>
<b>PL</b>	Instrukcja obsługi / Instrukcja montażu	<b>18</b>
<b>CS</b>	Návod k použití / Montážní návod	<b>20</b>
<b>SK</b>	Návod na použitie / Montážny návod	<b>22</b>
<b>ZH</b>	用户手册 / 组装说明	<b>24</b>
<b>RU</b>	Руководство пользователя / Инструкция по монтажу	<b>26</b>
<b>FI</b>	Käyttöohje / Asennusohje	<b>28</b>
<b>SV</b>	Bruksanvisning / Monteringsanvisning	<b>30</b>
<b>LT</b>	Vartotojo instrukcija / Montavimo instrukcijos	<b>32</b>
<b>HR</b>	Upute za uporabu / Uputstva za instalaciju	<b>34</b>
<b>RO</b>	Manual de utilizare / Instrucțiuni de montare	<b>36</b>
<b>EL</b>	Οδηγίες χρήσης / Οδηγία συναρμολόγησης	<b>38</b>
<b>SI</b>	Navodilo za uporabo / Navodila za montažo	<b>40</b>
<b>ET</b>	Kasutusjuhend / Paigaldusjuhend	<b>42</b>
<b>LV</b>	Lietošanas pamācība / Montāžas instrukcija	<b>44</b>
<b>SR</b>	Uputstvo za upotrebu / Uputstvo za montažu	<b>46</b>
<b>NO</b>	Bruksanvisning / Montasjeveiledning	<b>48</b>
<b>BG</b>	Инструкция за употреба / Ръководство за монтаж	<b>50</b>
<b>JP</b>	取扱説明書 / 施工説明書	<b>52</b>
<b>UA</b>	Інструкції з використання / Інструкція по збірці	<b>54</b>
<b>AR</b>	دليل الاستخدام / تعليمات التجميع	<b>57</b>
<b>TR</b>	Kullanım kılavuzu / Montaj kılavuzu	<b>58</b>
<b>HU</b>	Használati útmutató / Szerelési útmutató	<b>60</b>
<b>HE</b>	הוראות שימוש / הוראות הרכבה	<b>63</b>



**ShowerSelect S**  
15554XXX



**ShowerSelect E**  
15572XXX



**ShowerSelect Q**  
15583XXX



## Safety Notes

- △ Gloves should be worn during installation to prevent crushing and cutting injuries.
- △ The product may only be used for bathing, hygienic and body cleaning purposes.
- △ Children as well as adults with physical, mental and/or sensoric impairments must not use this product without proper supervision. Persons under the influence of alcohol or drugs are prohibited from using this product.
- △ The hot and cold supplies must be of equal pressures.

## Installation Instructions

- Prior to installation, inspect the product for transport damages. After it has been installed, no transport or surface damage will be honoured.
- The pipes and the fixture must be installed, flushed and tested as per the applicable standards.
- The plumbing codes applicable in the respective countries must be observed.
- If the thermostat or mixer is set to maximum water temperature, there is a risk of scalding at hydraulical opening of the check valve. For this reason, Hansgrohe recommends that you set up the "Safety Function".

## Special information for UK

If installing this product with a pump, please be aware that it has to have negative head switching. This product will not function with a positive head pump.

## Technical Data

Operating pressure:	max. 1 MPa
Recommended operating pressure:	0,1 - 0,5 MPa
Test pressure:	1,6 MPa (1 MPa = 10 bar = 147 PSI)
Hot water temperature:	max. 60 °C
Thermal disinfection:	70 °C / 4 min

- Safety against backflow
- The product is exclusively designed for drinking water!

## Symbol description



Do not use silicone containing acetic acid!

**max. ≈ 42 °C Safety Function** (see page 68)

The desired maximum temperature for example max. 42 °C can be pre-set thanks to the safety function.



**Adjustment** (see page 66)

After the installation, the output temperature of the thermostat must be checked. A correction is necessary if

the temperature measured at the output differs from the temperature set on the thermostat.



**Maintenance** (see page 71)

- The check valves must be checked regularly according to EN 806-5 in accordance with national or regional regulations (at least once a year).
- To guarantee the smooth running of the thermostat, it is necessary from time to time to turn the thermostat from total hot to total cold.



**Dimensions** (see page 67)



**Flow diagram** (see page 67)

free flow

- ① Outlet 1
- ② Outlet 2



**Spare parts** (see page 74)

XXX = Colors  
 000 = Chrome Plated  
 140 = Brushed Bronze  
 340 = Brushed Black Chrome  
 670 = Matt Black  
 700 = Matt White



**Special accessories** (see page 74)

order as an extra

- Installation tool #87567000
- Extension Set 5 mm (when wall is not deep enough) #13612XXX, #13613XXX, #13614XXX
- Extension Set 22 mm (when wall is not deep enough) #13617XXX, #13618XXX, #13624XXX
- extension 25 mm #13638000
- extension 25 - 75 mm #13632000



**Cleaning** (see page 76)



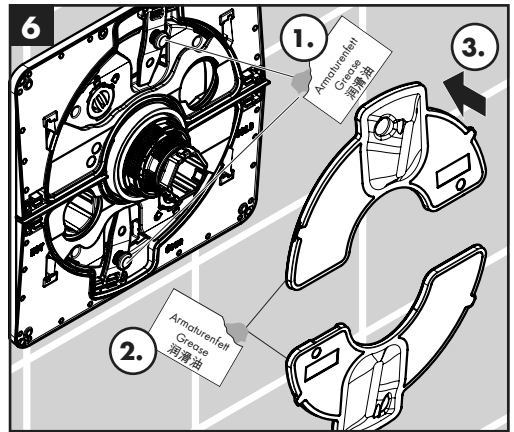
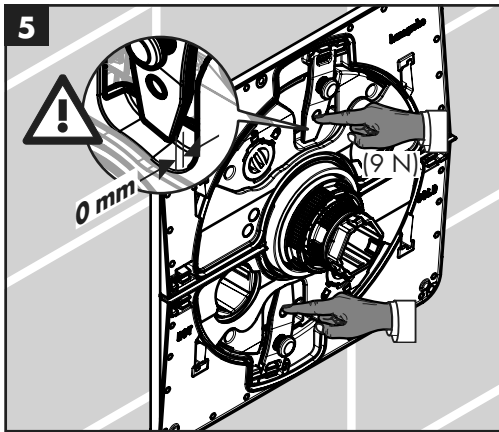
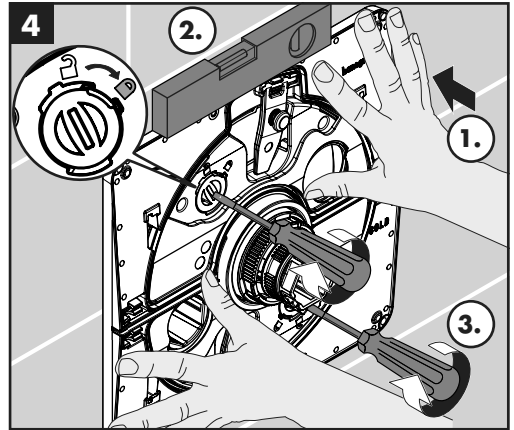
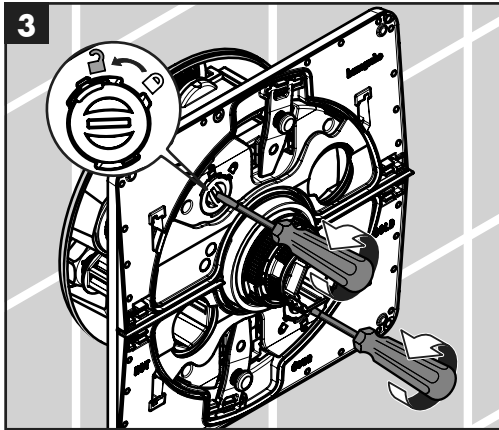
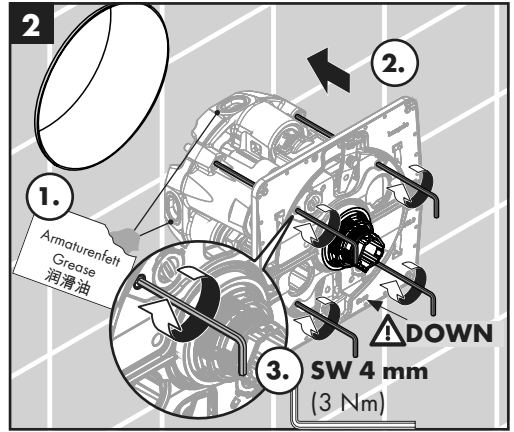
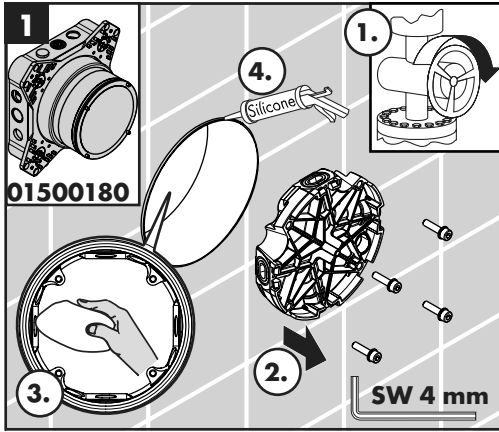
**Test certificate** (see page 66)



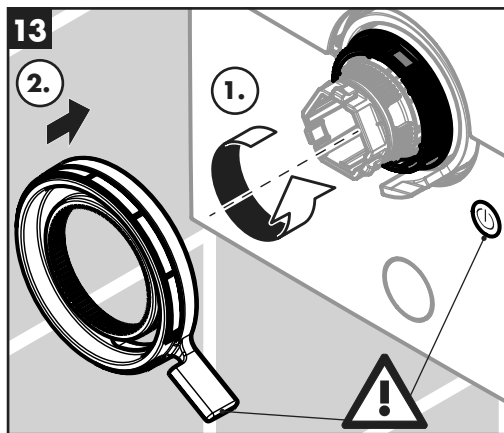
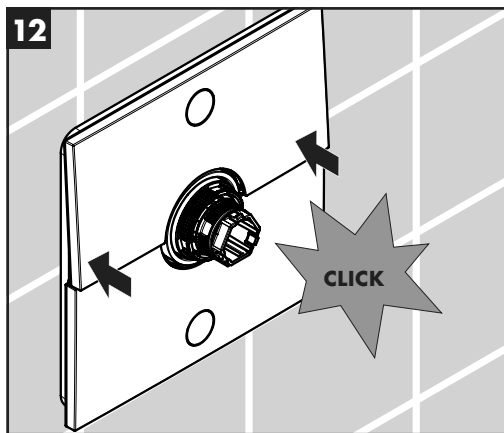
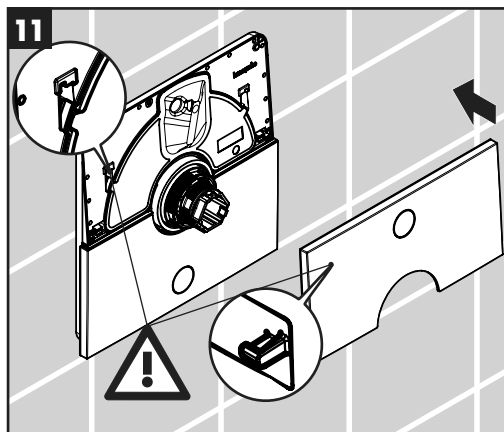
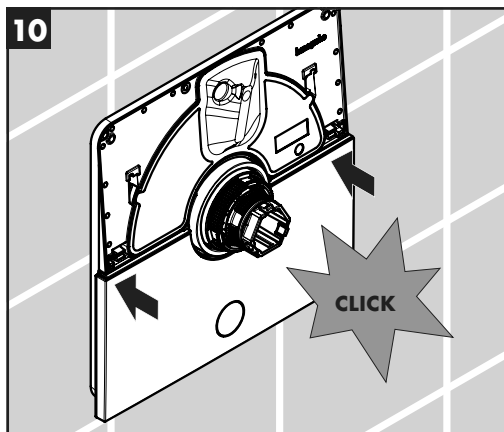
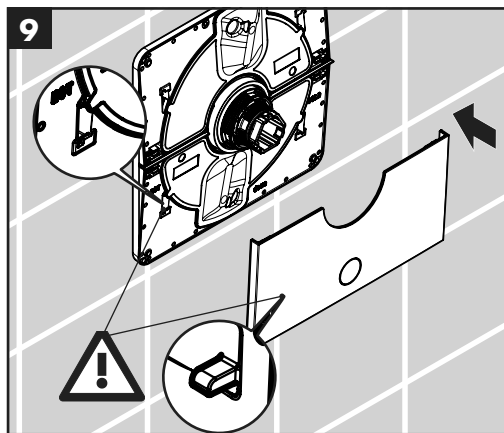
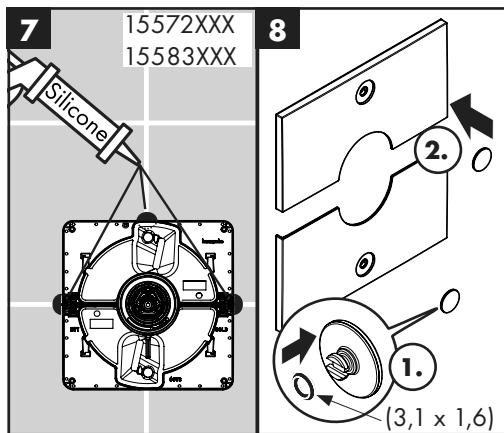
**Operation** (see page 75)

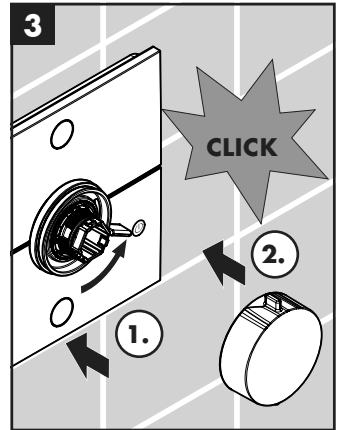
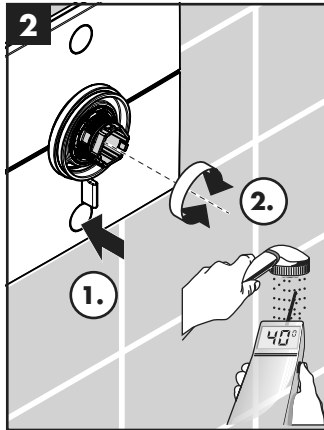
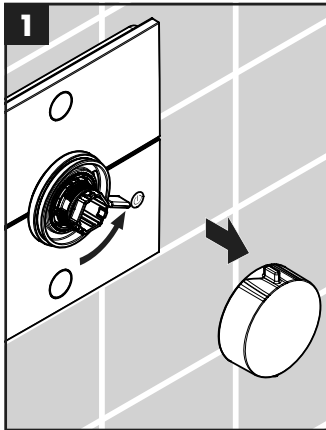
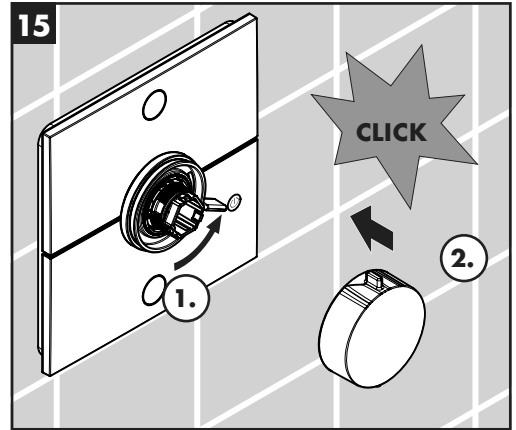
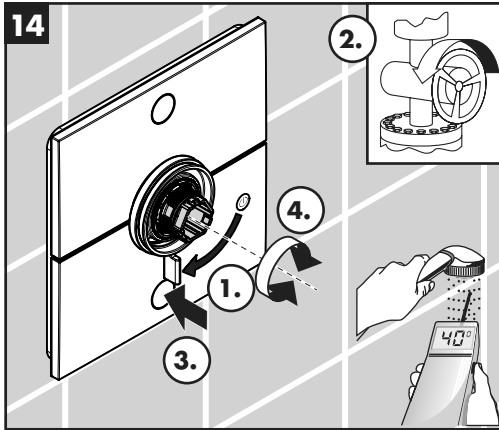


<b>Fault</b>	<b>Cause</b>	<b>Remedy</b>
Insufficient water	- Supply pressure inadequate	- Check water pressure (If a pump has been installed check to see if the pump is working).
	- Regulator filter dirty	- Clean filter in front of the mixer and on the MTC-thermo cartridge
	- Shower filter seal dirty	- Clean filter seal between shower and hose
	- Backflow preventer cartridge dirty / defective	- Clean backflow preventer cartridge, exchange if necessary
Crossflow, hot water being forced into cold water pipe, or vice versa, when mixer is closed	- Backflow preventer cartridge dirty / defective	- Clean backflow preventer cartridge, exchange if necessary
Spout temperature does not correspond with temperature set	- Thermostat has not been adjusted	- Adjust thermostat
	- Hot water temperature too low	- Increase hot water temperature to 42 °C to 60 °C
Temperature regulation not possible	- thermo cartridge calcified	- Exchange thermo cartridge
	- For new installations: basic body incorrectly connected (should be: cold right, hot left) or installed with 180° rotation	- Control unit for reversed connections #92373000
Safety stop button not operating	- Spring defective	- Clean spring or push button and grease lightly, replace handle if necessary.
	- Button calcified	
Valve stiff	- Select stop valve DN9 damaged	- Exchange Select stop valve DN9
Shower or spout dripping	- Select stop valve DN9 damaged	- Exchange Select stop valve DN9
Valve does not open / does not close	- Select telescope pushed too far together	- Pull the Select telescope apart again and readjust it
	- Lever with plunger broken	- Replace lever with plunger
Button is loose / stands at an angle	- Button not properly engaged	- Engage button
	- Retaining lugs on carrier plate broken off	- Replace carrier plate
Rosette is slanted	- Support plate is slanted	- Align carrier plate
Eco-function not possible	- Volume handle incorrectly mounted	- Mount volume handle again









P-IX

DVGW SINTEF NF



ETA

15554XXX P-IX 38570/IBB BQ0587

15572XXX P-IX 38570/IBB BQ0587

15583XXX P-IX 38570/IBB BQ0587

Hansgrohe SE

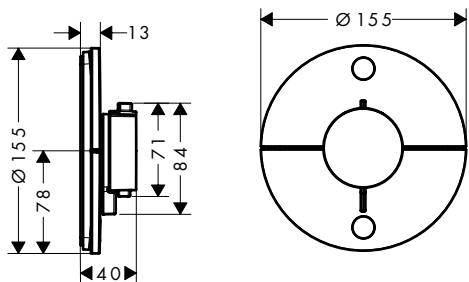
DIN 4109-1

P-IX 38570/IBB

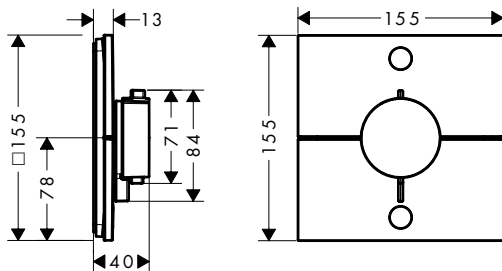




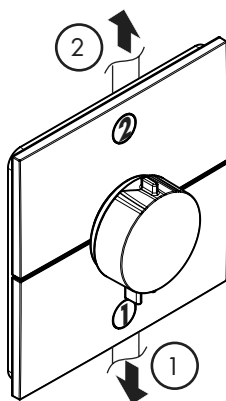
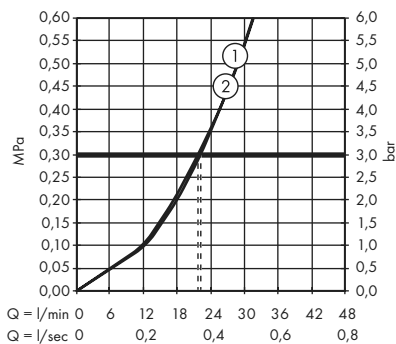
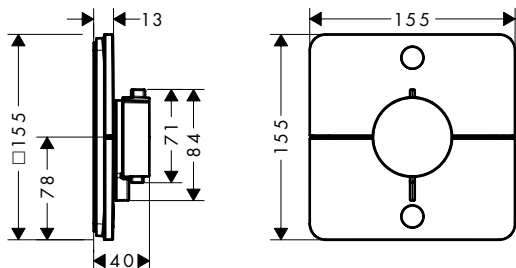
**ShowerSelect S**  
15554XXX

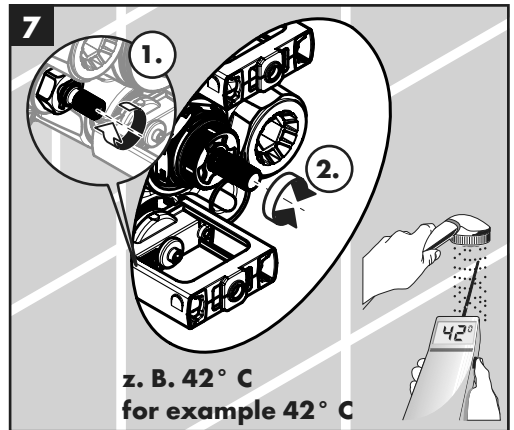
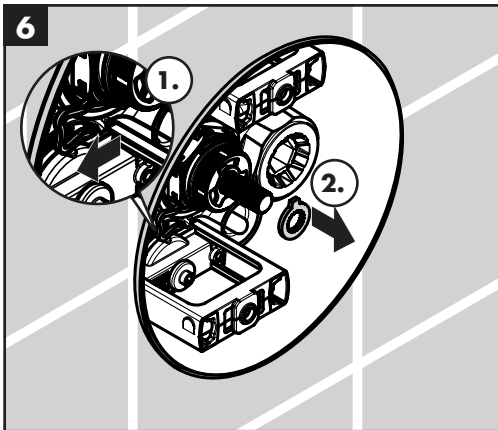
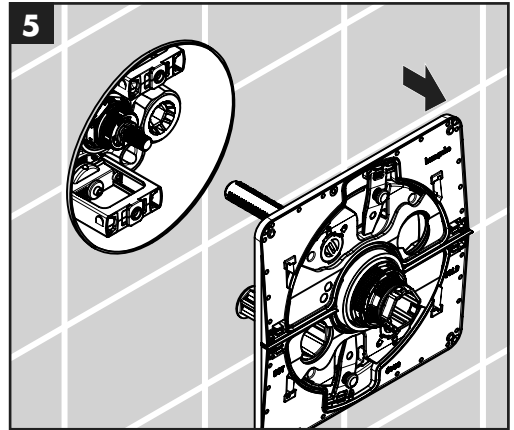
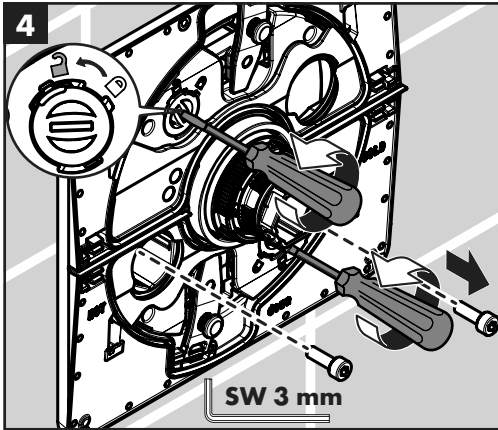
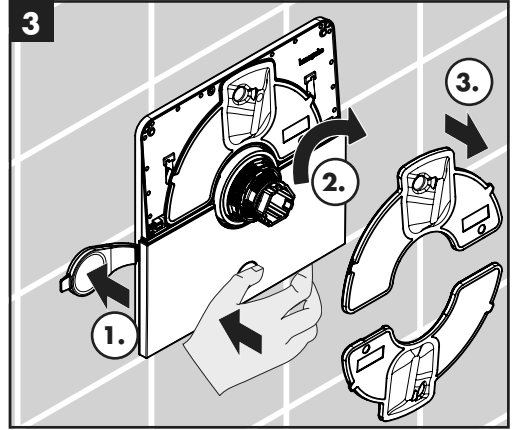
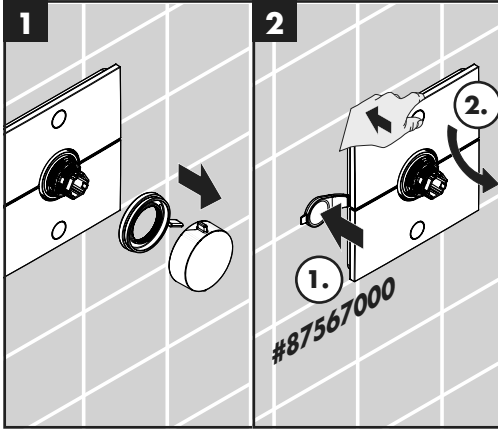


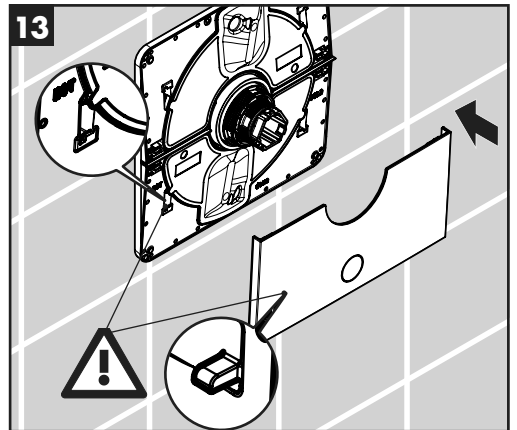
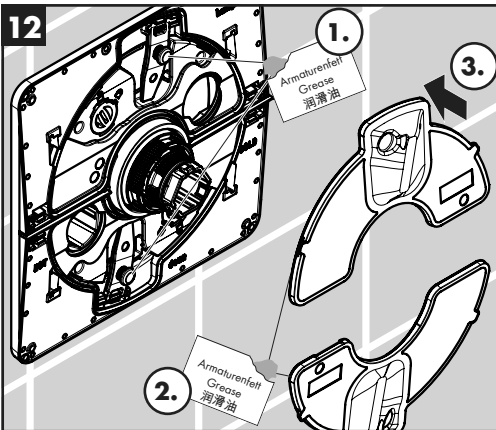
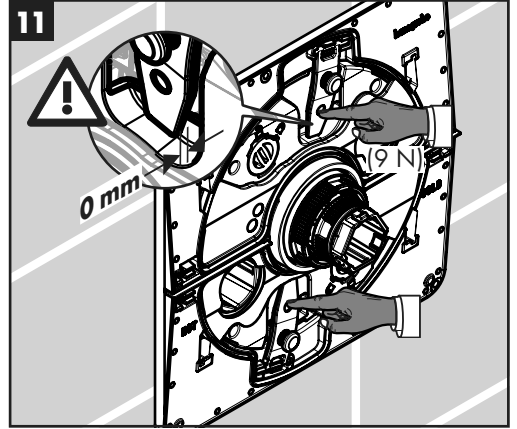
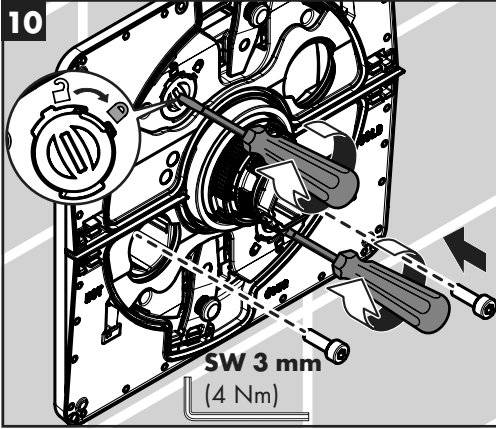
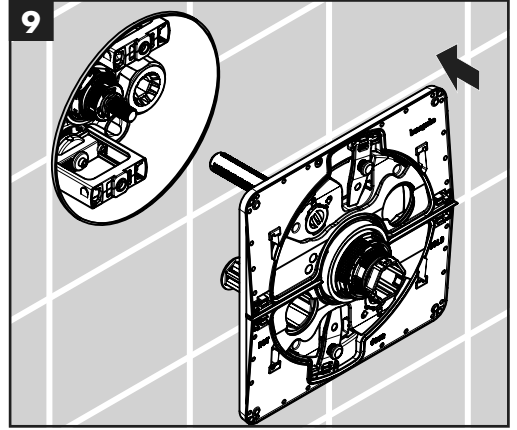
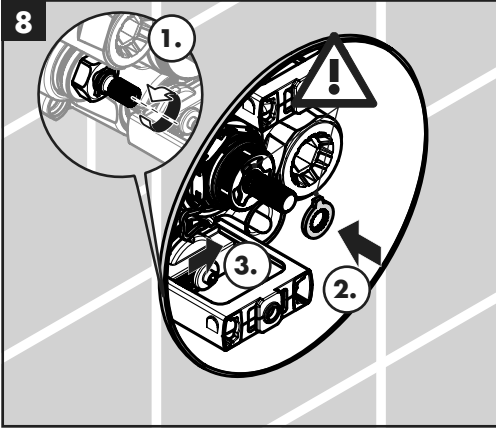
**ShowerSelect E**  
15572XXX

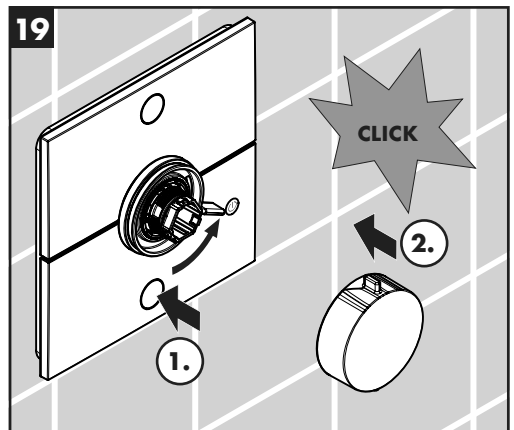
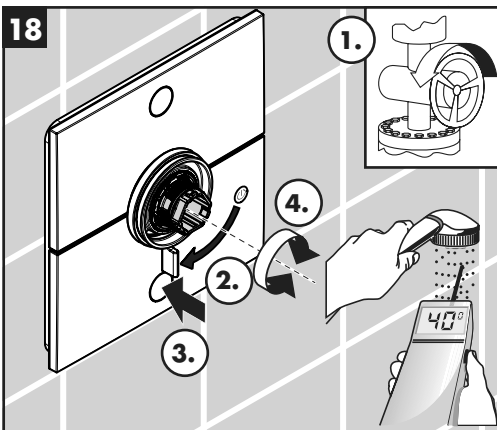
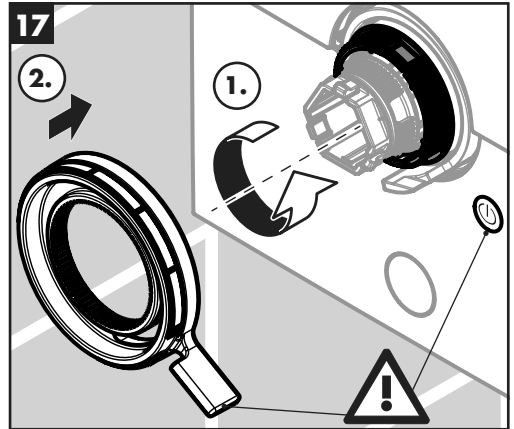
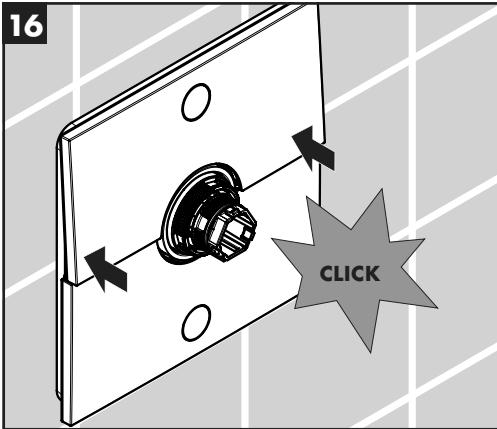
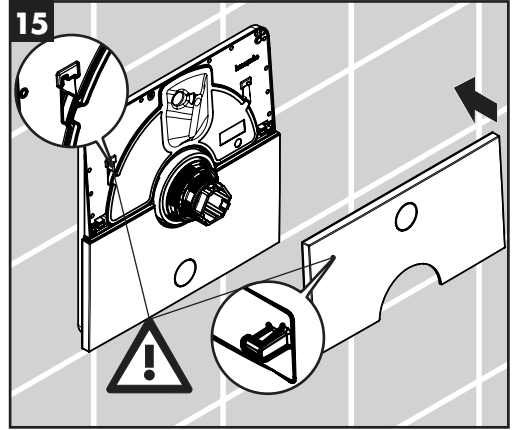
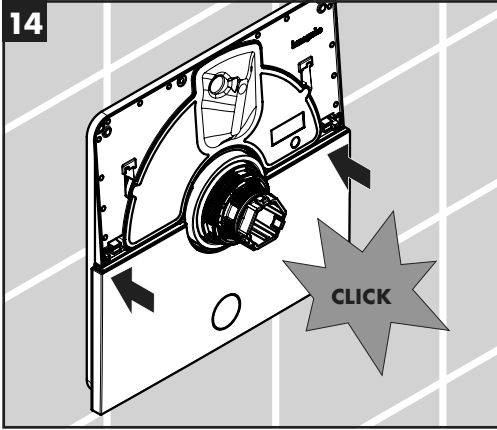


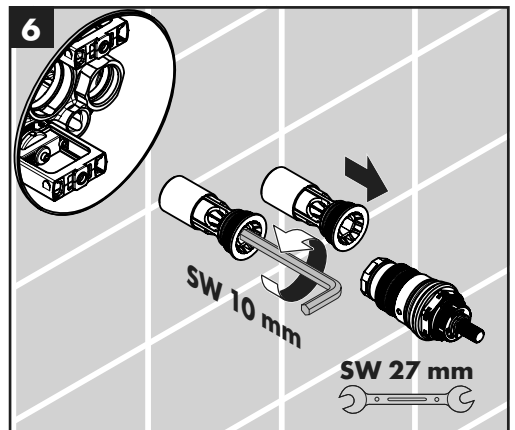
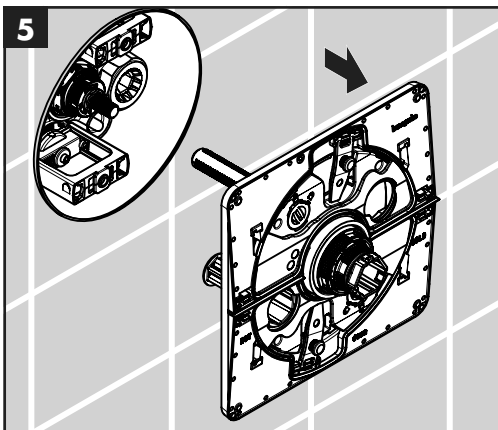
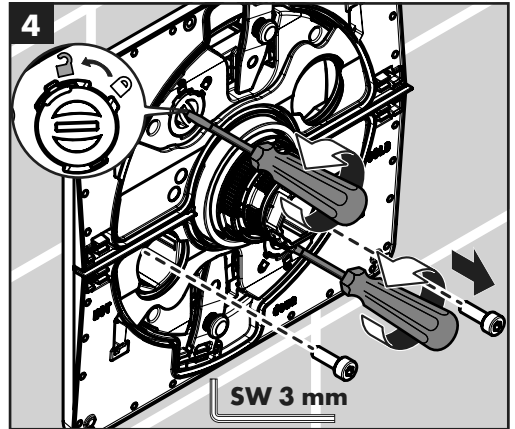
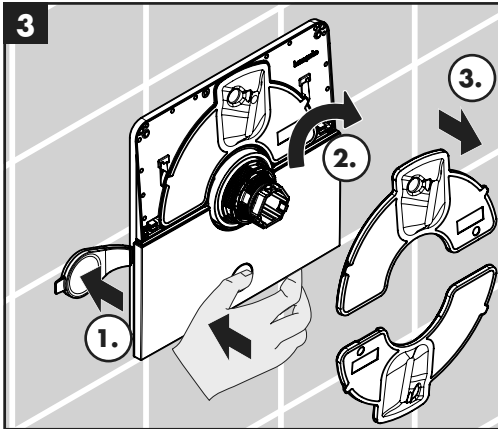
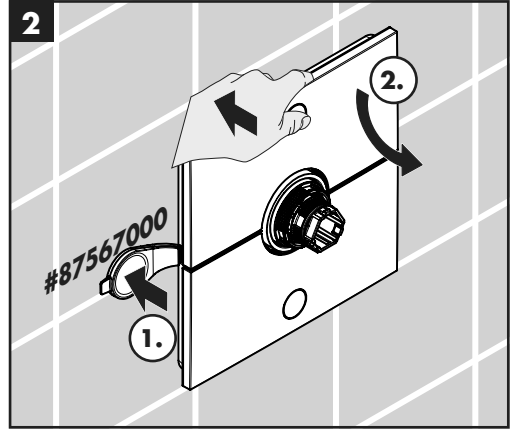
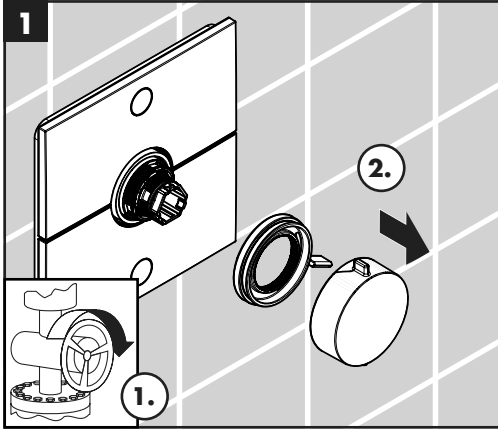
**ShowerSelect Q**  
15583XXX

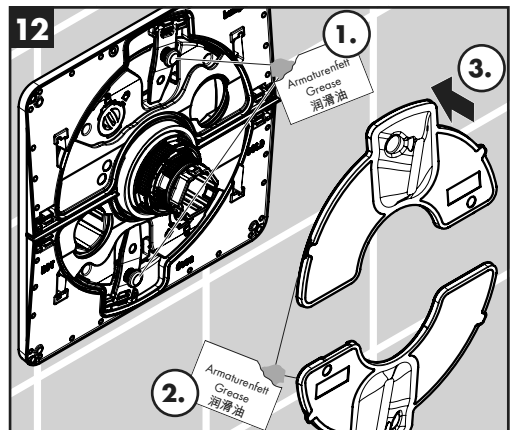
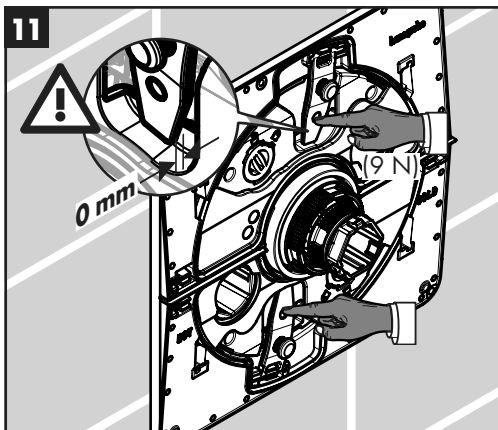
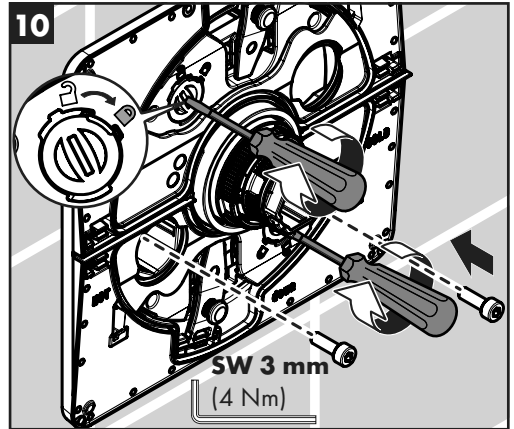
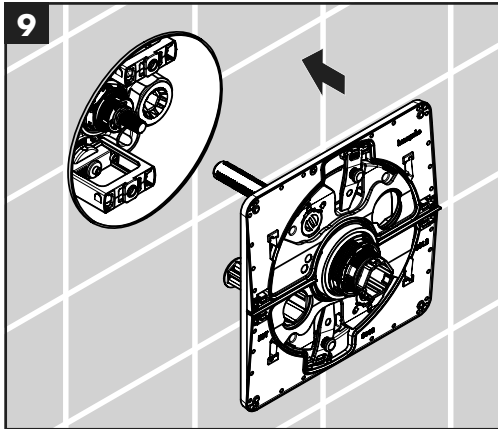
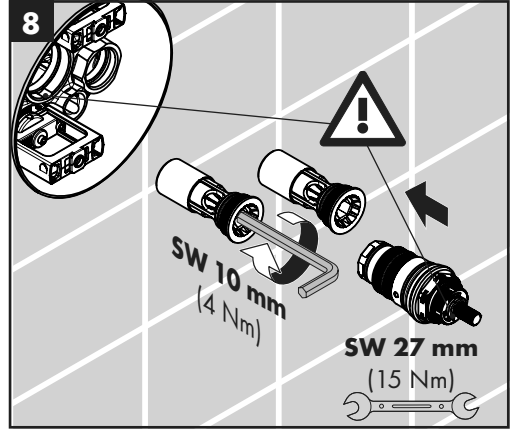
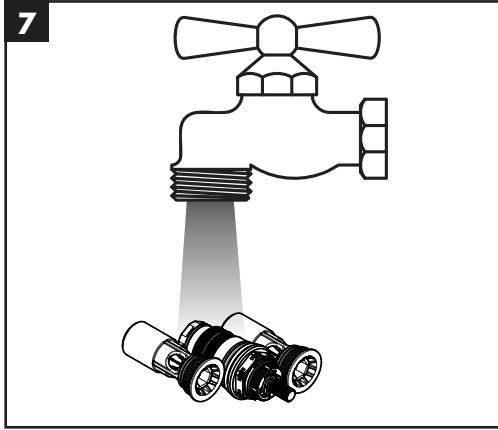




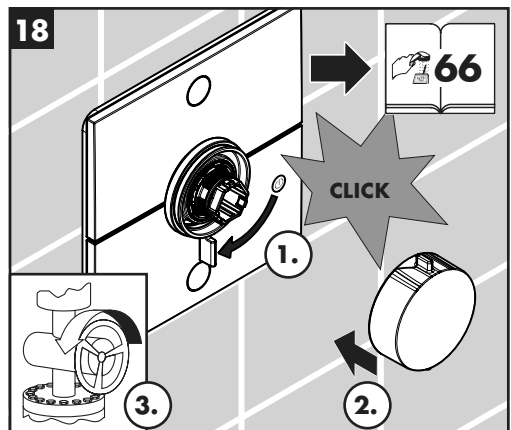
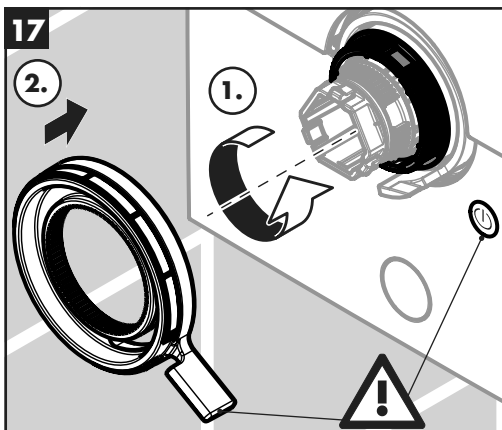
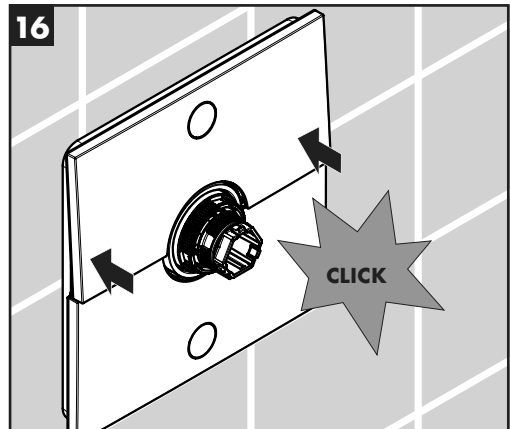
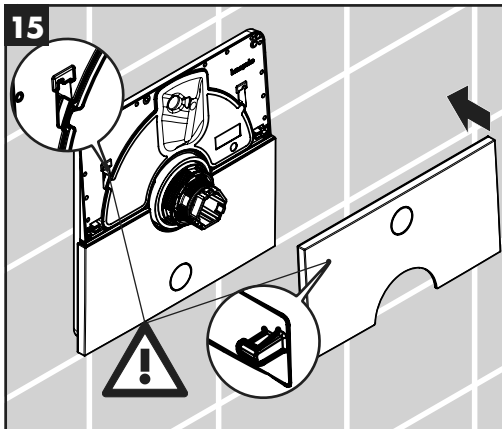
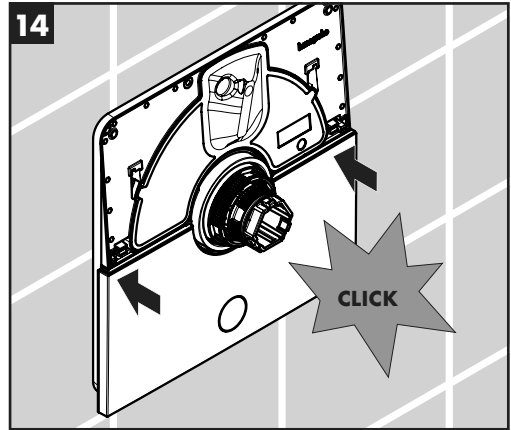
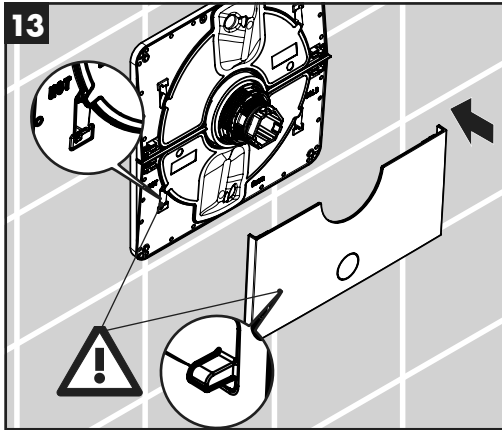








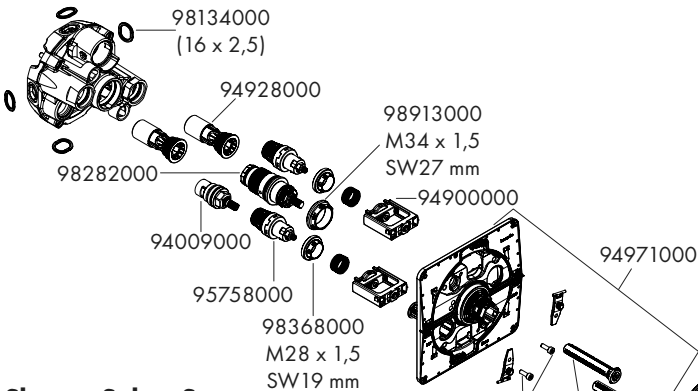






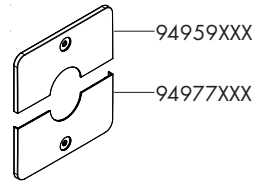
### ShowerSelect E

15572XXX



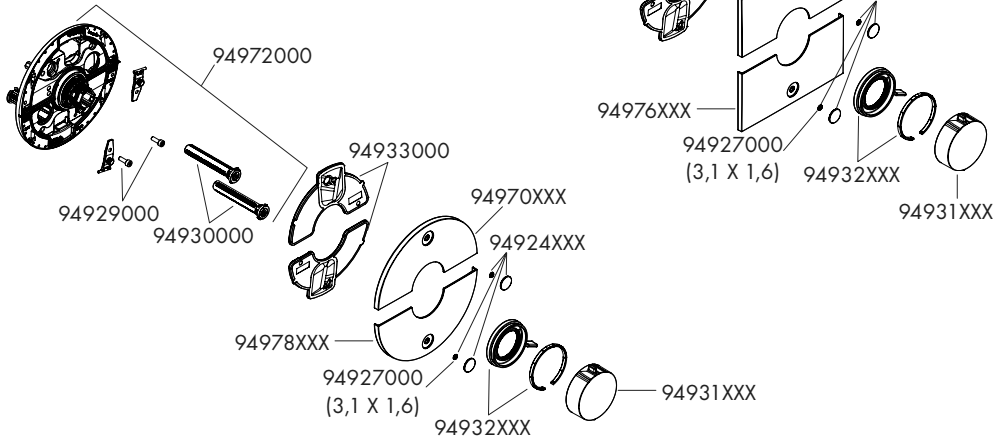
### ShowerSelect Q

15583XXX

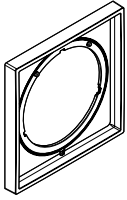


### ShowerSelect S

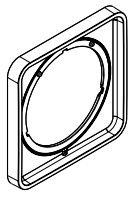
15554XXX



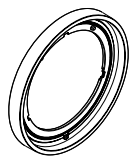
**5 mm**  
13612XXX



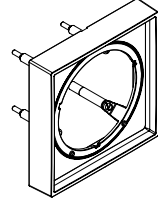
**5 mm**  
13613XXX



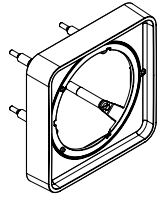
**5 mm**  
13614XXX



**22 mm**  
13617XXX

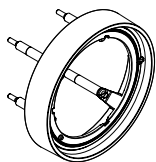


**22 mm**  
13618XXX

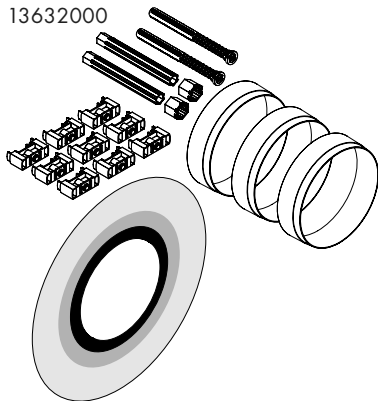




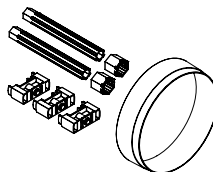
**22 mm**  
13624XXX



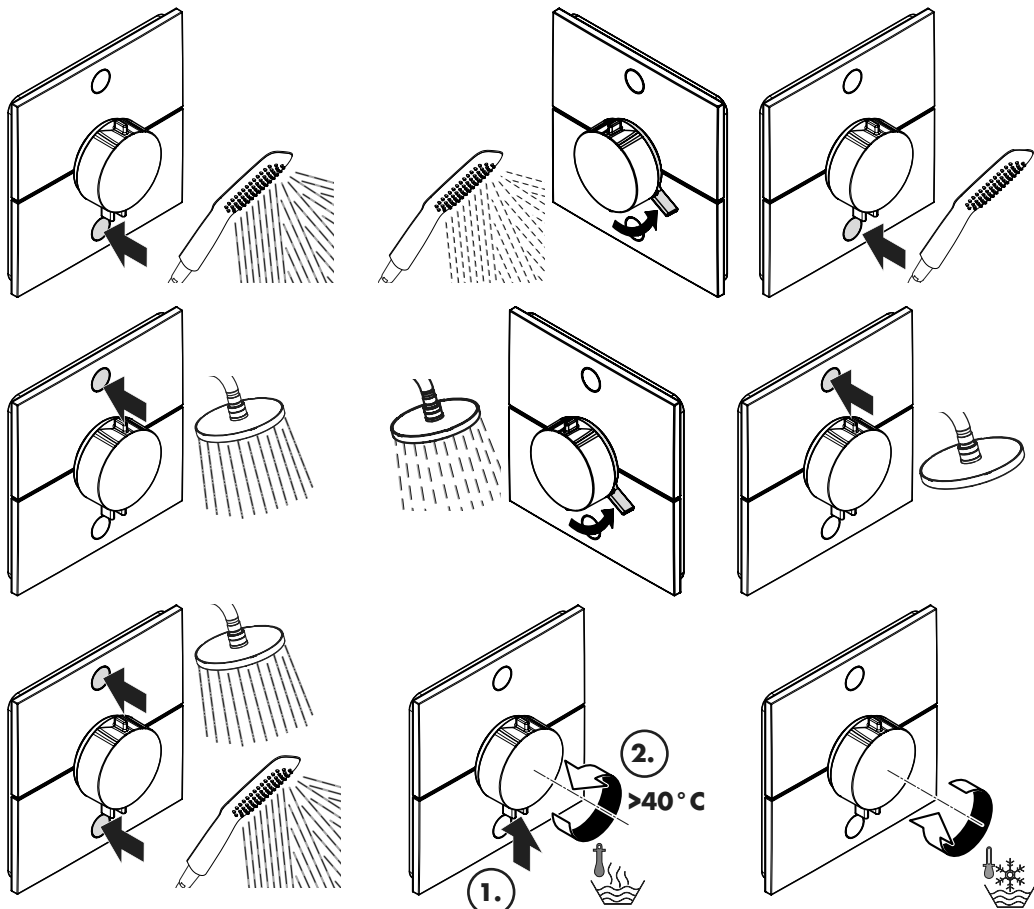
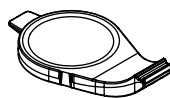
**25 - 75 mm**  
13632000



**25 mm**  
13638000

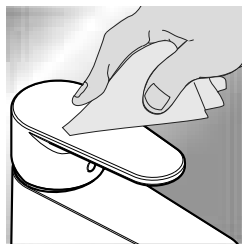


87567000



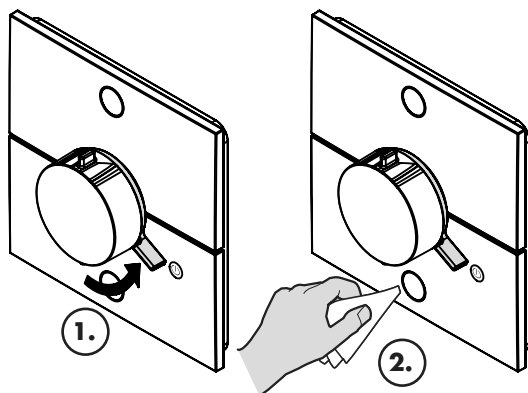


www.hansgrohe.com/cleaning-recommendation



- DE** Reinigungsempfehlung / Garantie / Kontakt
- FR** Recommandation pour le nettoyage / Garanties / Contact
- EN** Cleaning recommendation / Warranty / Contact
- IT** Raccomandazione di pulizia / Garanzia / Contatto
- ES** Recomendaciones para la limpieza / Garantía / Contacto
- NL** Aanbevelingen inzake reiniging / Garantie / Contact
- DK** Rengøringsvejledning / Garanti / Kontakt
- PT** Recomendações de limpeza / Garantia / Contacto
- PL** Zalecenie dotyczące pielęgnacji / Gwarancja / Kontakt
- CS** Doporučení k čištění / Záruka / Kontakt
- SK** Odporúčania pre čistenie / Záruka / Kontakt
- ZH** 清洁指南 / 担保 / 接触
- RU** Рекомендации по очистке / Гарантия / Контакты
- FI** Puhdistussuositus / Takuu / Kosketus

- SV** Rengöringsrekommendationer / Garanti / Contacto
- LT** Valymo rekomendacijos / Garantija / Kontaktai
- HR** Preporuke za čišćenje / Garancija / Kontakt
- RO** Recomandări pentru curățare / Garanție / Contact
- EL** Σύσταση καθαρισμού / Εγγύηση / επαφή
- SL** Priporočilo za čiščenje / Garancija / Kontakt
- ET** Puhastussoovitused / Garantii / Kontakt
- LV** Tīrīšanas ieteikumi / Garantija / Kontakti
- SR** Preporuke za čišćenje / Garancija / Kontakt
- NO** Anbefaling for rengjøring / Garanti / Kontakt
- BG** Препоръка за почистване / Гаранция / Контакт
- JP** お手入れの方法 / 保証について / ご連絡先
- UA** Рекомендації з чищення / Гарантія / контакт
- AR** توصيات التنظيف / الضمان / اتصال
- TR** Temizleme önerisi / Garanti / Temas
- HU** Tisztítási tanácsok / Garancia / érintkezés
- HE** המלצות לניקוי / אחריות / איש קשר



**hansgrohe**

Hansgrohe · Auestraße 5 · 9 · D-77761 Schiltach · Telefon +49 (0) 78 36/51-1282 · Telefax +49 (0) 7836/511440  
E-Mail: info@hansgrohe.com · Internet: www.hansgrohe.com