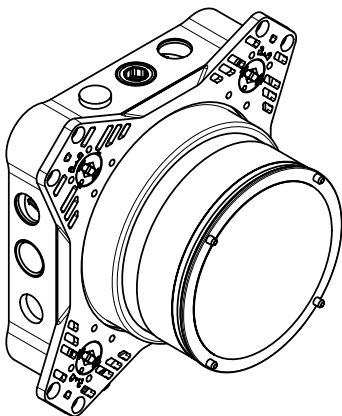


DE	Montageanleitung	2
FR	Instructions de montage	3
EN	Assembly instructions	4
IT	Istruzioni per Installazione	5
ES	Instrucciones de montaje	6
NL	Handleiding	7
DK	Monteringsvejledning	8
PT	Manual de Instalação	9
PL	Instrukcja montażu	10
CS	Montážní návod	11
SK	Montážny návod	12
ZH	组装说明	13
RU	Инструкция по монтажу	14
FI	Asennusohje	15
SV	Monteringsanvisning	16
LT	Montavimo instrukcijos	17
HR	Uputstva za instalaciju	18
RO	Instrucțiuni de montare	19
EL	Οδηγία συναρμολόγησης	20
SL	Navodila za montažo	21
ET	Raigaldusjuhend	22
LV	Montāžas instrukcija	23
SR	Uputstvo za montažu	24
NO	Montasjeveiledning	25
BG	Ръководство за монтаж	26
JP	施工説明書	27
UA	Інструкція по збірці	28
AR	تعليمات التجميع	29
TR	Montaj kılavuzu	30
HU	Szerelési útmutató	31
HE	הוראות הרכבה	32



iBox universal 2
01500180





Concealed installation

- Prior to installation, inspect the product for transport damages. After it has been installed, no transport or surface damage will be honoured.
- The rotation symmetrical body is horizontal and vertical usable. Only exception installing the bath-shower mixer with integrated safety combination. In this case only a vertically installation is possible. Install the iBox always above the bath-tup. If parts of the iBox will broken, the water can flow in there!
- The iBox is suitable for both bath and shower applications. When using the bath-shower mixer / thermostatic mixer with shut off and diverter unit outlet, the lower outlet must have priority. For shower applications, plug the unused outlet with a plug.
- The hot and cold supplies must be of equal pressures.
- Install body with the hot water supply left and cold water supply right.
- Depth of fitting: 80 mm to 108 mm.
- extension (see page 58)

The basic set can depending on the building application be mounted in different ways, Installation examples please see page 52 - 53.

- A** Direct wall installation.
- B** Direct wall installation with 10 mm adjustable mounting studs.
- C** Installation on carrier system.
- D** Brick wall installation.
- E** Installation with fixation set

Installation examples with measurements and pipe dimensions can be found starting on page 34.

The installation dimensions stated in these installation instructions are ideal for people of approximately 1800 mm in body height. The dimensions can be altered if required. In this case, pay attention to the fact that a change of installation height will also change the minimum height, and that the altered mounting dimensions must be taken into consideration.

Installation tip

- To install the supply pipes, fix the iBox with a pipe in a vice. (see page 50)
- The spirit level in the iBox is used for rough alignment, a water scale must be used for precise alignment. (see page 51)

- Make sure that the sliding sleeve is in the correct position during assembly. (see page 54)

Flush piping system (see page 57)

To complete the installation flush out both hot and cold water supply. The arrows on the flush body show which inlet is connected to which outlet pipe, e.g. cold water to the upper outlet and hot water to the lower outlet. If only one outlet is required, the flush body must be turned 90° after the first flush.

iBox in combination with an Exafill bath filler with overflow and waste (see page 56)

Technical Data

Operating pressure:	max. 1 MPa
Recommended operating pressure:	0,1 - 0,5 MPa
Test pressure:	1,6 MPa
	(1 MPa = 10 bar = 147 PSI)
Hot water temperature:	max. 60°C
Centre distance:	R ^{1/2}
Connections:	cold right - hot left
Rate of flow by 0,3 MPa:	
Shower mixer:	29 l/min
Thermostatic mixer:	33 l/min
Thermostatic mixer with shut off unit:	22 l/min
Thermostatic mixer HighFlow (Outlet 1 + 2):	33 l/min
Bath-shower mixer:	31 l/min // 24 l/min
Bath-shower mixer with integrated safety combination:	25 l/min // 24 l/min

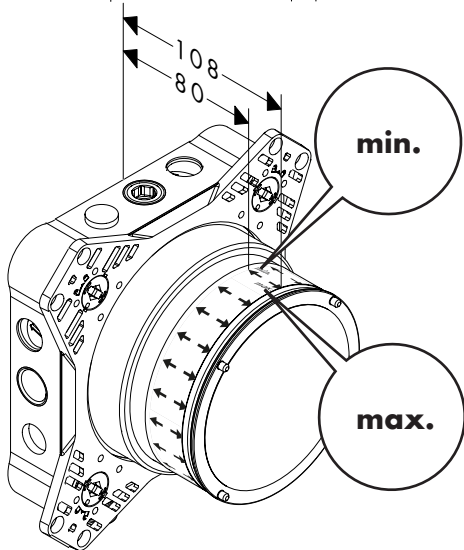
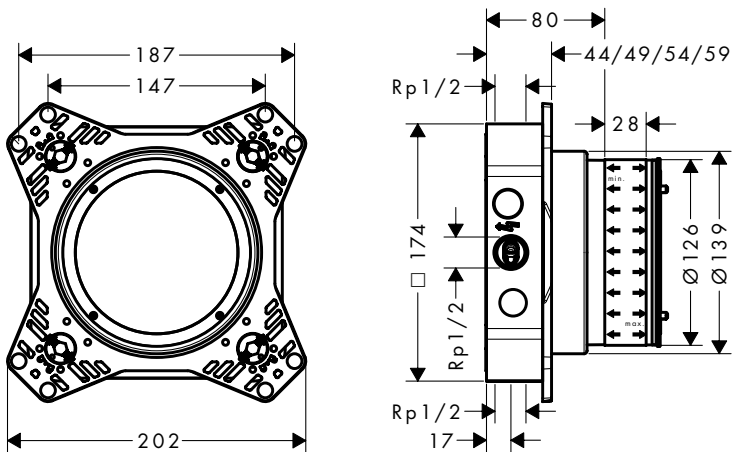
Symbol description



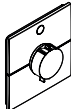
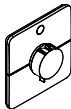

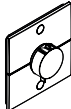
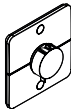

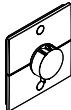
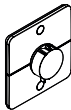
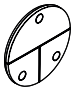
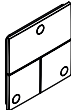
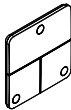

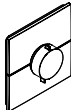
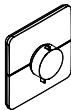

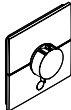
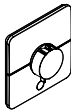



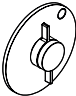
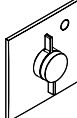
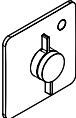
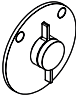
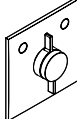
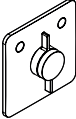


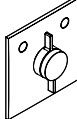

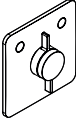

Only one function is possible.

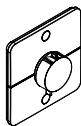


If the iBox is soldered, sufficient distance to the housing must be maintained.

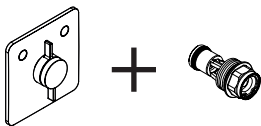


ShowerSelect Comfort	S	E	Q	
1 function	 15553XXX	 15571XXX	 15581XXX	38
2 functions	 15554XXX	 15572XXX	 15583XXX	40
2 functions (security combination / EN1717)	 15556XXX	 15578XXX	 15586XXX	36
3 functions	 15558XXX	 15573XXX	 15587XXX	44,46
HighFlow	 15559XXX	 15574XXX	 15588XXX	44
HighFlow additional function	 15562XXX	 15575XXX	 15589XXX	46

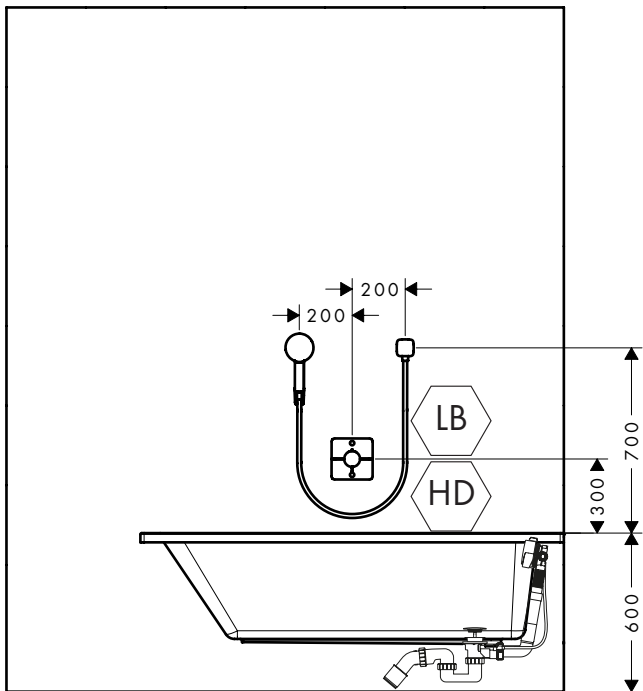
DuoTurn	S	E	Q	
1 function	 75618XXX	 75617XXX	 75614XXX	38
2 functions	 75418XXX	 75417XXX	 75414XXX	42
2 functions (security combination / EN1717)	 75418XXX + 13077000 	 75417XX + 13077000 	 75414XXX + 13077000 	36

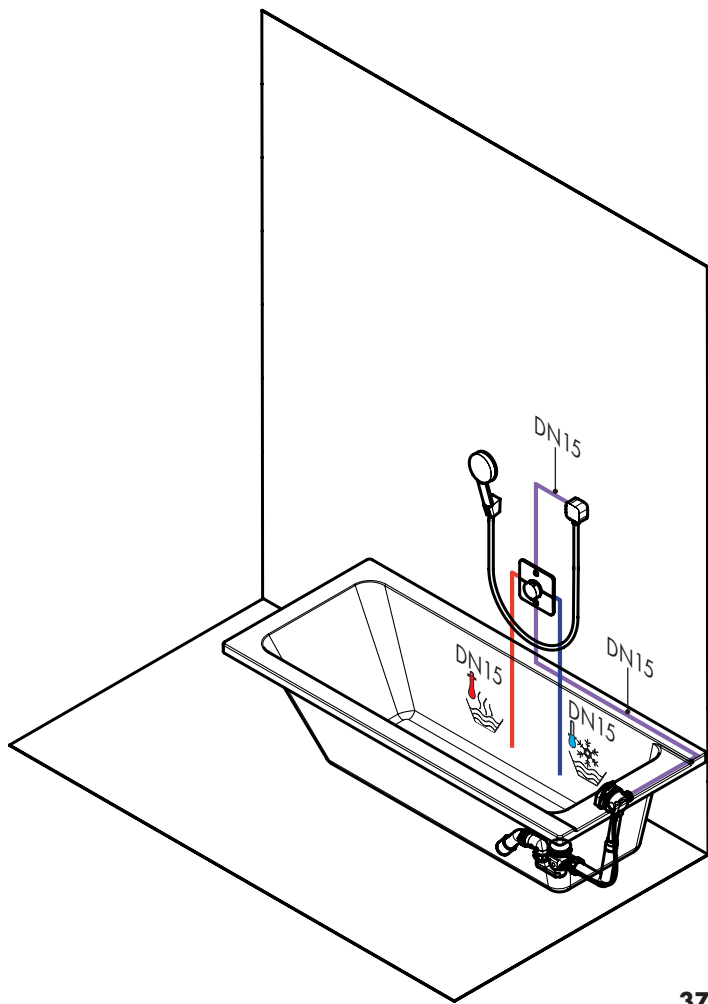


ShowerSelect Comfort Q
2 functions (security combination /
DVGW)
15586XXX



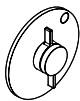
DuoTurn Q
2 functions (security combination /
DVGW)
75414XXX + 13077000



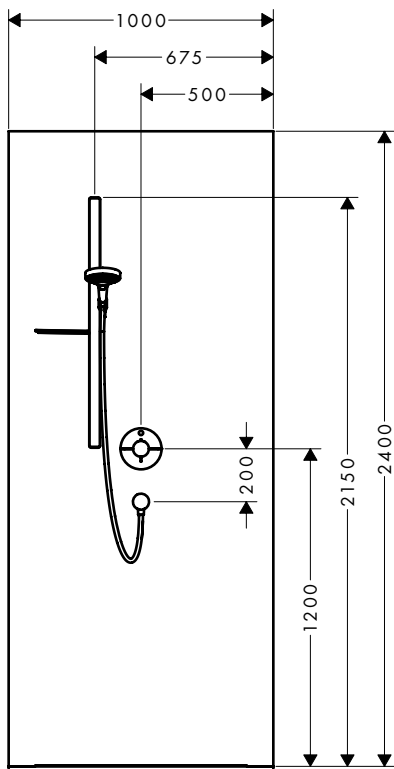


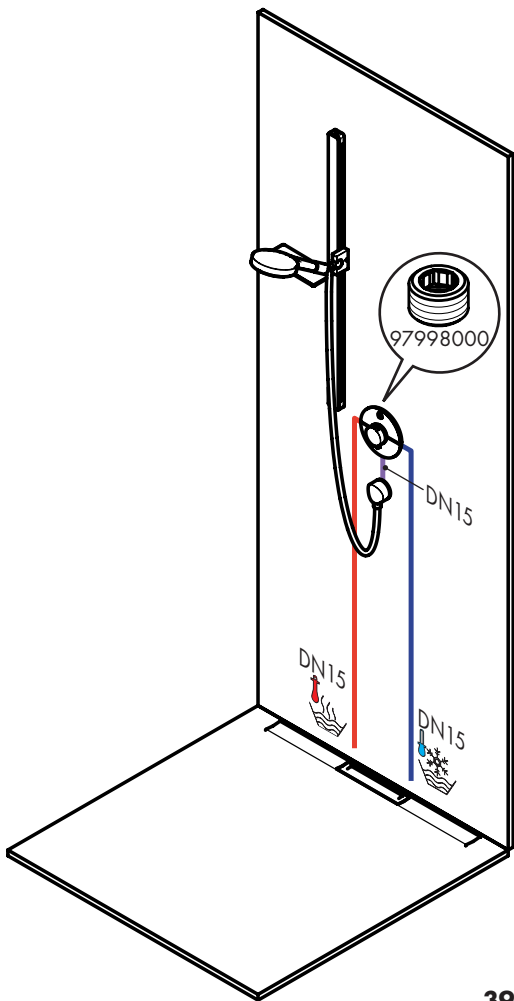


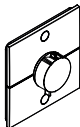
ShowerSelect Comfort S
1 function
15553XXX



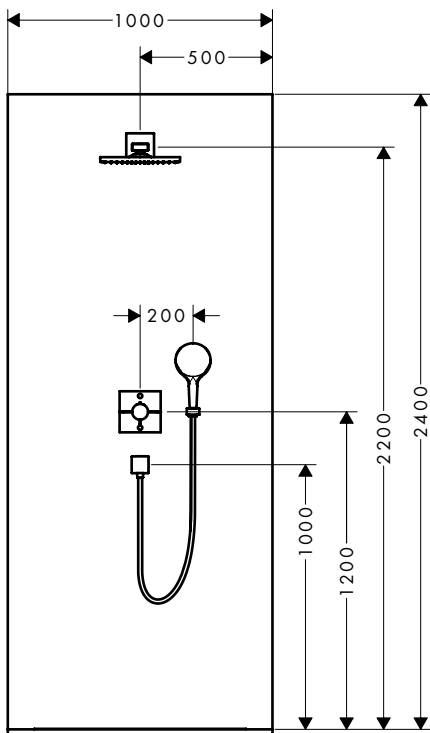
DuoTurn S
1 function
75618XXX

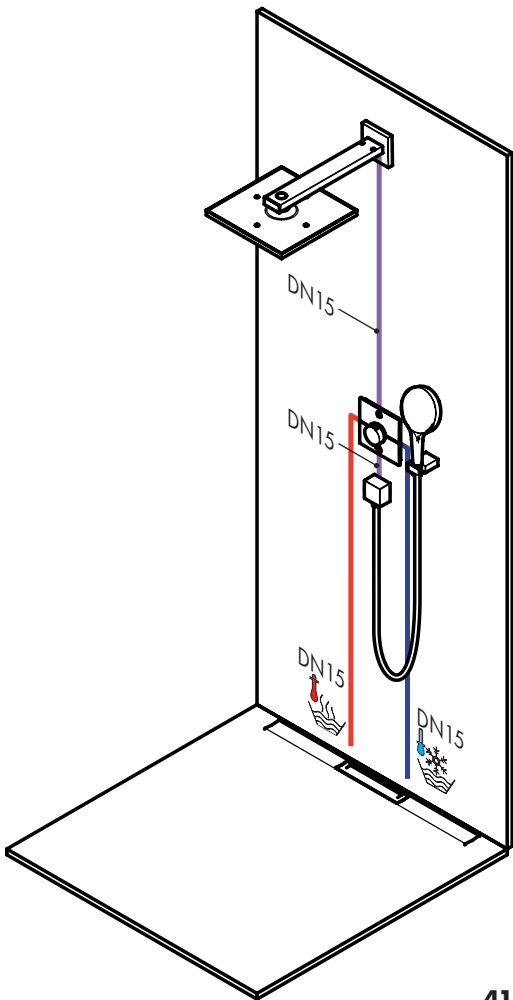






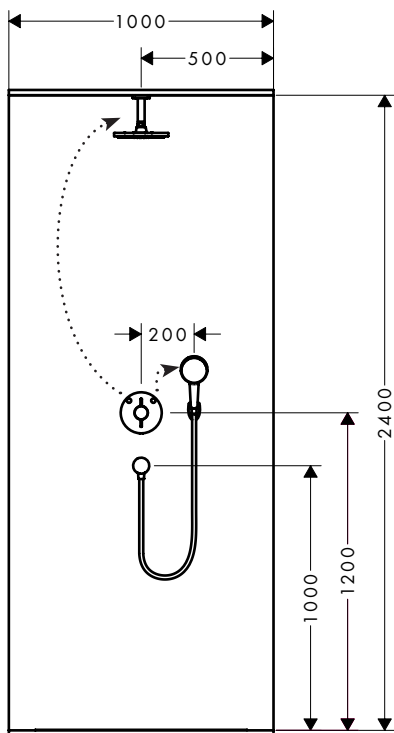
ShowerSelect Comfort E
2 functions
15572XXX

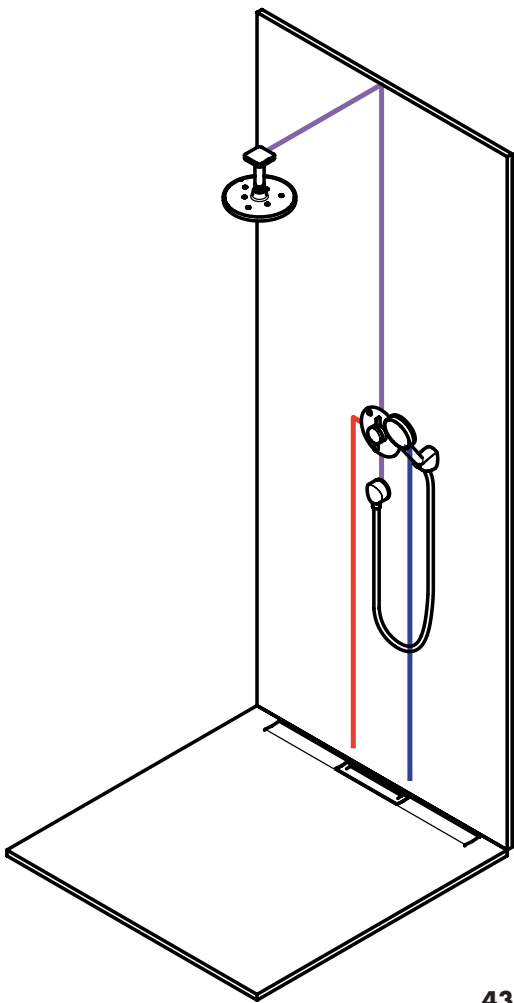


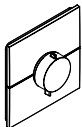




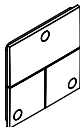
DuoTurn E
2 functions
75418XXX



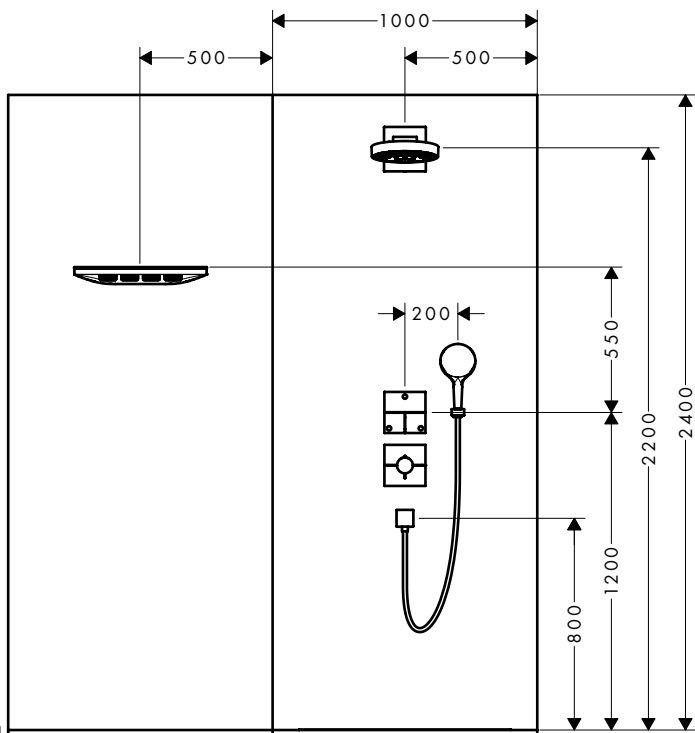


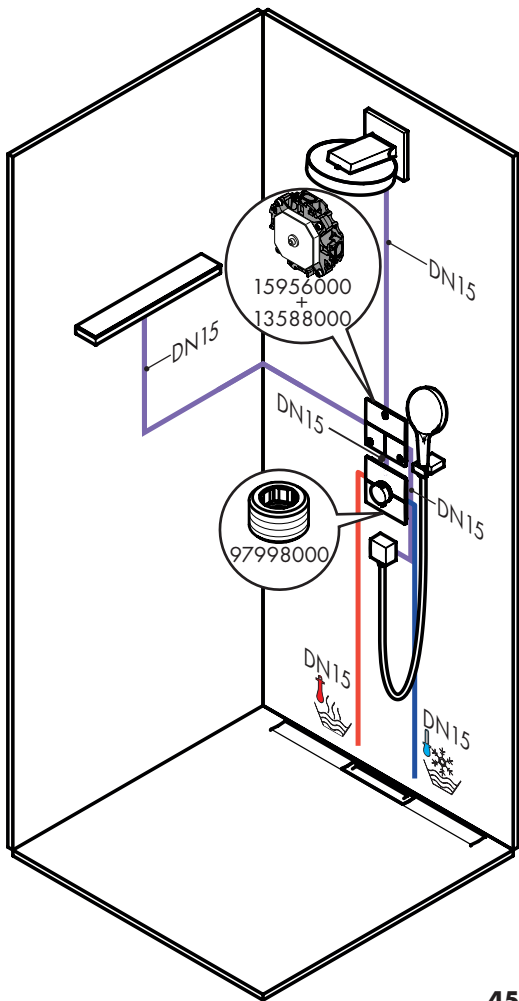


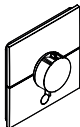
**ShowerSelect Comfort E
HighFlow**
15574XXX



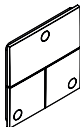
**ShowerSelect Comfort E
3 functions**
15573XXX



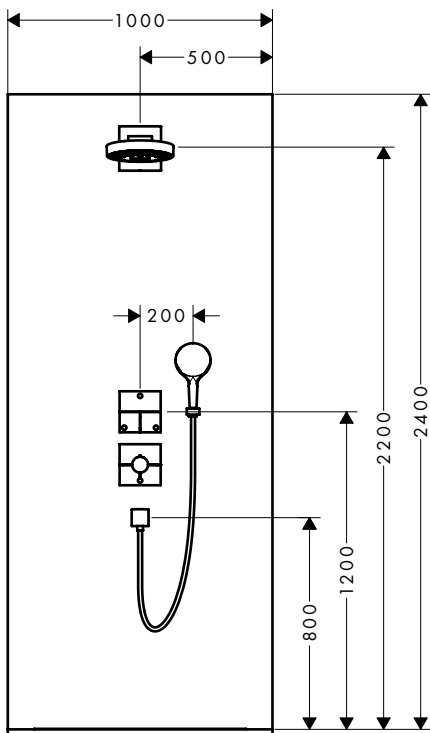


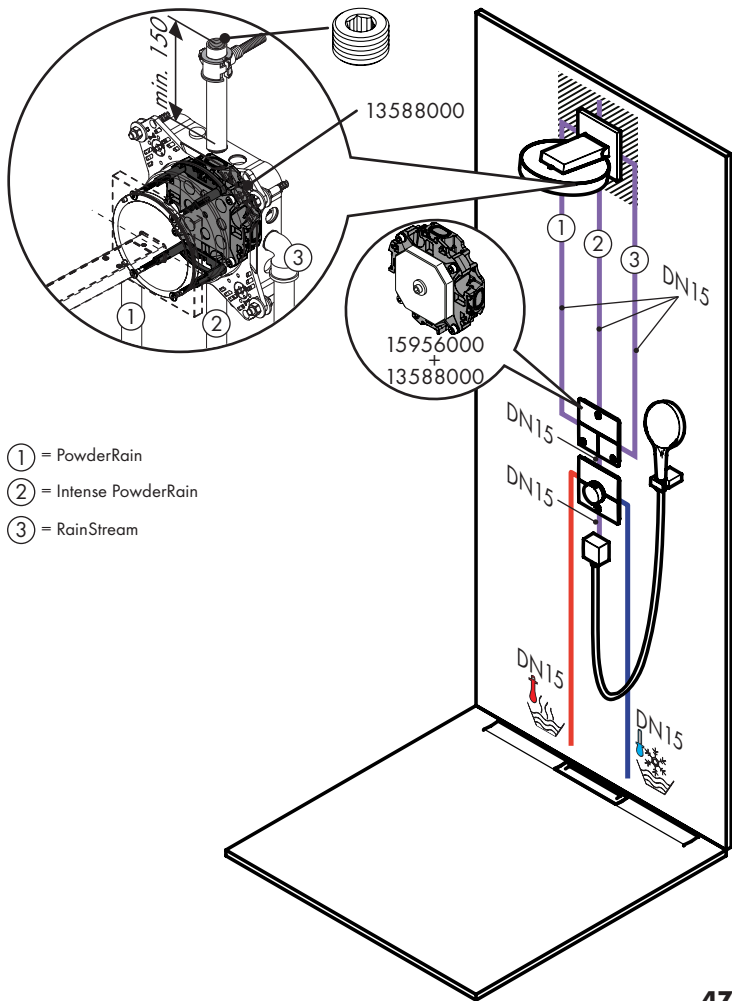


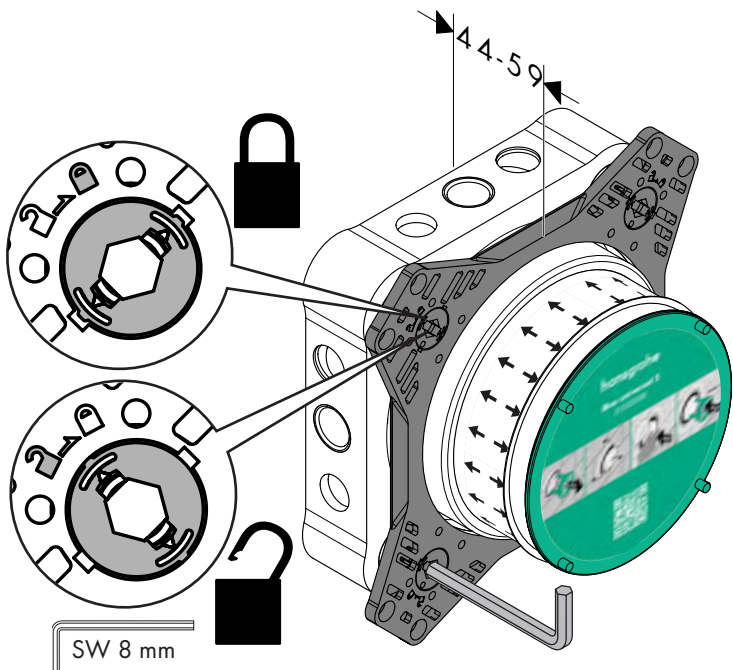
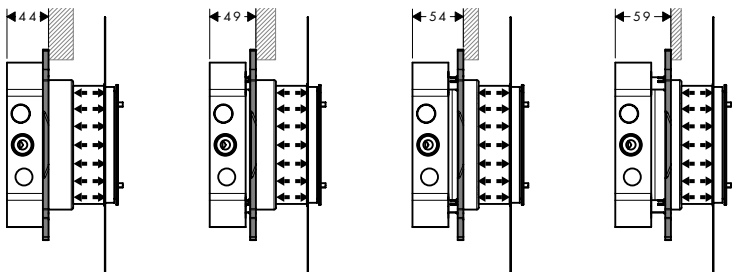
ShowerSelect Comfort E
HighFlow additional function
15575XXX

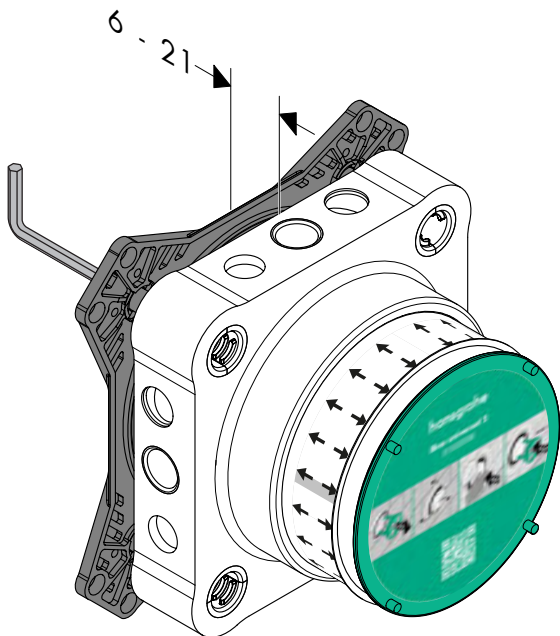
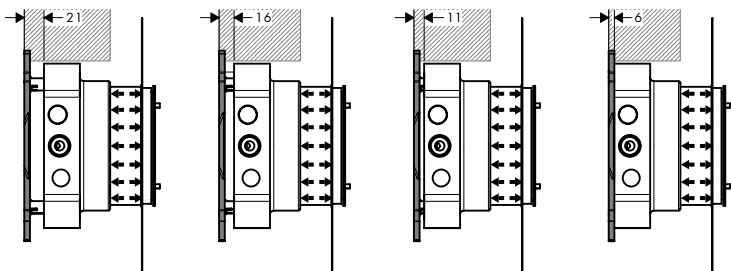


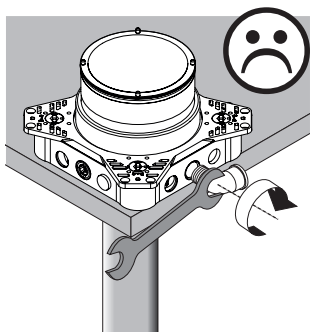
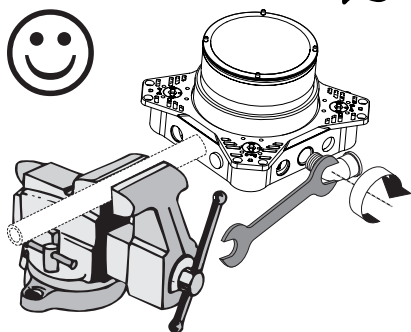
ShowerSelect Comfort E
3 functions
15573XXX

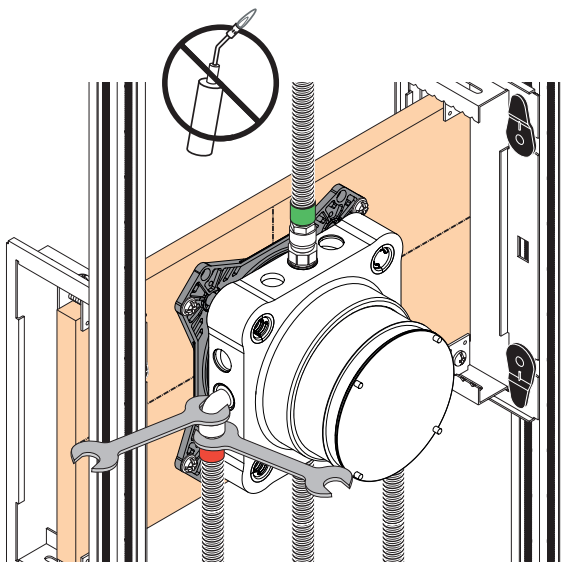
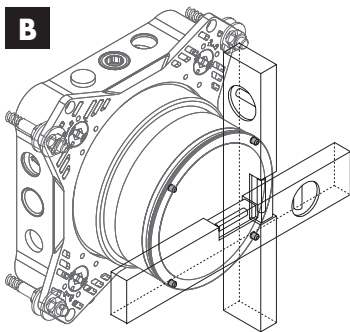
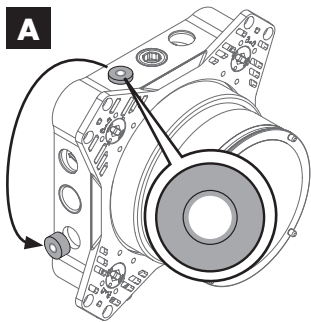


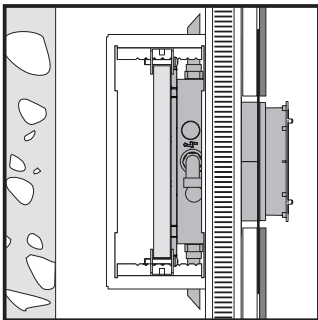
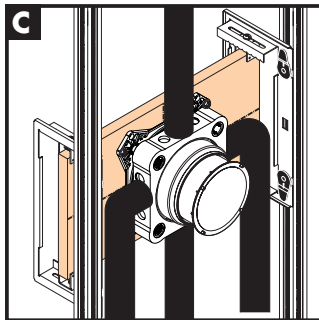
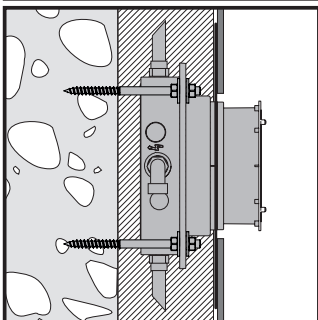
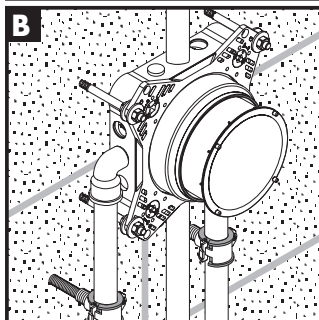
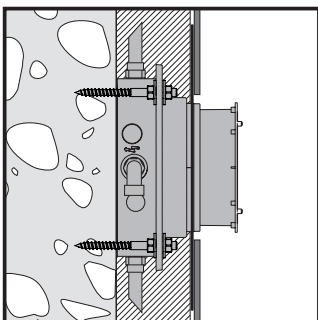
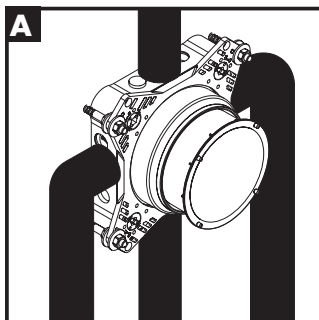


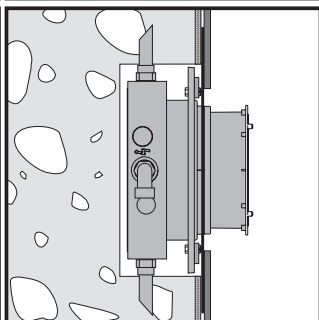
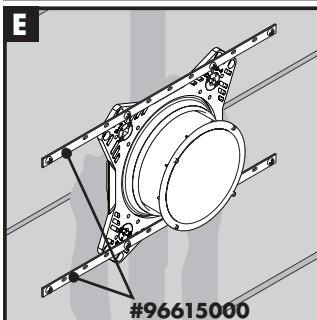
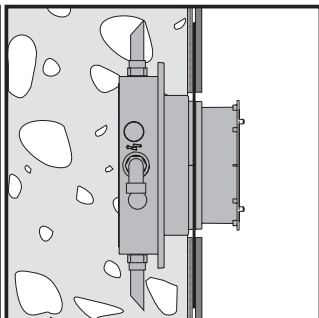
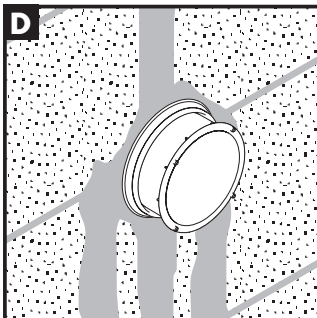


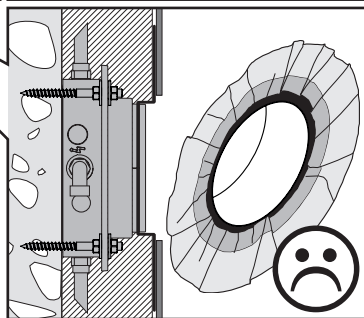
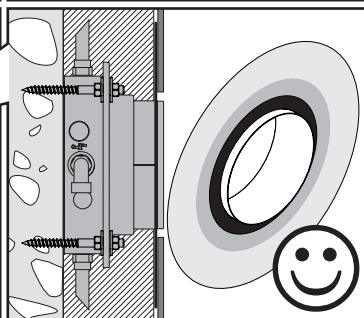
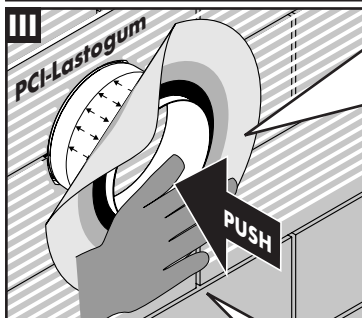
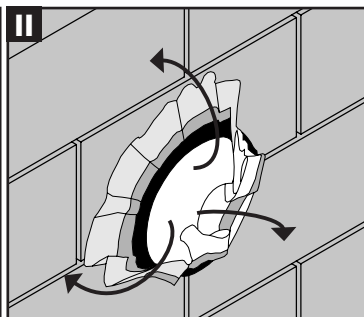
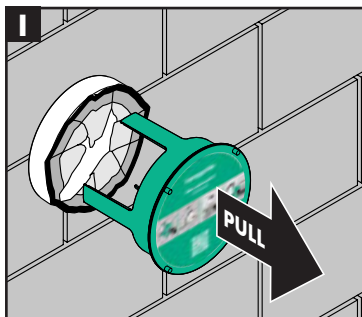


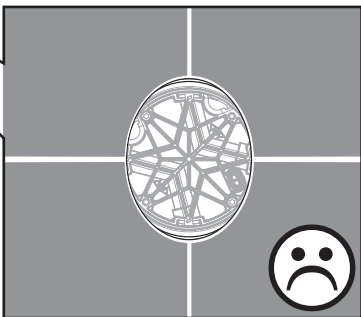
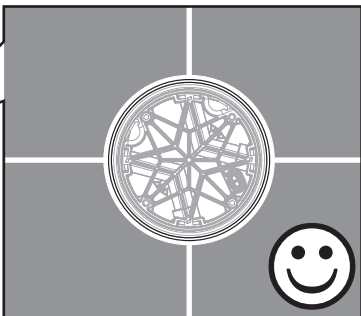
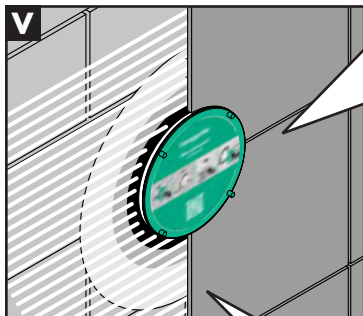
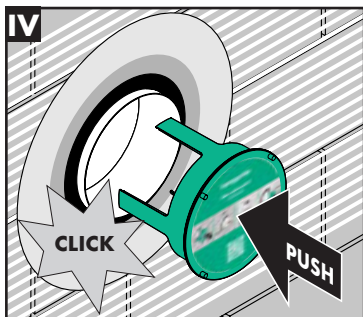




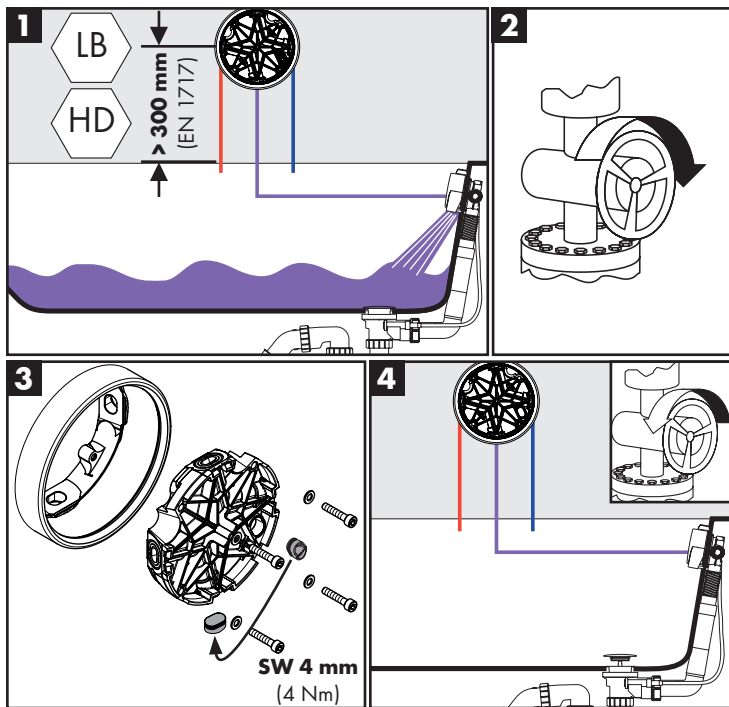
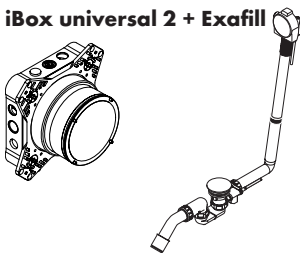


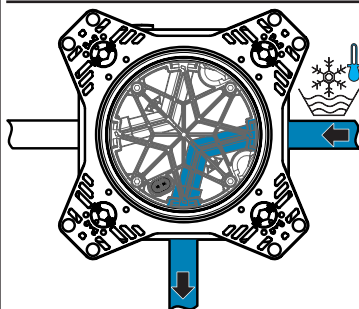
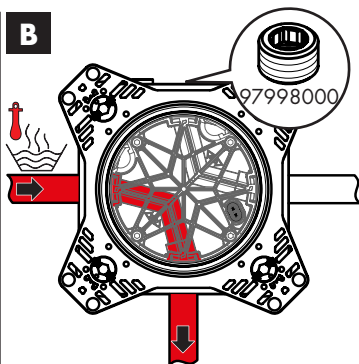
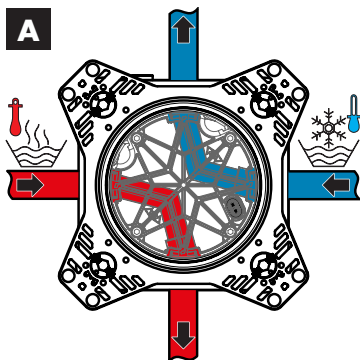




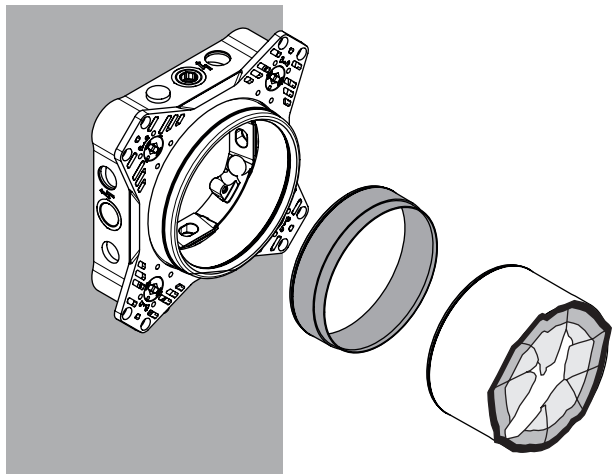
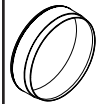


iBox universal 2 + Exafill

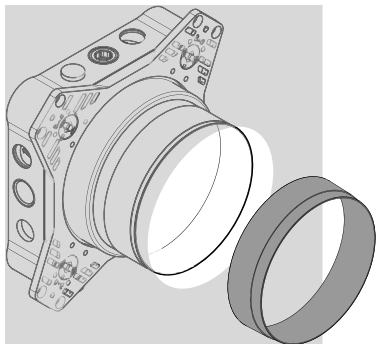
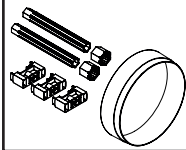




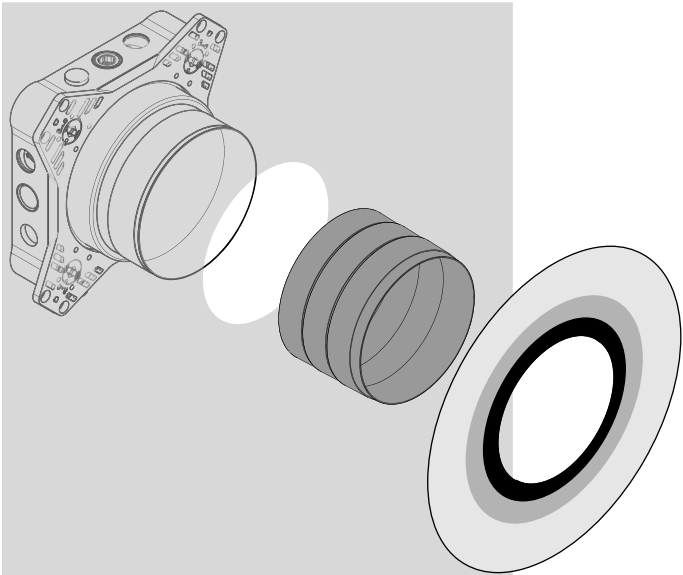
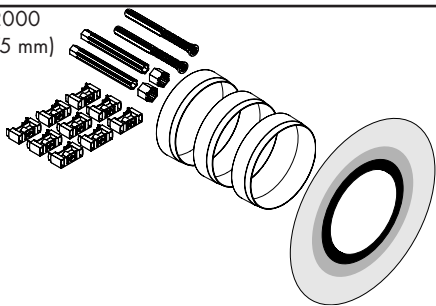
13637000
(25 mm)

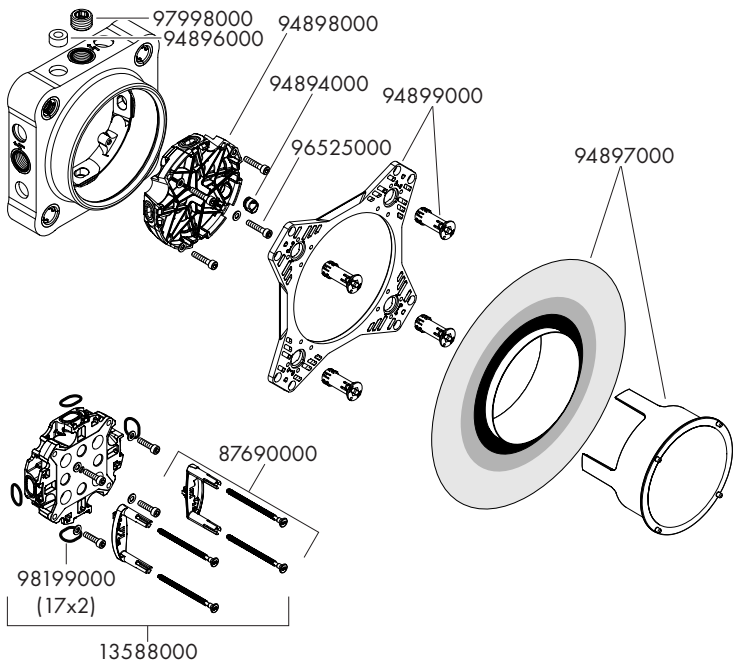


13638000
(25 mm)



13632000
(25 - 75 mm)





01500180

1877

hansgrohe

Hansgrohe · Auestraße 5 · 9 · D-77761 Schiltach
 Telefon +49 (0) 78 36/51-1282 · Telefax +49 (0) 7836/511440
 E-Mail: info@hansgrohe.com · Internet: www.hansgrohe.com

2/2024
 9.07455.01