

Technical Data Information

Information:

Construction

Finishes

Product Type

Water Pressure

Plumbing Systems

Standards

Certification

Cartridge

Fitting

Packaging

Guarantee

Additional Information

Sorento Round Shower with Rigid Riser

Brass Body (CuZn38Pb18)

Black Matt

Contemporary

Min. 0.5 bar, Max. 6.0 bar

Suitable for all plumbing systems, preferably balanced. Min. supply pressure differential requirement is 5:1

Complies with BSEN 1111

Manufactured to comply with WRAS, TMV2

Thermostatic

Easy fit

81.5 x 39.5 x 34cm / carton (4 boxes / carton)

10 years against manufacturing faults (excluding serviceable parts).

1. Temperature: Pre-set 38°C, with push button override to 48°C.

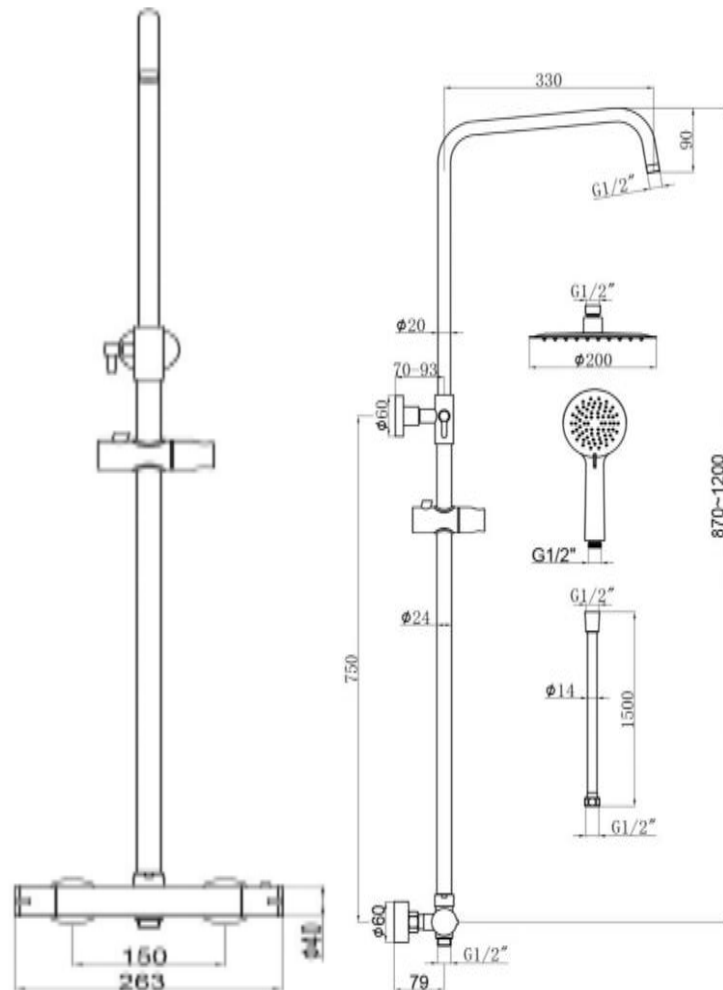
2. Automatic shut off in the event of hot or cold water supply failure.

3. Shower head : ultra slim stainless steel 200mm

4. Shower handset : Chrome , ABS, 3 mode

5. Shower hose : 1.5M, stainless steel

6. Stainless steel adjustable height riser rail



All Dimensions are in millimetres. The information contained on this page was correct at date of issue. Fitting dimensions are provided as a guide only. Some variation may occur due to manufacturing tolerances. We pursue a policy of continuing improvement in design and performance of our products and so reserve the right to change specifications without prior notice.