

SensoWash[®] D-Neo

Montageanleitung	Compact Dusch-WC
Mounting instructions	Compact shower toilet
Notice de montage	WC douche Compact
Montagehandleiding	Compact douche-WC
Instrucciones de montaje	Inodoro de lavado Compact
Istruzioni di montaggio	Vaso con sedile elettronico integrato
Instruções de montagem	Sanita compacta com duche
Monteringsanvisning	Compact toilet med bidetfunktion
Asennusohje	Compact-pesevä-WC
Monteringsveiledning	Compact dusjtoalett
Monteringsanvisning	Compact dusch-WC
Montaažijuhend	Compact duši-WC
Instrukcja montażu	Miska Compact z deską myjącą
Инструкция по монтажу	Компактный унитаз-биде
Návod k montáži	Compact bidetové WC
Montážny návod	Sprchovacie WC Compact
Navodila za montažo	Kompaktna WC-školjka s prho
Upute za montažu	Kompaktna WC školjka s tušem
Szerelési útmutató	Compact dusch-WC
Instrucțiuni de montaj	WC cu duș Compact
Ръководство за монтаж	Компактна тоалетна чиния с душ
Montāžas instrukcija	Kompakts klozetpods-bidē
Montavimo instrukcija	„Compact“ unitazas su dušu
Montaj Kilavuzu	Kompakt yıkamalı klozet



EN

1 About this document

All documents related to this product and further information are available online:

- > Access the online documents at qr.duravit.com or www.duravit.com.

2 Safety

2.1 Purpose of the document

The instructions are part of the Duravit product. Failure to follow the instructions may result in personal injury, product damage and/or property damage.

- > Read and follow the instructions.
- > Keep this document and pass it on to subsequent users.

We reserve the right to make technical improvements and visual changes to the products illustrated.

2.2 Target readership and qualifications

All work associated with the installation may only be undertaken by plumbers.

- Plumbers are persons with the appropriate technical training, knowledge and experience so that they can recognise and avoid dangers and risks that may arise during the installation in the sanitary area.
- Plumbers are qualified to select and use suitable protective equipment.
- Plumbers are familiar with and observe the installation regulations of local utility companies and country-specific standards.

The electrical installation may only be carried out by an electrician.

- Electricians are persons with the appropriate technical training, knowledge and experience so that they can recognise and avoid dangers and risks that may be caused by the electricity.
- Electricians are qualified to select and use suitable protective equipment.
- Electricians are familiar with and observe the installation regulations of local utility companies and country-specific standards.

2.3 Electrical safety

2.3.1 Risk of fatal injury caused by electric shock

Contact with electricity can lead to a fatal electric shock.

2.3.2 General precautions

- > Connect the product only to the specified power supply.
- > The product must be earthed. Do NOT operate the product without proper grounding.
- > Disconnect electrical components from the power supply before the installation.
- > Prevent the power supply from being switched on accidentally.
- > Check that all components are de-energised.
- > NEVER touch the power supply cable with wet hands.
- > If the power supply cable on this product is damaged, it must be replaced by the manufacturer, the customer service agent or similarly qualified persons in order to avoid a hazard.
- > Do NOT remove individual components.

2.3.3 Laying a supply line

Lay a permanent power supply line which must be on a separate circuit.

- > Observe the position of the electrical connection.
- > Leave at least 800 mm (31 ½ ") of supply line exposed.
- > Ensure that the protective earthing conductor is 10 mm (¾ ") longer than the L and N conductors.
- > Check the rating label for the rated power and choose the supply line cross section according to local standards and regulations: 1 – 2.5 mm² (17 – 14 AWG).

2.3.4 Installing a circuit breaker

Means for disconnection must be incorporated in the fixed wiring in accordance with the wiring rules and having a contact separation in all poles that provide full disconnection under overvoltage category III conditions.

2.3.5 Install residual current device (RCD)

The product itself does not have electrical leakage protection function. The product must be supplied through a residual current device (RCD) not exceeding max. 30 mA.

2.3.6 Avoid condensation

- > Do NOT install the product in a room exposed to excessive moisture. Ensure sufficient ventilation to avoid condensation in electric components.
- > When the product is brought from a cold location to a warm one, leave the unit switched off for a few hours to avoid condensation.



2.4 Hygiene

2.4.1 Damage to health caused by dirty, polluted or long standing water

Operating the shower functions with dirty, polluted or long standing water can cause damage to health.

- > Supply the product with cold drinking water from the main water system.
- > Do NOT connect any waste water, grey water, industrial water, sea water or other untreated or semi-treated water.
- > Only use the water supply hoses provided with the product. Do NOT reuse old hoses.
- > If the product is NOT to be used for two weeks or more, empty the product and switch it off (holiday mode).

2.5 Avoid product damage

2.5.1 General precautions

- > Only use the parts in the installation kit to avoid malfunctions.
- > Only use attachments recommended by Duravit.

2.5.2 Damage through freezing water

- > Do NOT install and operate the product in rooms where there is a danger of frost. The room temperature must not be less than 4 °C (39 °F).

2.5.3 Damage due to limescale build-up

Limescale can build-up in regions with hard water. Limescale can impair the performance of the product.

- > Check the water quality in the region. Duravit recommends the installation of a water softener with water hardness ≥ 14 °dH (2.5 mmol/l).

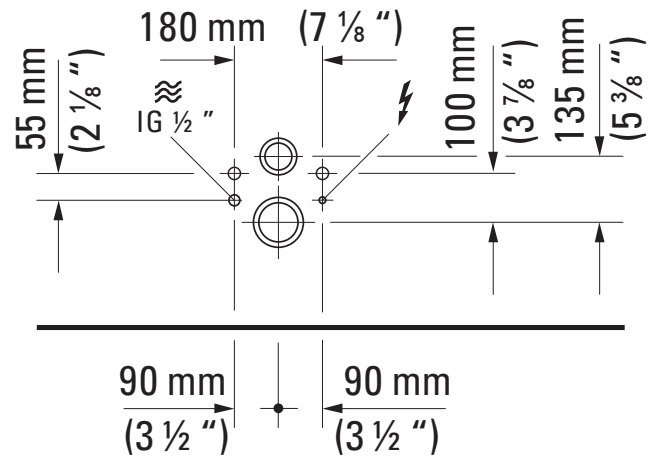
3 Requirements at the installation location

The pre-installation is carried out properly.

- > Access the pre-installation data sheet at qr.duravit.com or www.duravit.com.
- > Ensure that there is enough floor space to install the toilet and that bathroom door will open and close without obstruction.
- > Ensure that the lid will open and close without obstruction against window frames, shelves and other bathroom furniture.

4 Drawings and plans

4.1 Water and power connections



- > Ensure that the water connection and drain are installed in the specified areas.
- > Ensure that the electrical connection is installed in the specified areas.

5 Technical data

Electrical connection	
Rated voltage	220 – 240 V, 50 – 60 Hz
Rated power	1080 W
Circuit breaker	$I_N = 16$ A
RCD	$I_N = 30$ mA
Protection degree	IPX4
Protection class	I
Cable specification	Supply line cross section 1 – 2.5 mm ² (17 – 14 AWG)

Water connection	
Cold water	DN 15 (1/2")
Water pressure	0.07 – 0.75 MPa (10 – 109 psi)
Water hardness	Max. 2.4 mmol/l (240 ppm)



6 Mounting instructions

1 Inspecting the product

> Inspect the product for damages.

2 Preparing the water connection

The water connection can be prepared as follows:

- Via a permanent connection.
- > Use an additional pre-installation set.
- Via ductwork in the cistern, often pre-assembled on DuraSystem® carrier frames.
- > Check if ductwork is pre-assembled.
- > Use an additional connection set.

4 Installing a noise reduction gasket

> Take the thickness of the noise reduction gasket into consideration during installation: z + 50 mm (2 ").

8 Connecting the water

NOTE

Malfunctions caused by defective hoses

> Only use the water supply hoses provided with the product. Do NOT reuse old hoses.

10 Installing the connection set for toilet

> Observe the separate manual.

13 Do not bend or kink hose

> Ensure that the hose is not bent or kinked.

17 Flushing the pipes

NOTE

Malfunctions caused by dirty pipes

- > Open the main valve for the water supply.
- > Open the stop valve.
- > Flush the pipes according to the local standards and collect the water.
- > Close the stop valve for the water supply.

Checking for leaks

> Check for leaks.

22 Choosing and installing mounting clip

The delivery contains several mounting clips.

> Choose the mounting clip according to cable diameter.

24 Connecting the wires

! WARNING

Risk of fatal injury caused by electric shock

Contact with electricity can lead to a fatal electric shock.

- > Read and observe the information given in the safety chapter of this manual.
- > Remove approximately 10 mm (3/8 ") of insulation from the wires.
- > Connect the three wires to the terminal block. Observe the L, N and PE conductors.
- > Ensure that the protective earthing conductor is 10 mm (3/8 ") longer than the L and N conductors.

27 - 28 Installing interface with electronic actuator plate (optional)

Applies only to:

#650000 01 2 00 4320, #650001 01 2 00 4310.

#650002 01 2 00 4300 is connected via Bluetooth.

- > Install the Interface Set for functional interface with DuraSystem® actuator plate A2
- > Observe the separate manual.

33 Checking for leaks

> Check for leaks.

Installation options remote control:

- Option A: glued or screwed [▶ 84]
- Option B: glued or screwed [▶ 86]

A8 + A17 B8 + B17 Testing the product

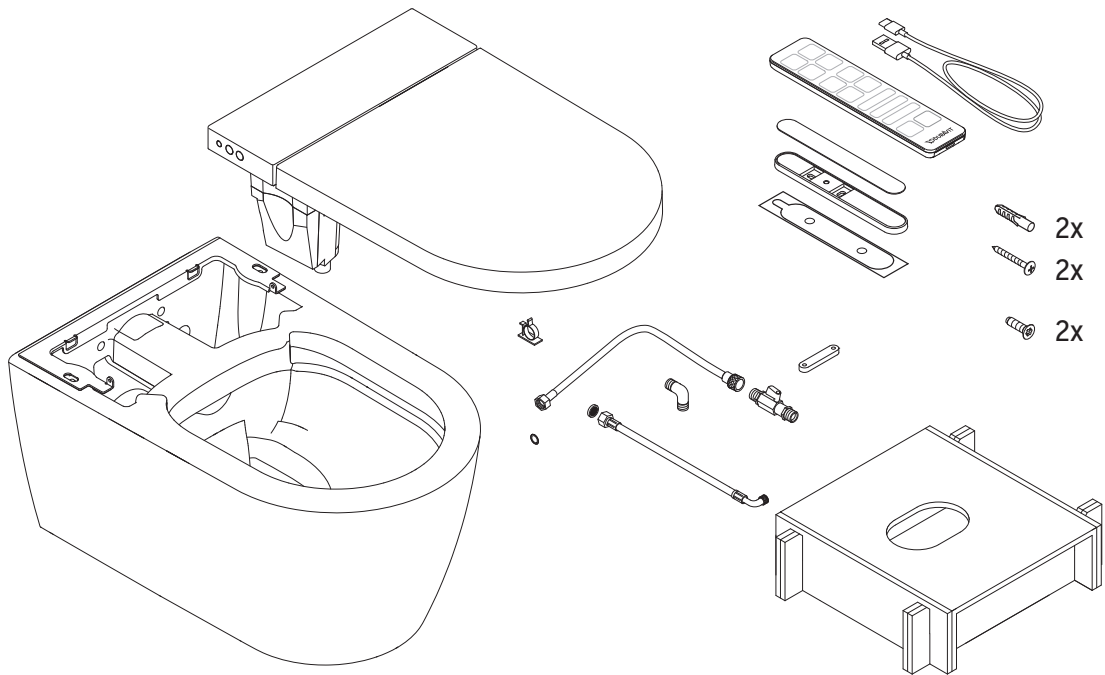
- > Check if the product works properly.
- > Observe the user manual.

! CAUTION

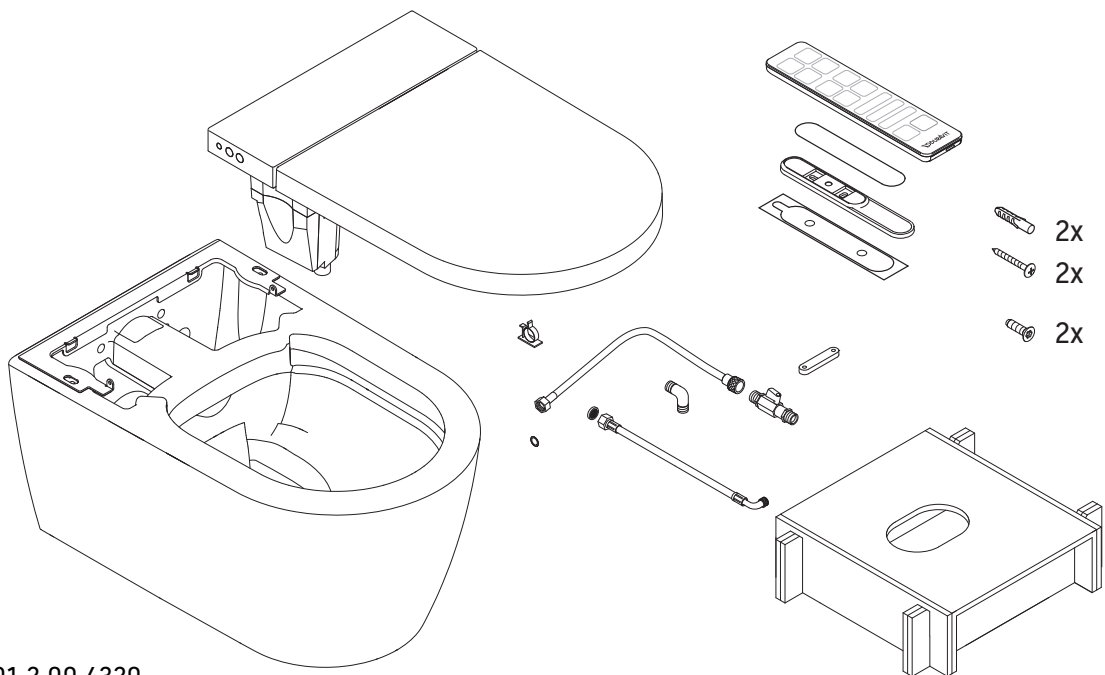
Damage to health caused by dirty, polluted or long standing water

Operating the shower functions with dirty, polluted or long standing water can cause damage to health.

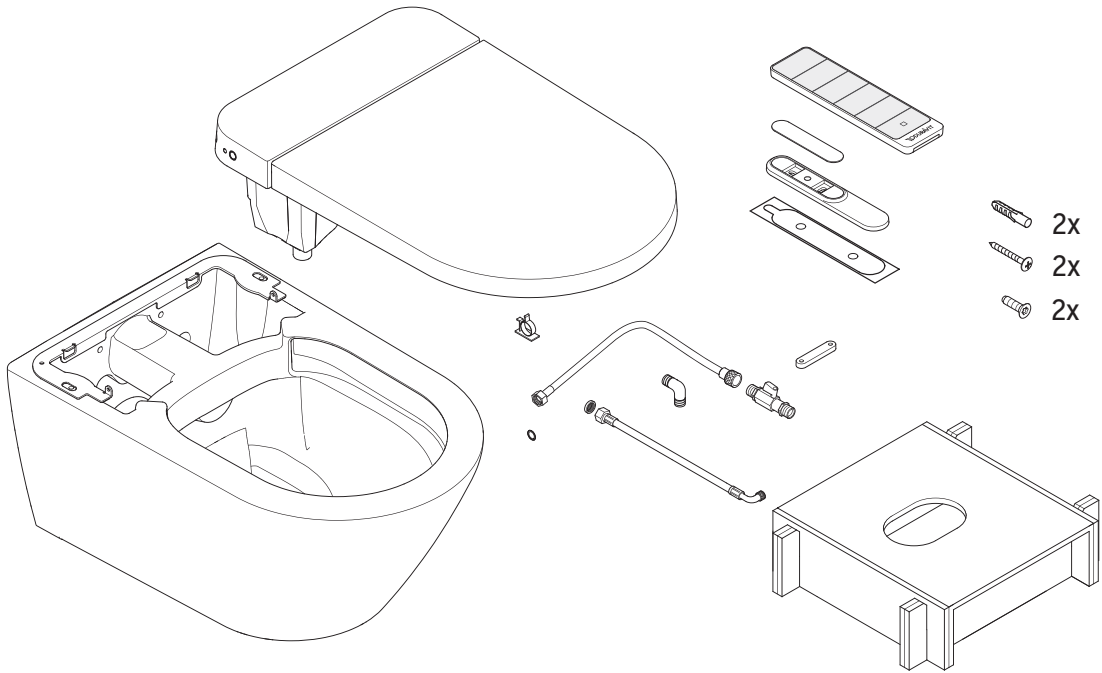
> If the product is NOT to be used for two weeks or more, empty the product and switch it off (holiday mode).



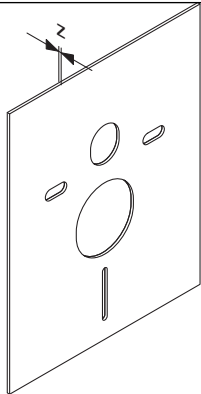
#650002 01 2 00 4300



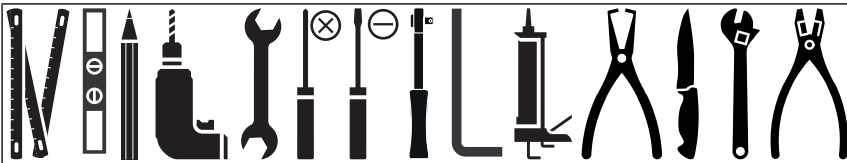
#650000 01 2 00 4320
 #650001 01 2 00 4310



#654000 01 2 00 4300

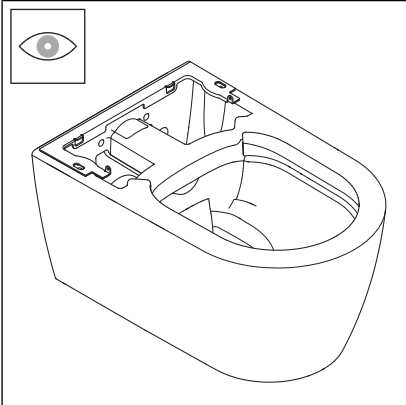


#005090

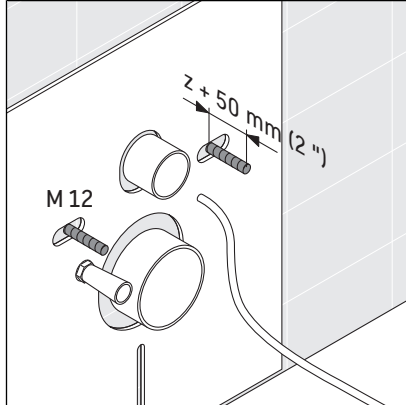




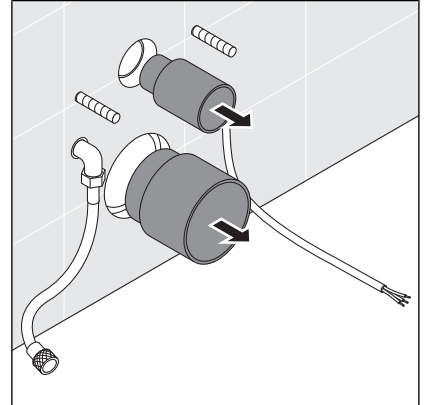
1 ▶ i



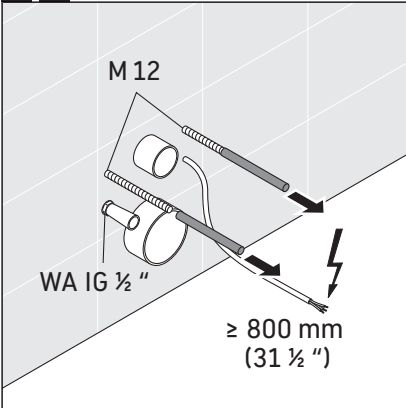
5



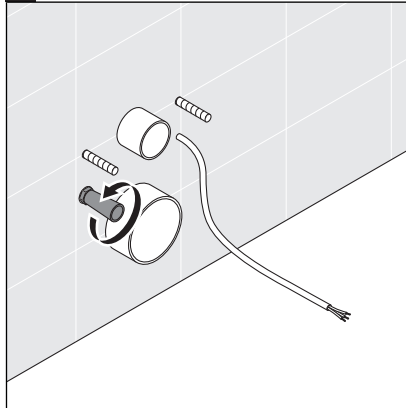
9



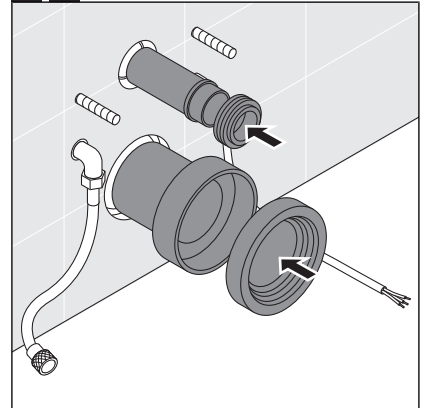
2 ▶ i



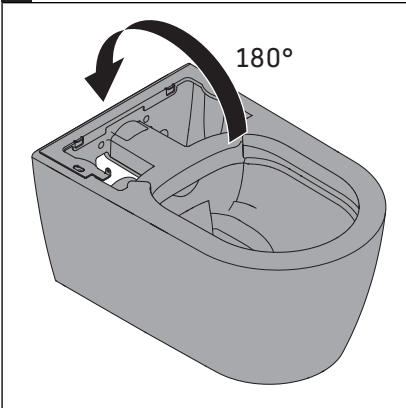
6



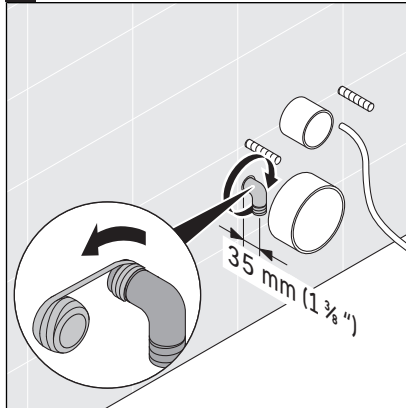
10 ▶ i



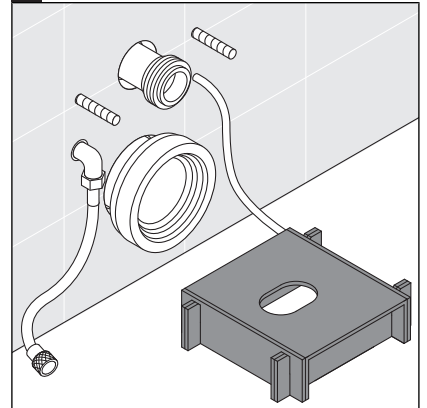
3



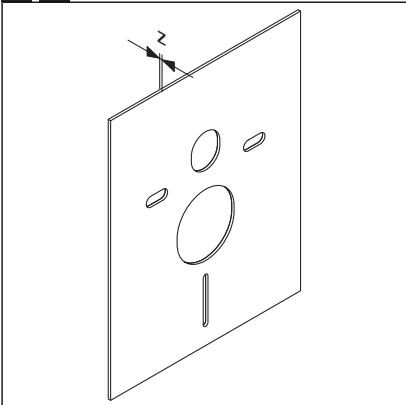
7



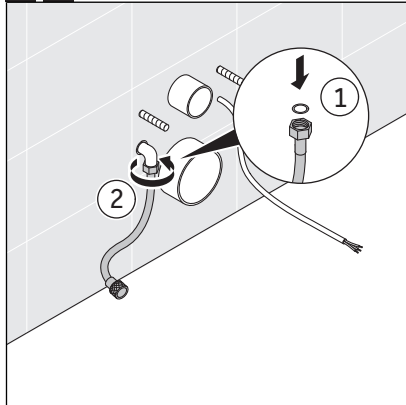
11



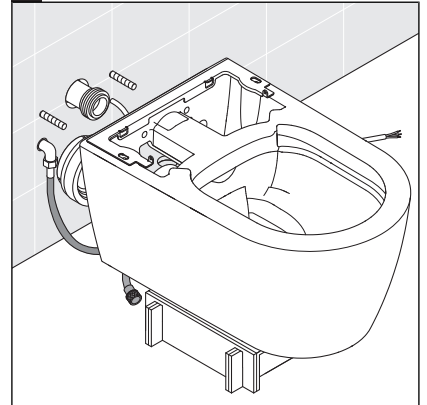
4 ▶ i



8 ▶ i

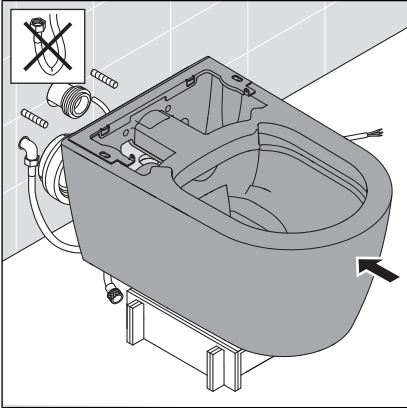


12

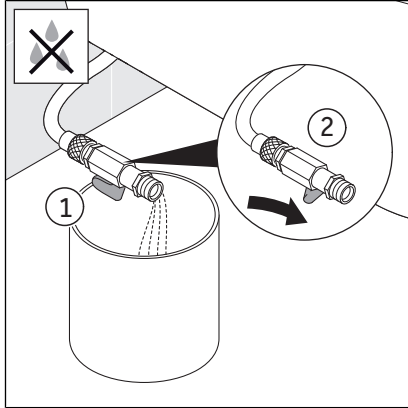




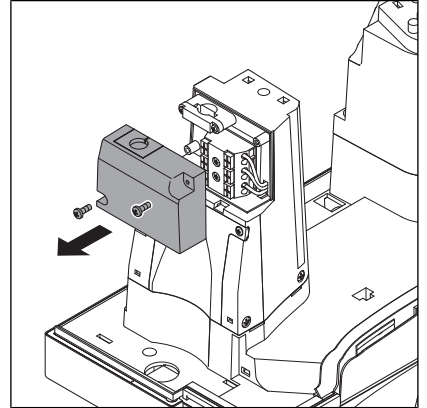
13



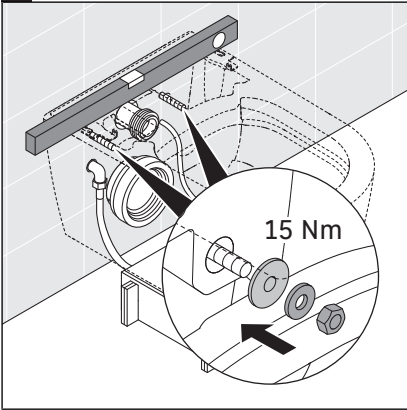
17



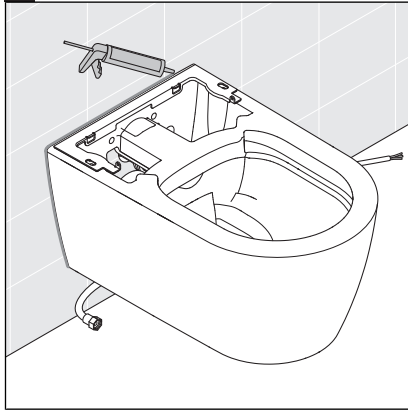
21



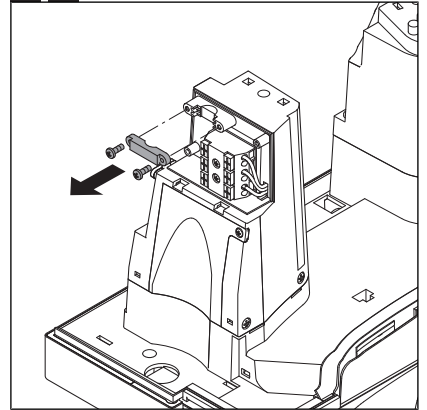
14



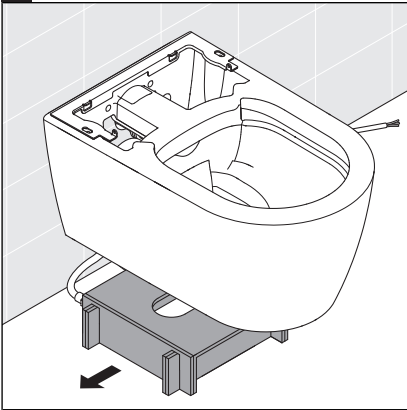
18



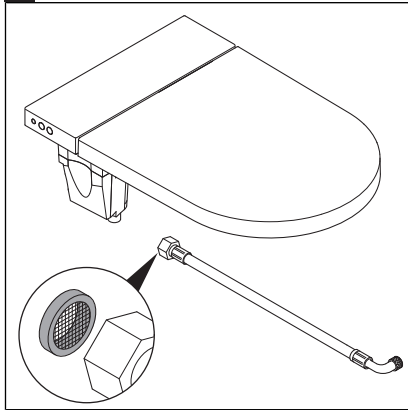
22



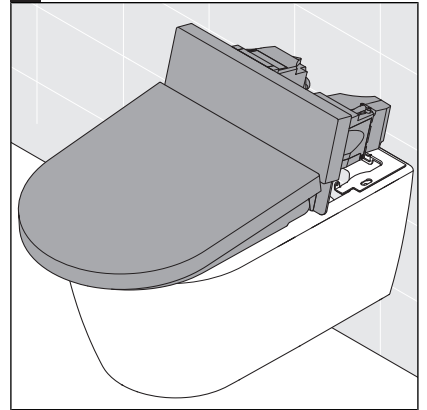
15



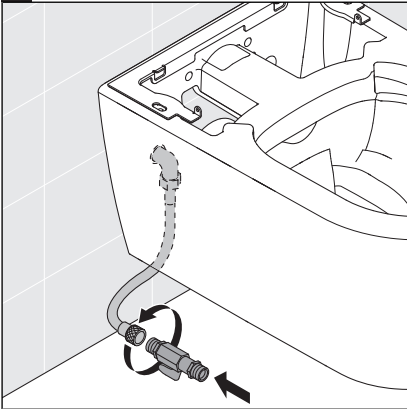
19



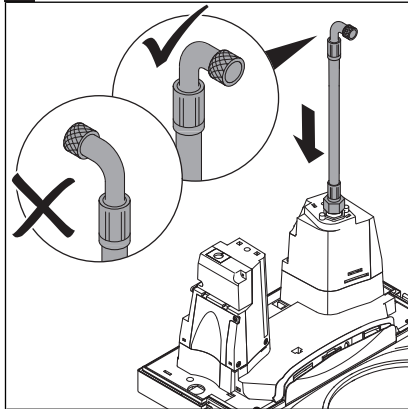
23



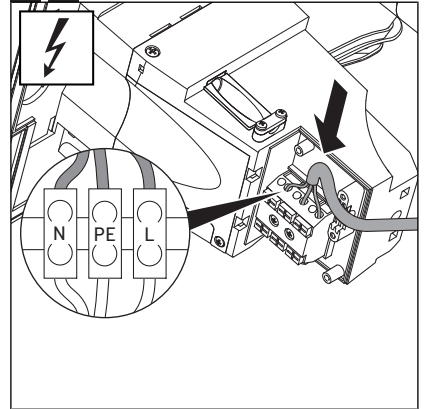
16

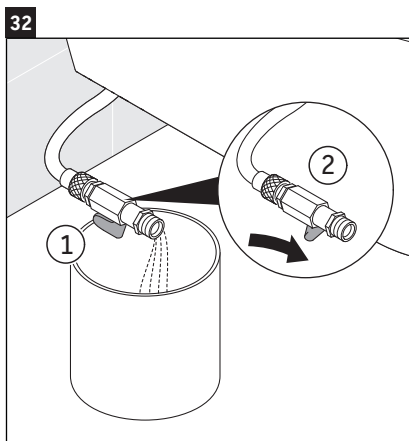
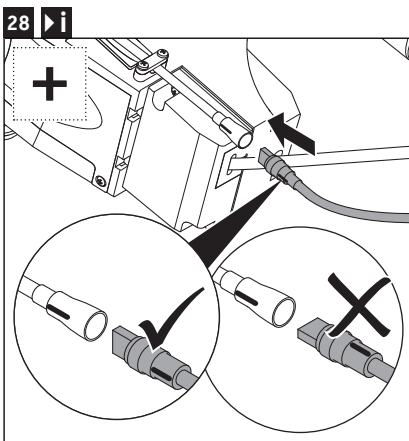
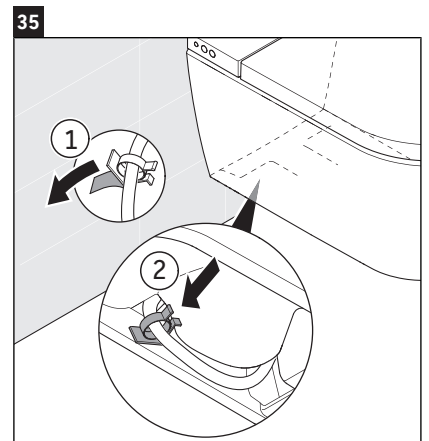
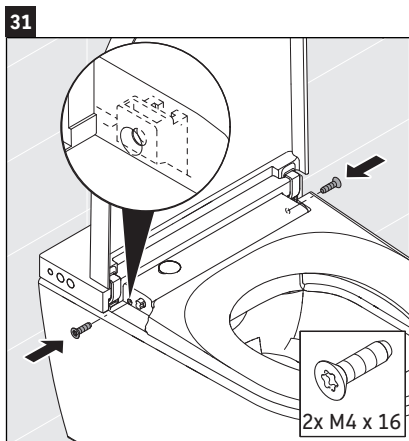
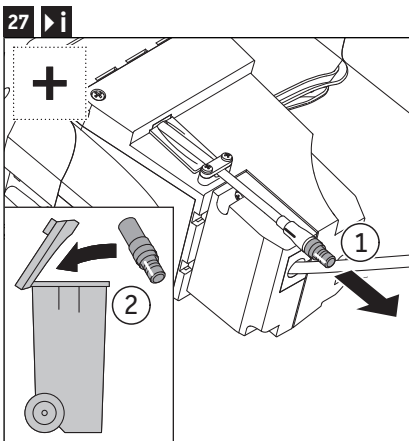
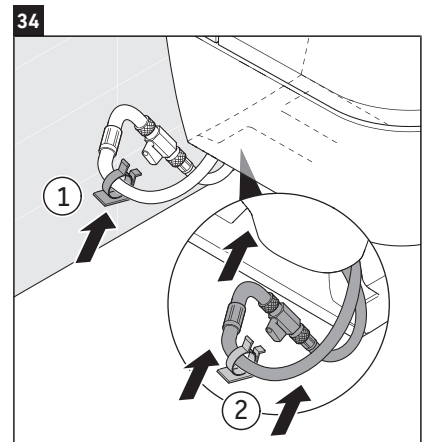
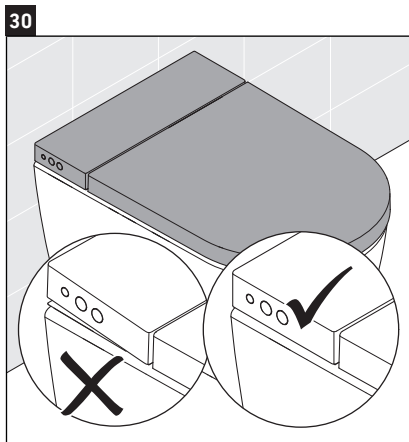
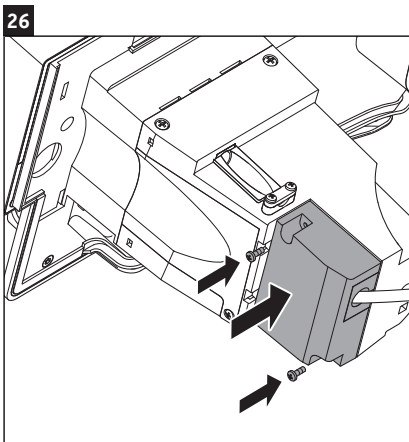
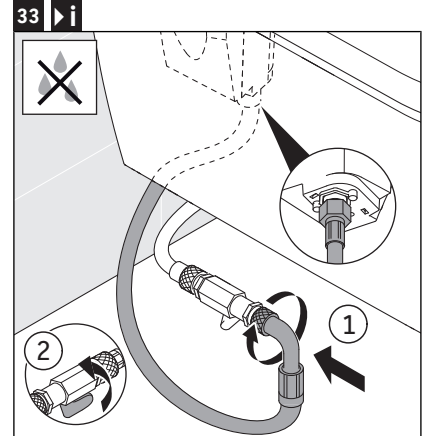
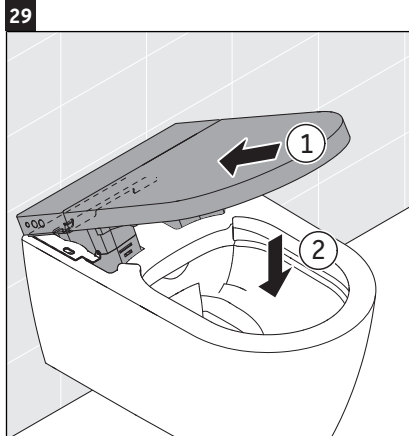
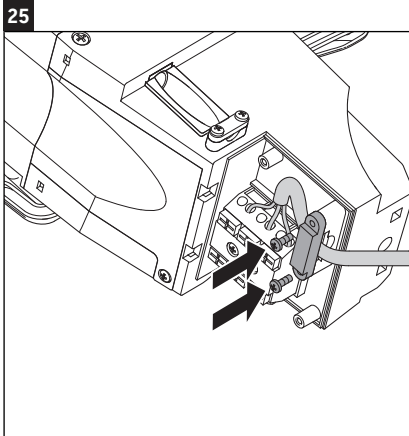


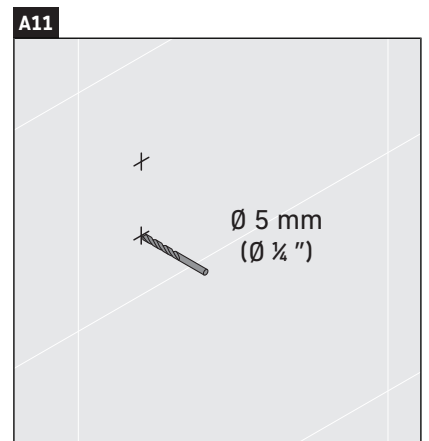
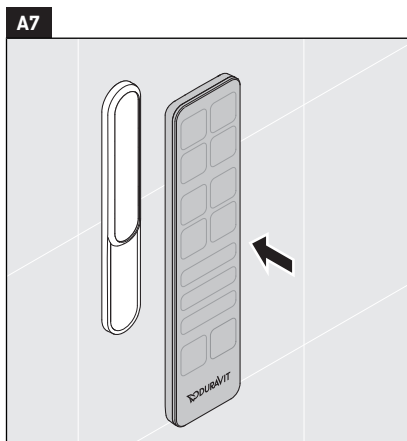
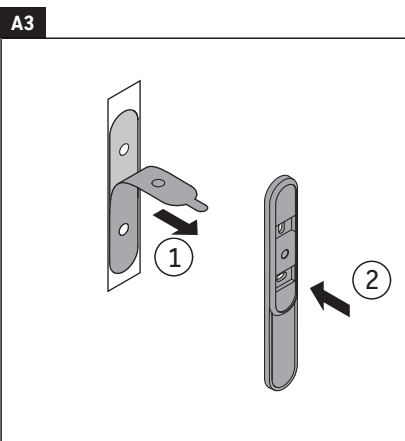
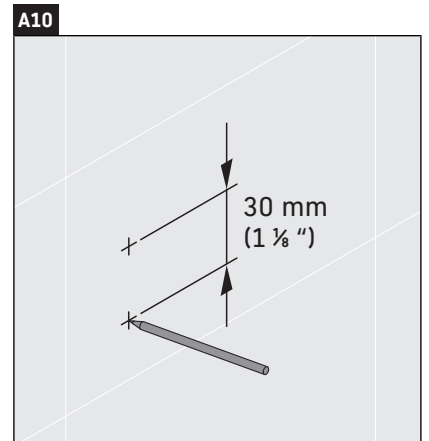
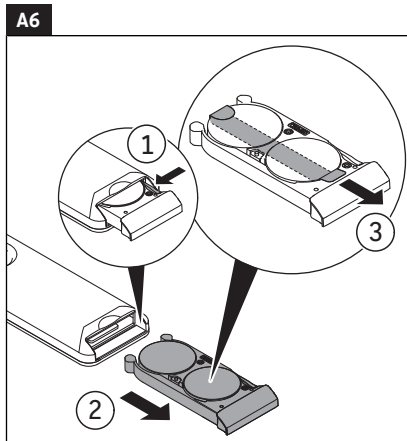
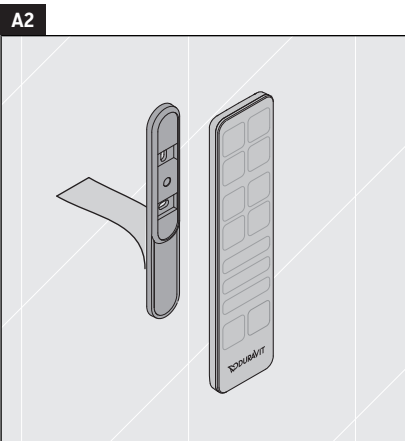
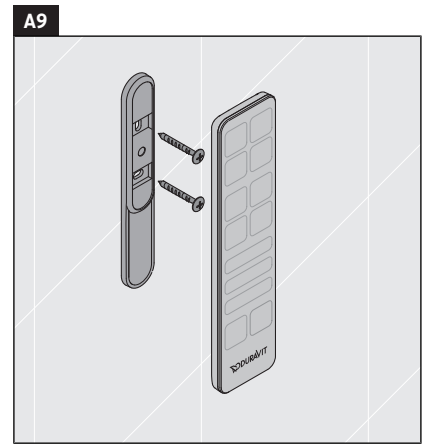
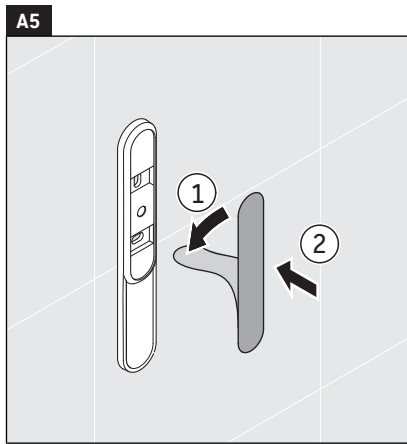
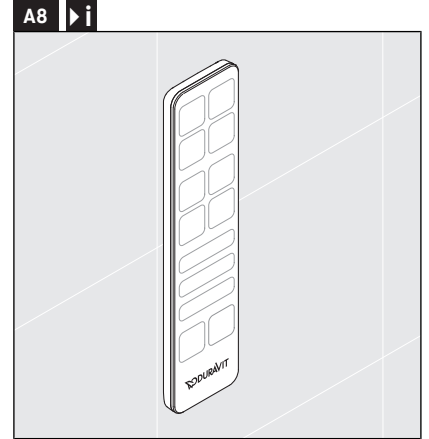
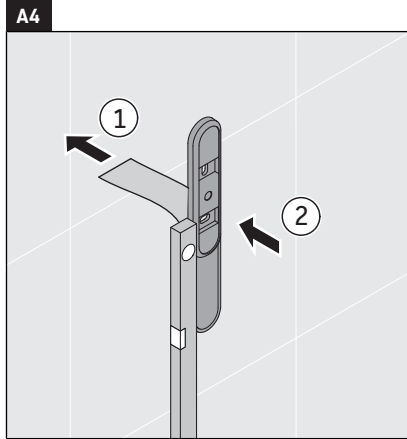
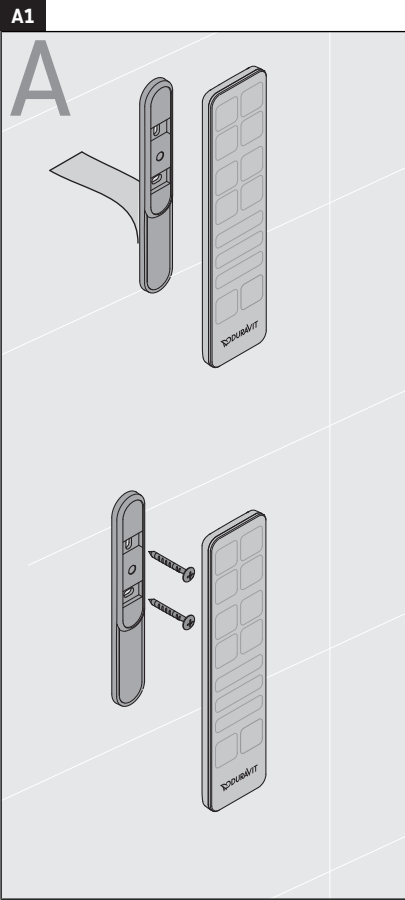
20



24

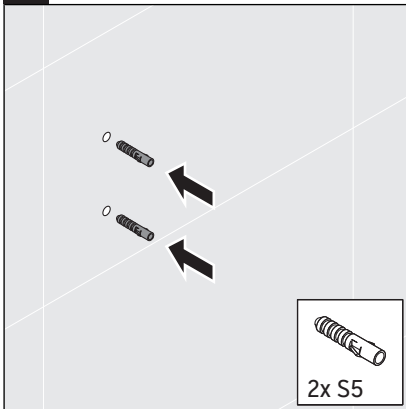




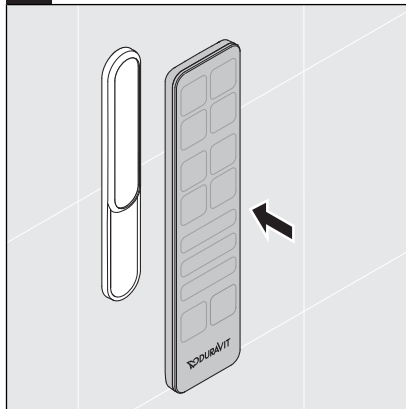




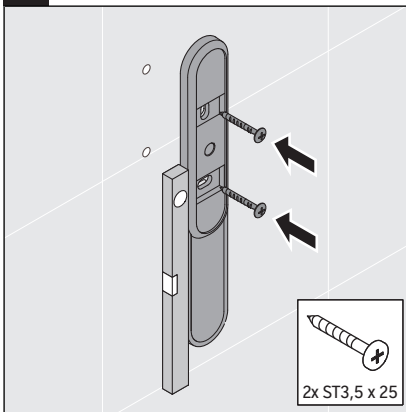
A12



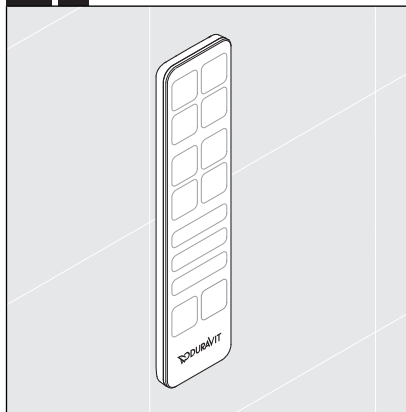
A16



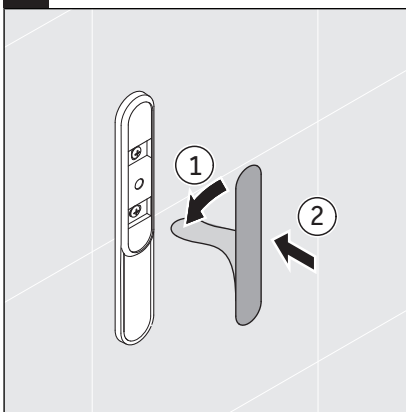
A13



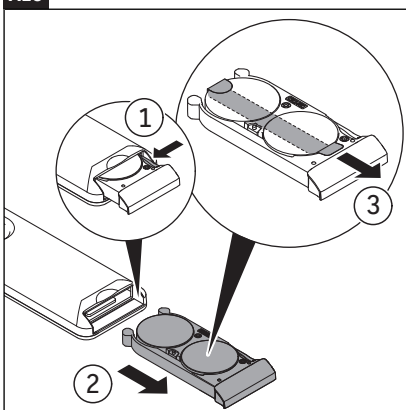
A17

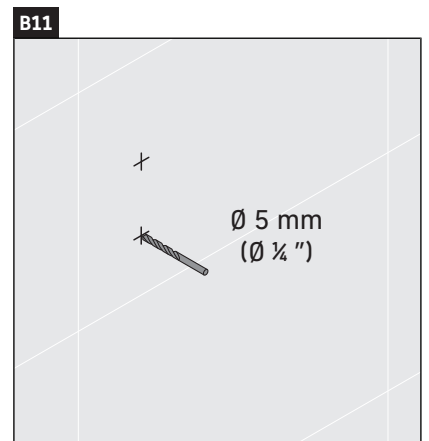
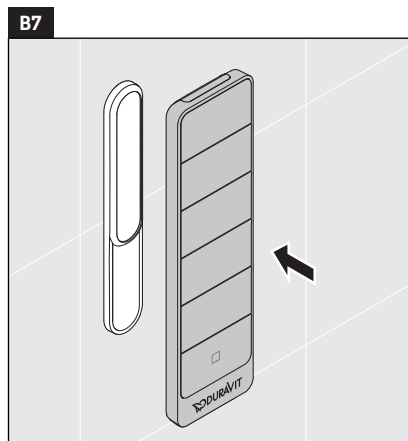
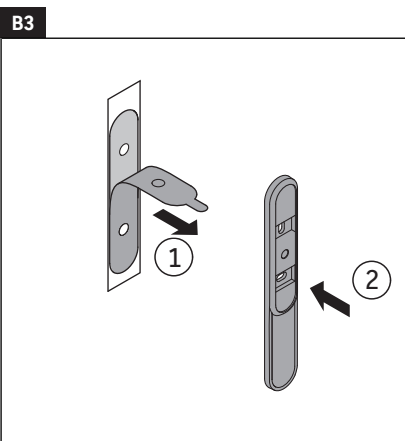
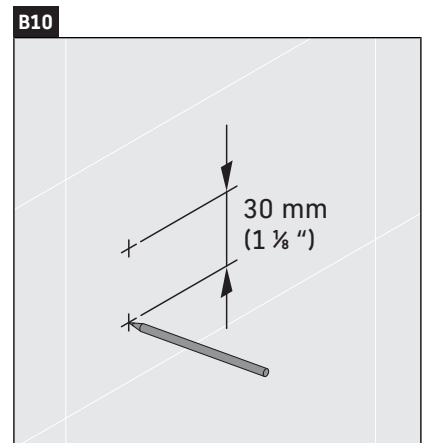
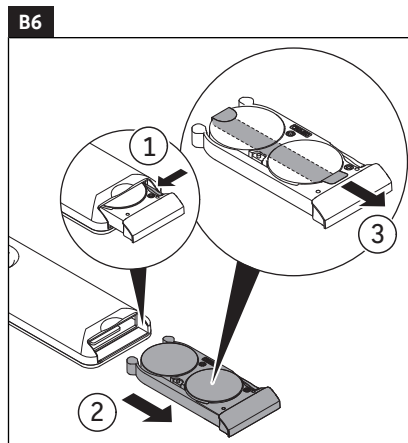
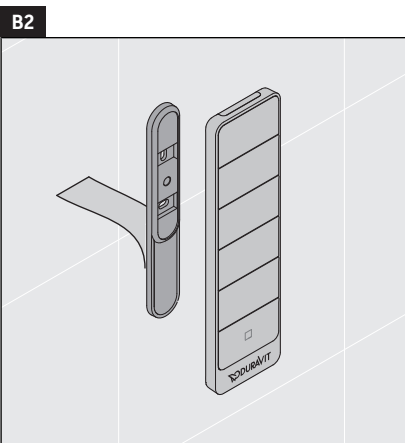
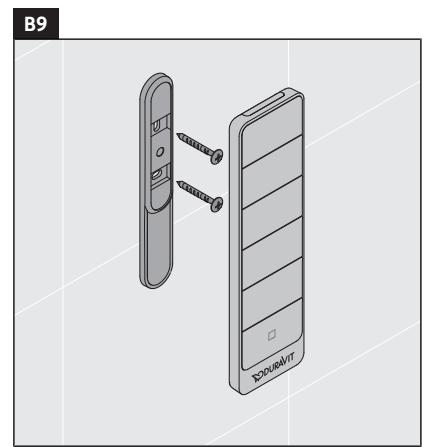
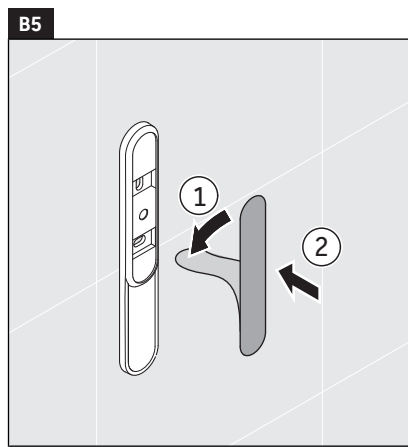
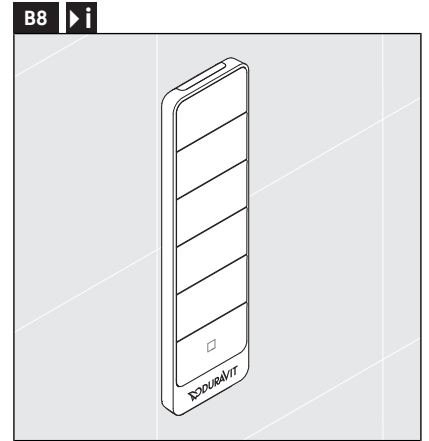
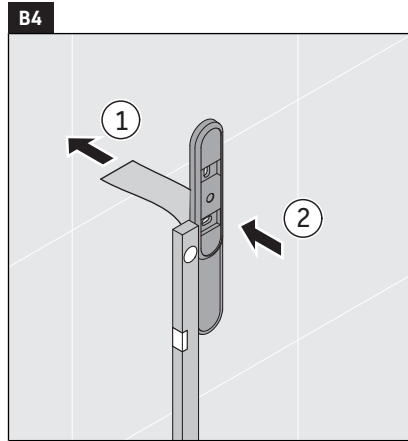
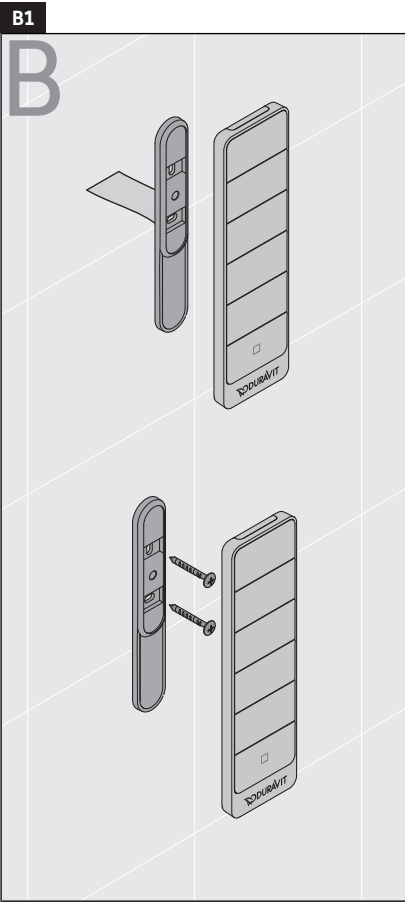


A14



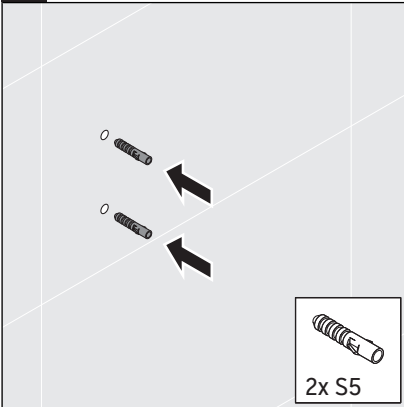
A15



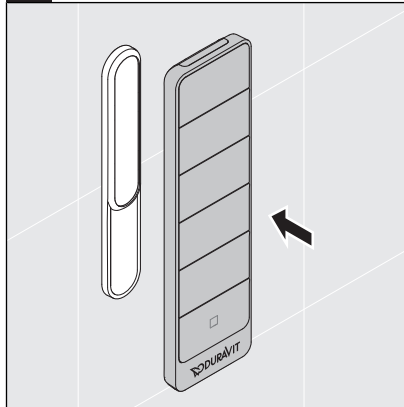




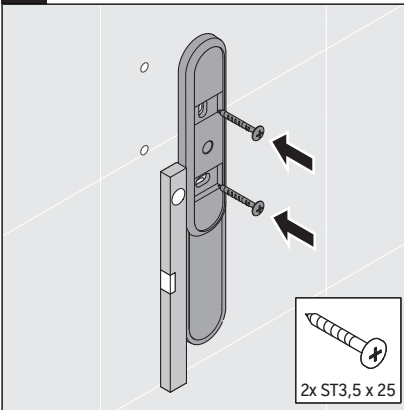
B12



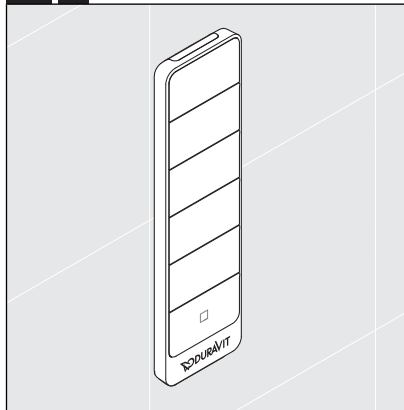
B16



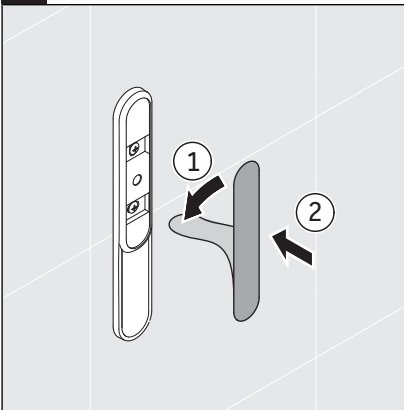
B13



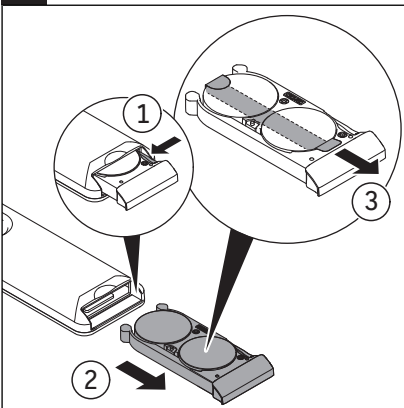
B17



B14



B15



Duravit AG
P.O. Box 240
Werderstr. 36
78132 Hornberg
Germany
Phone +49 78 33 70 0
Fax +49 78 33 70 289
info@duravit.com
www.duravit.com

