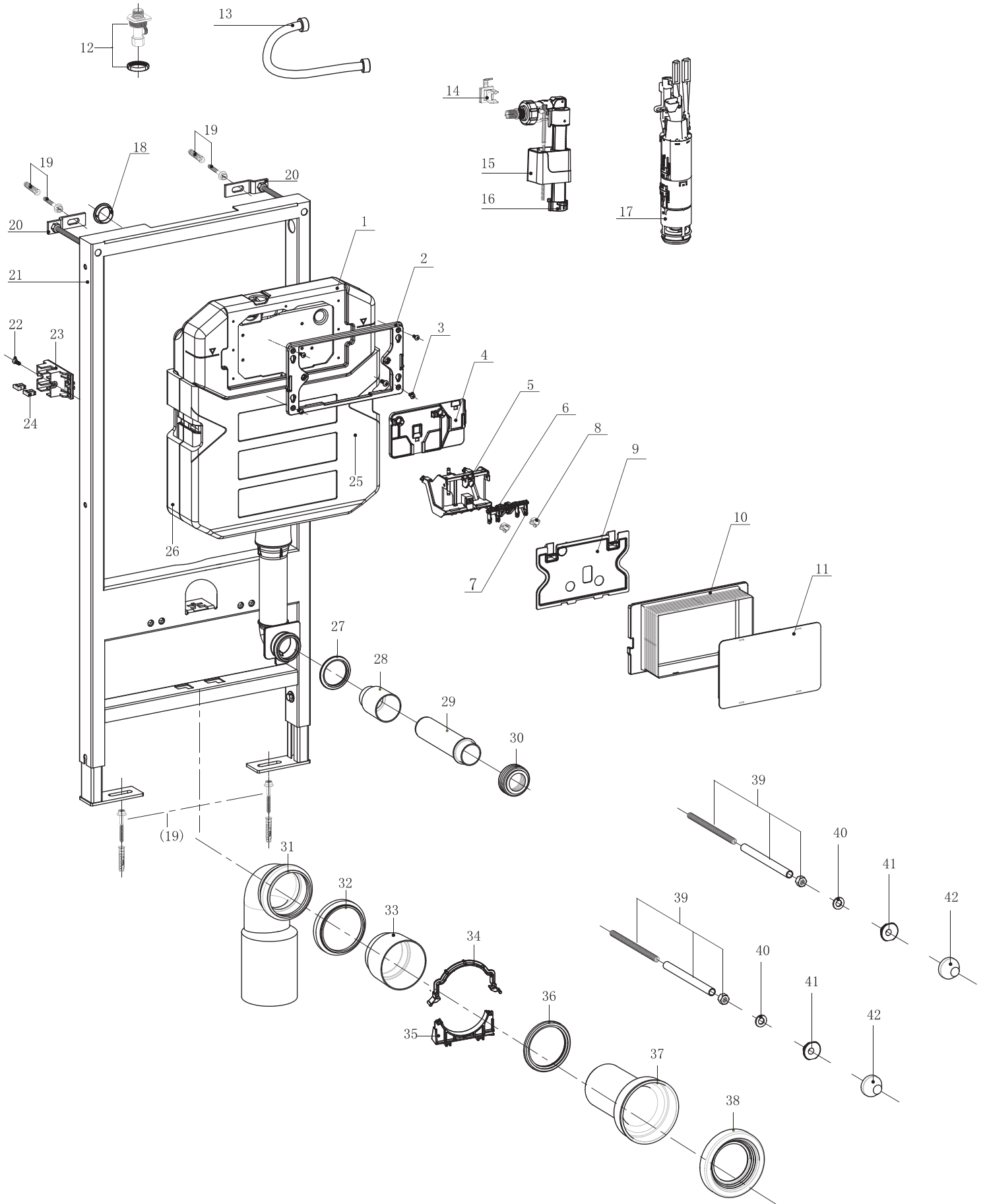


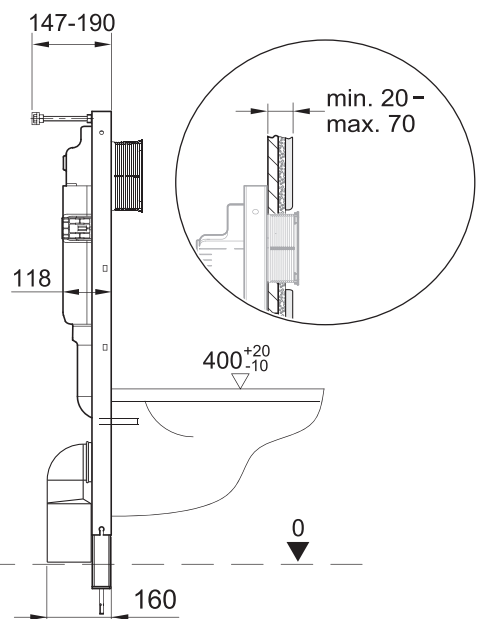
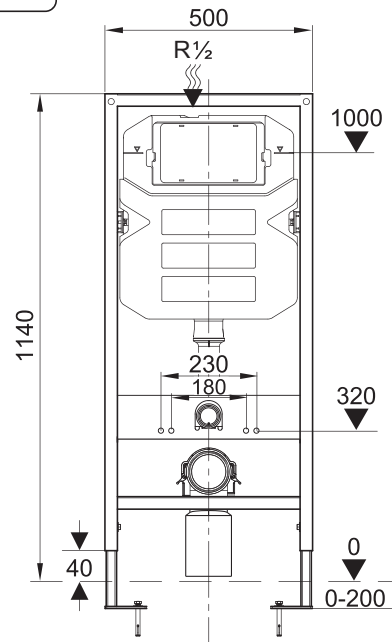
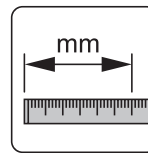
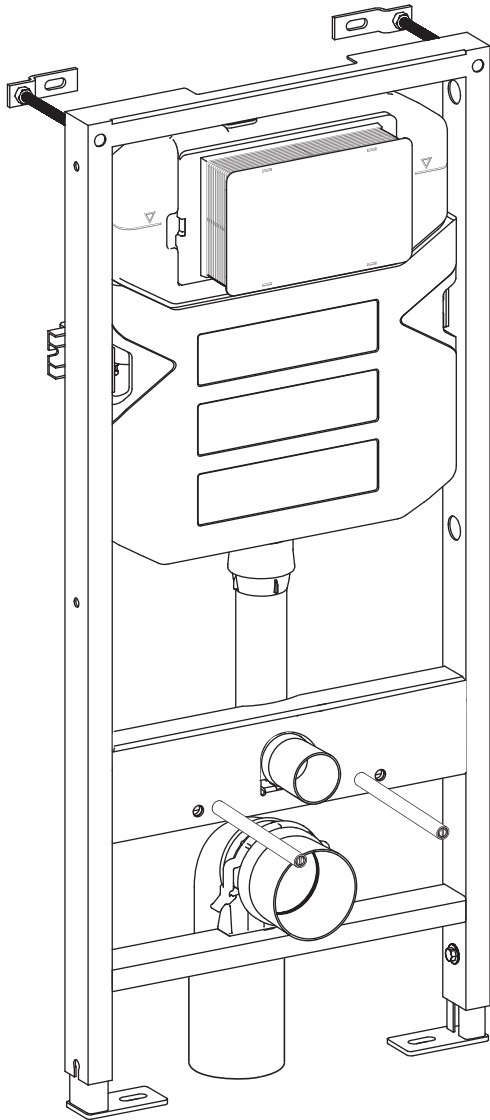
installation instructions

WCF118X50+

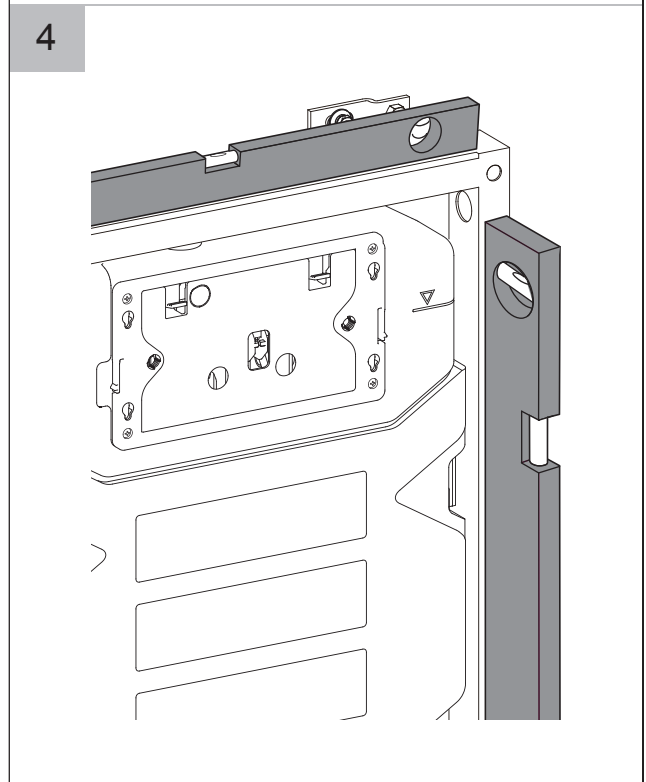
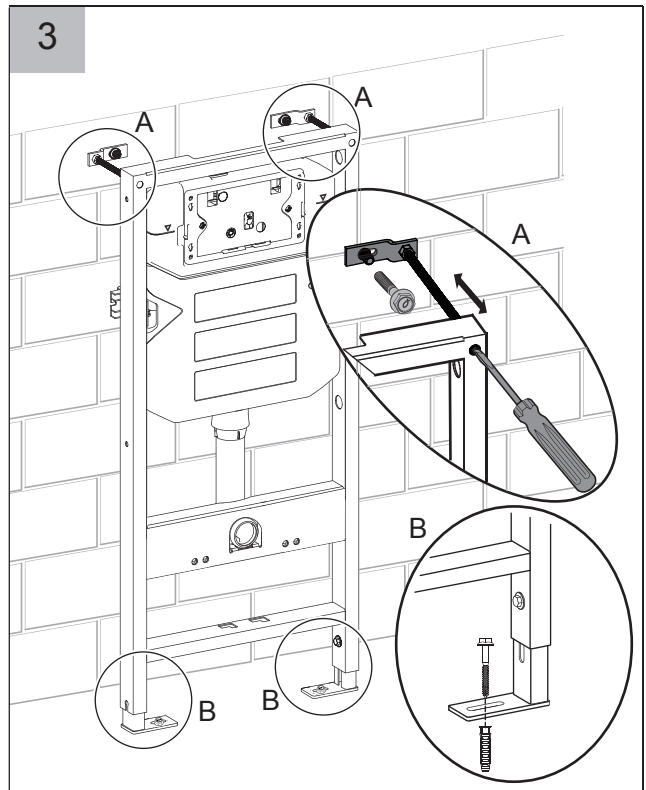
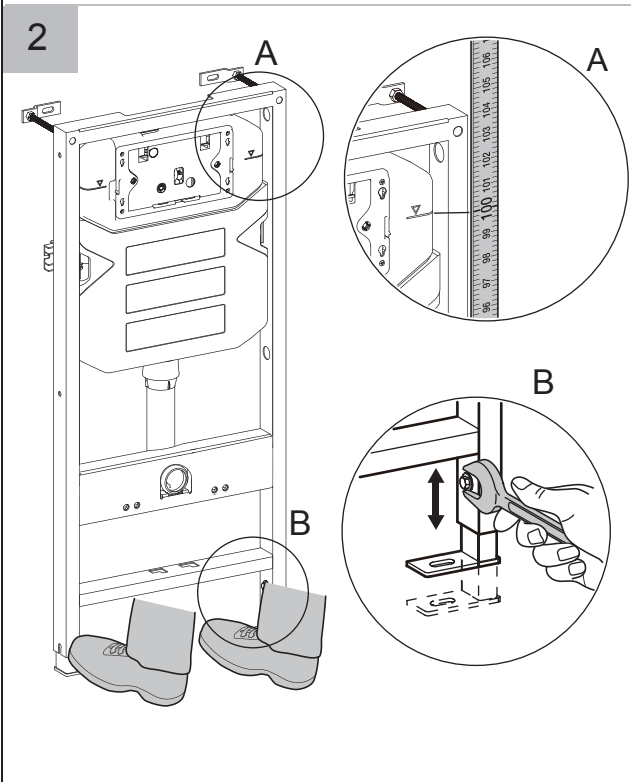
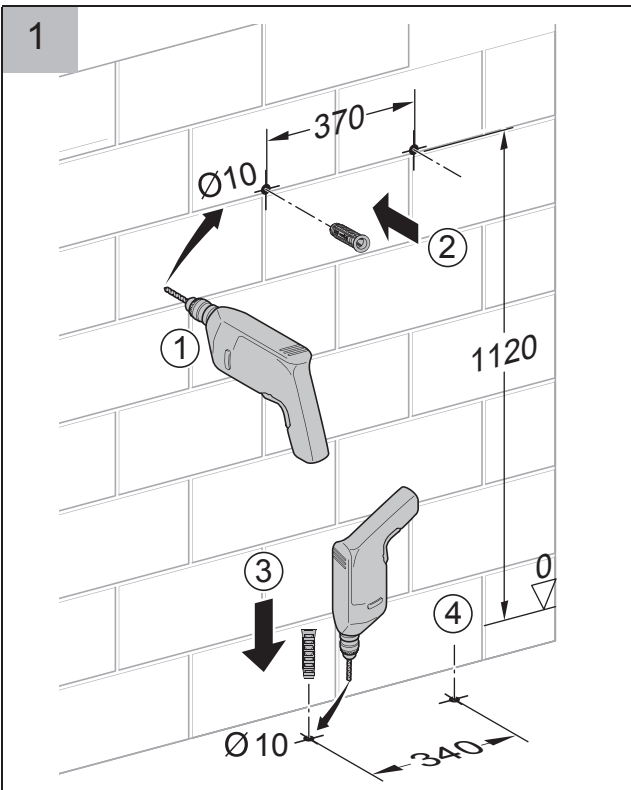
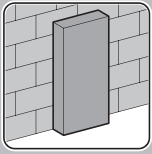


No.	Description	Quantity
1	Tank Component	1
2	Locking Plate	1
3	Screw	4
4	Fixing Plate	1
5	Gearing Bracket	1
6	Full Swing Arm	1
7	Half Swing Arm	1
8	Adjust nut	2
9	Baffle	1
10	Protection bracket	1
11	Protection Cover	1
12	Angle Valve	1
13	Metal hose	1
14	Fill Clip	1
15	Fill Vavle	1
16	Fill Sleeve	1
17	Dual Flush valve	1
18	Inlet Cover	1
19	Expansion bolt	4
20	Wall fixation	2
21	K8024 Frame	1
22	Screw	2
23	Tank Hook	2
24	Buckle	4
25	Foam(Front)	1
26	Foam(Back)	1
27	Seal Ring	1
28	Embedded Part	1
29	Straight Scour	1
30	Seal Sleeve	1
31	Waste Elbow	1
32	Elbow cover	1
33	Embedded Part	1
34	Top Pipe Clip	1
35	Down Pipe Clip	1
36	Seal Ring	1
37	Straight Pipe	1
38	Seal Sleeve	1
39	Bolt Component	2
40	Washer	2
41	Gasket	2
42	Nut Cap	2

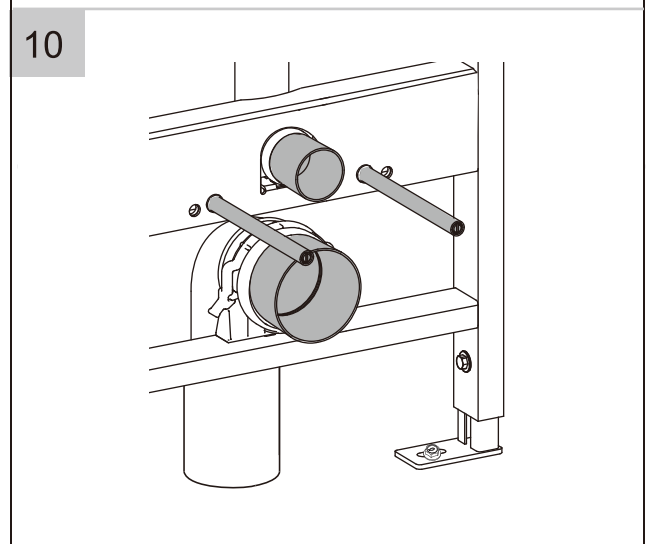
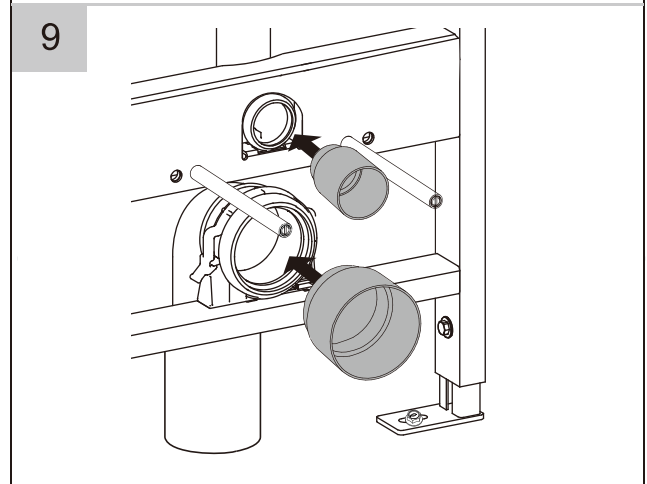
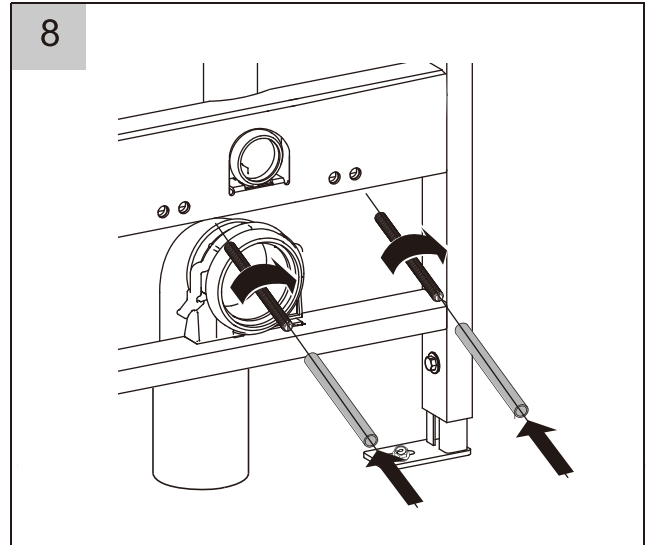
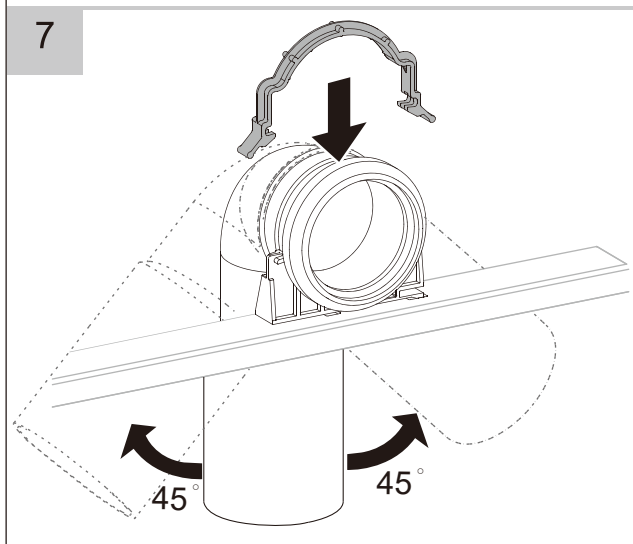
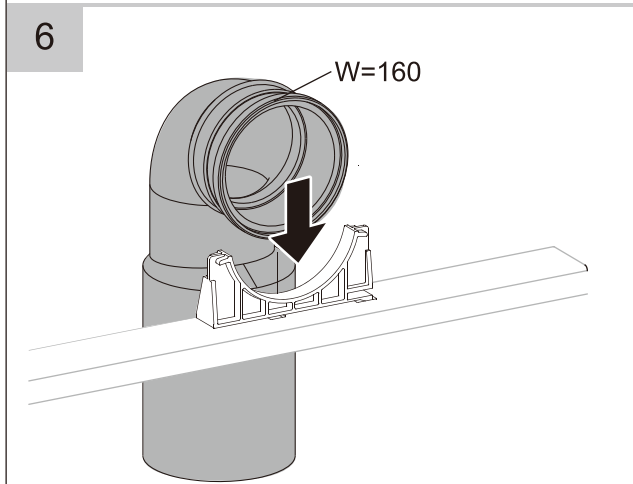
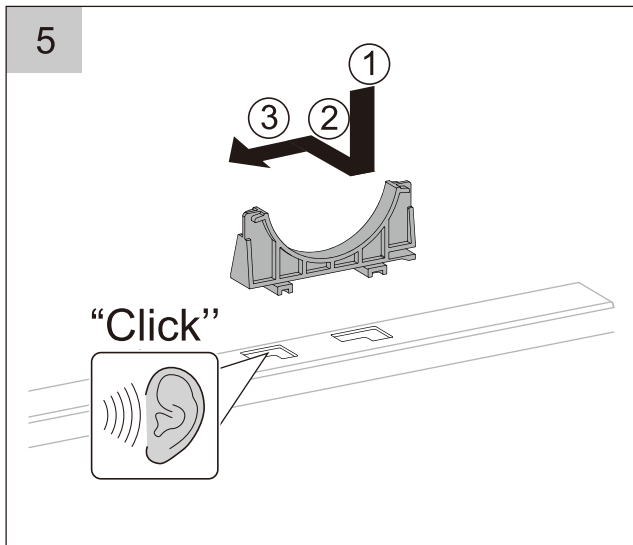
560298-1 18-1.4



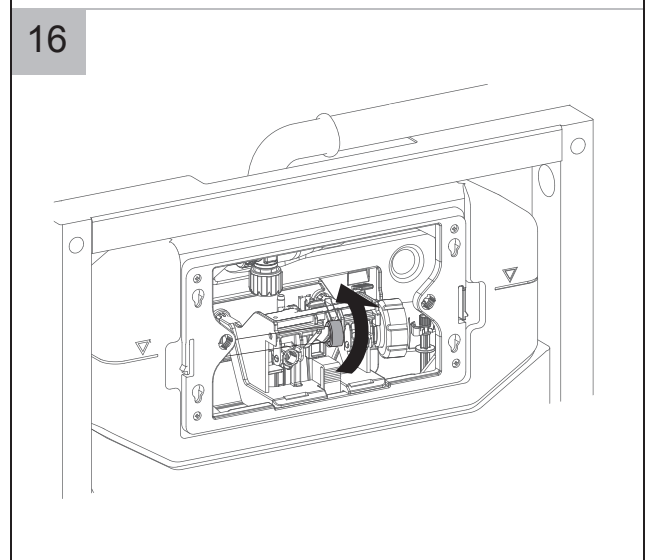
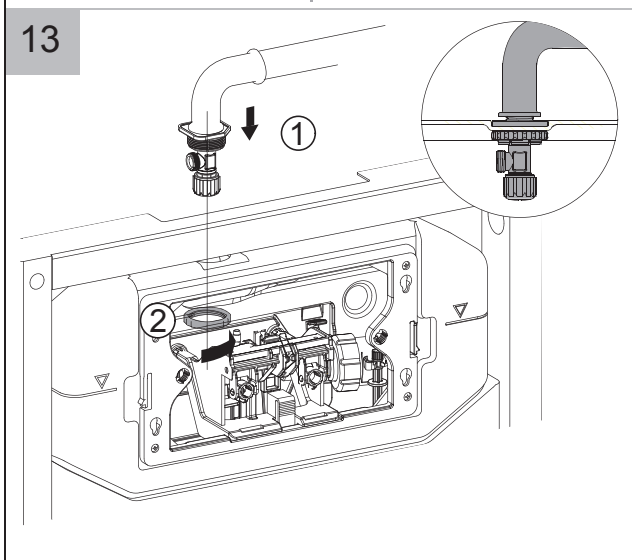
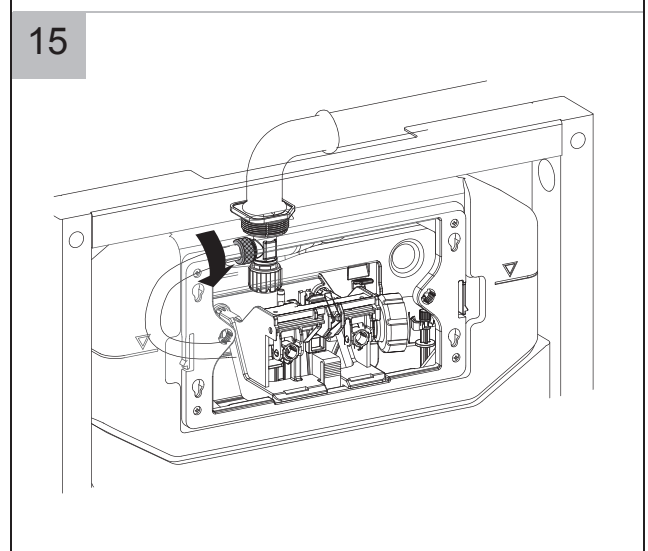
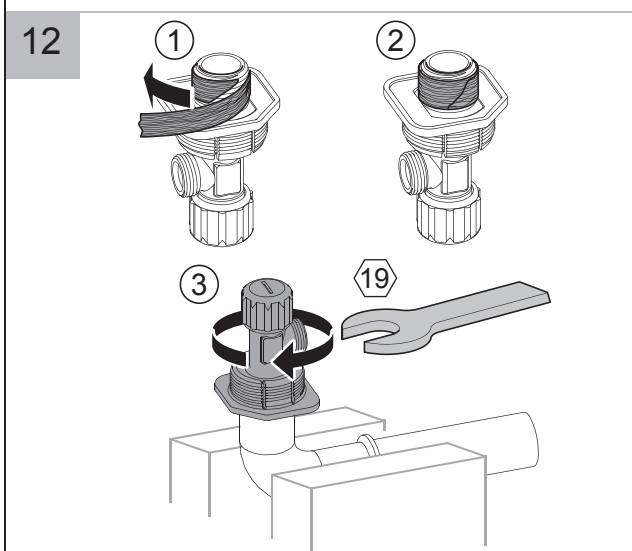
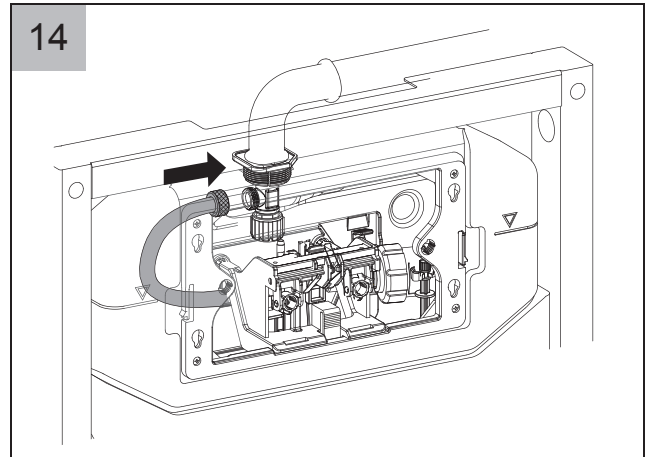
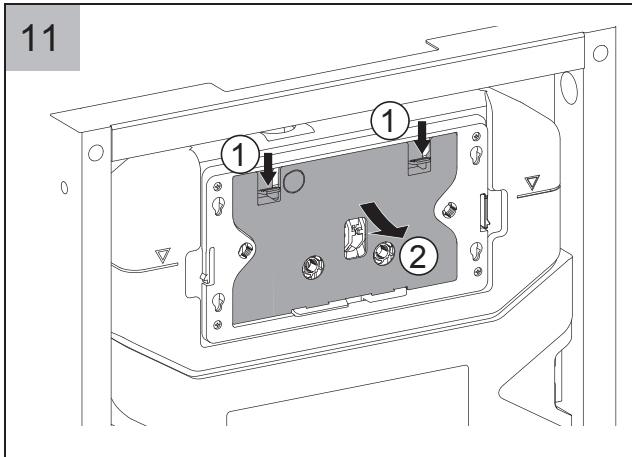
Installation



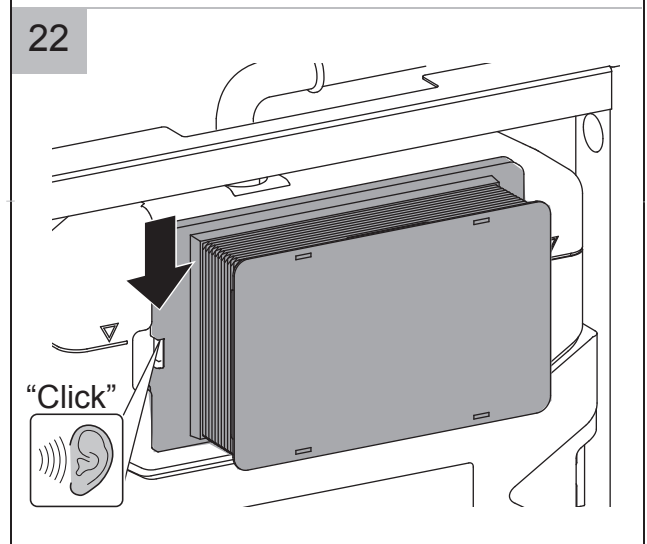
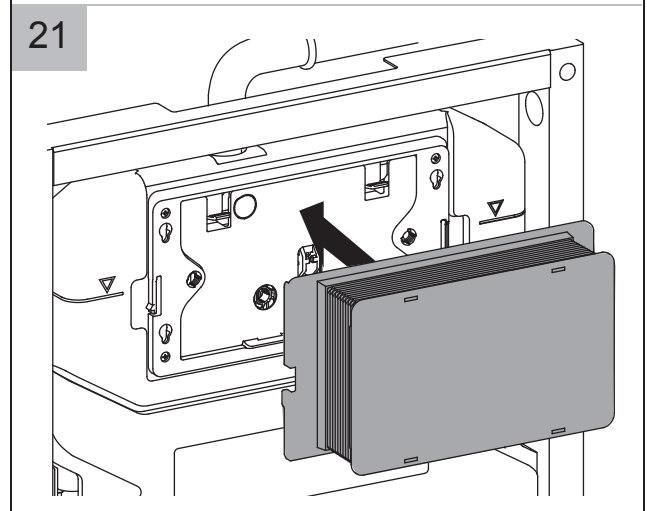
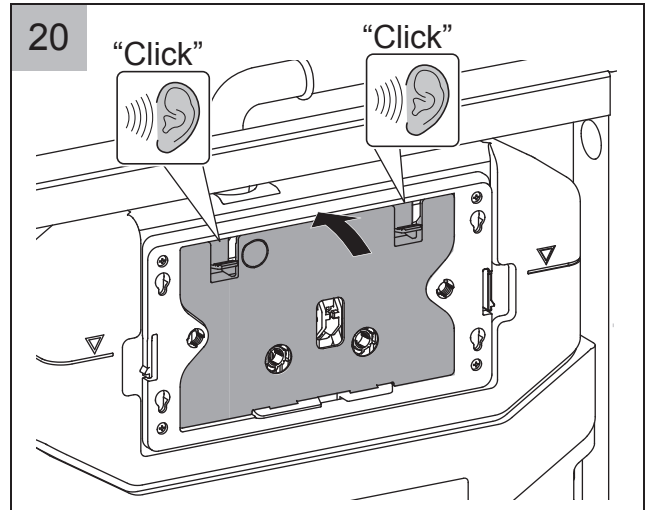
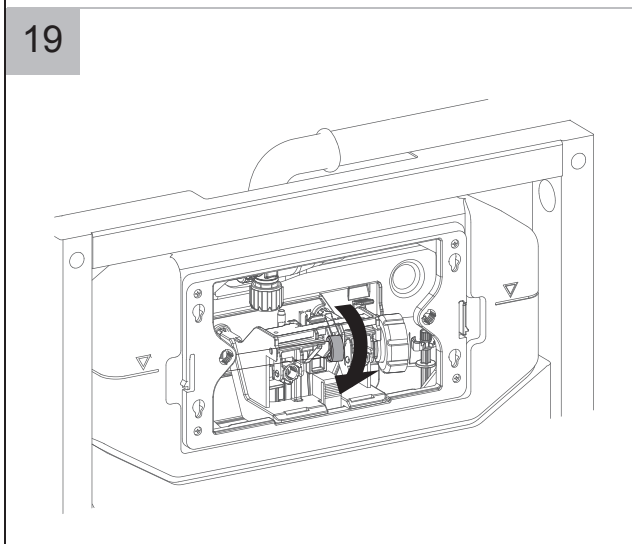
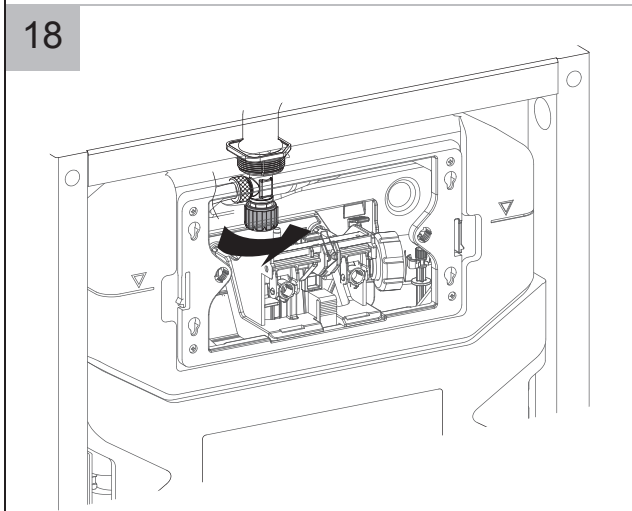
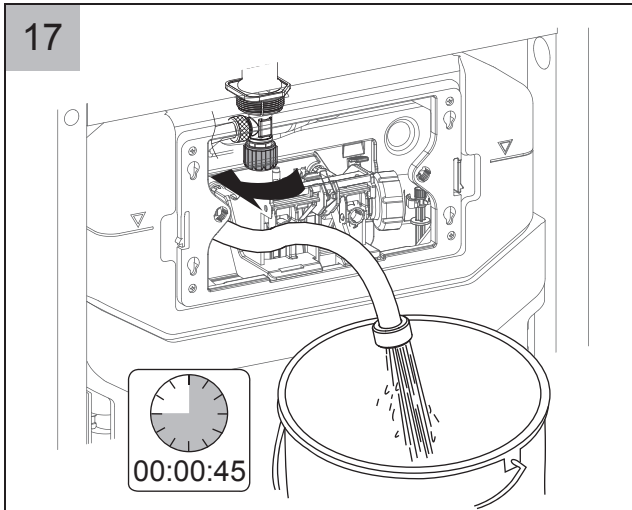
Installation



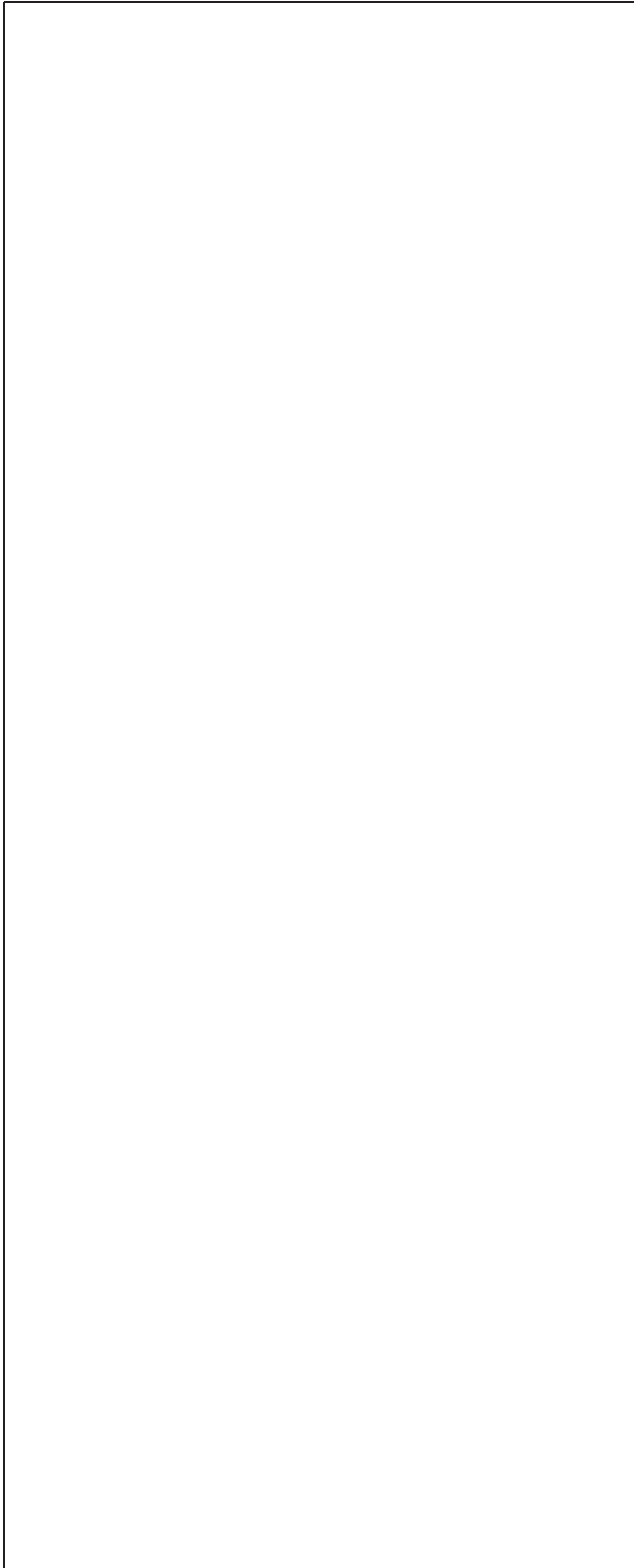
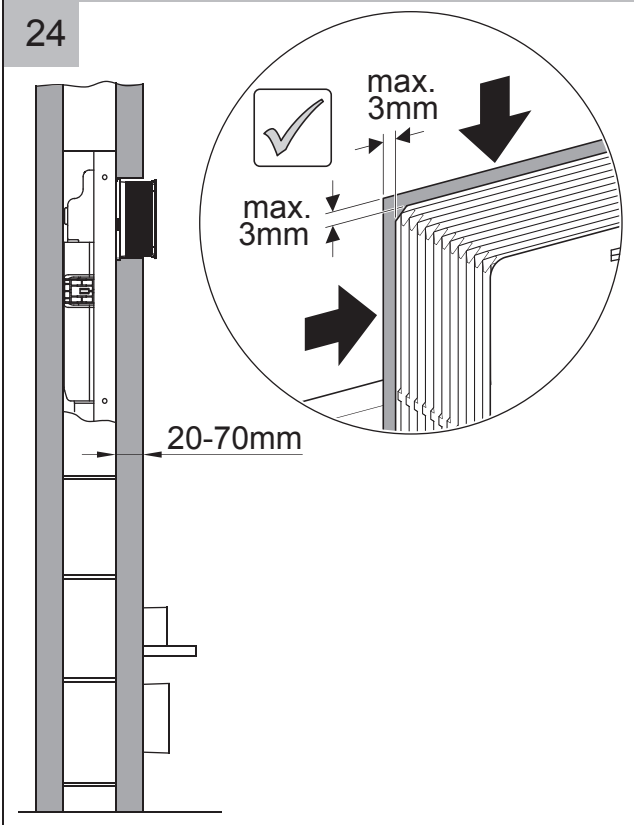
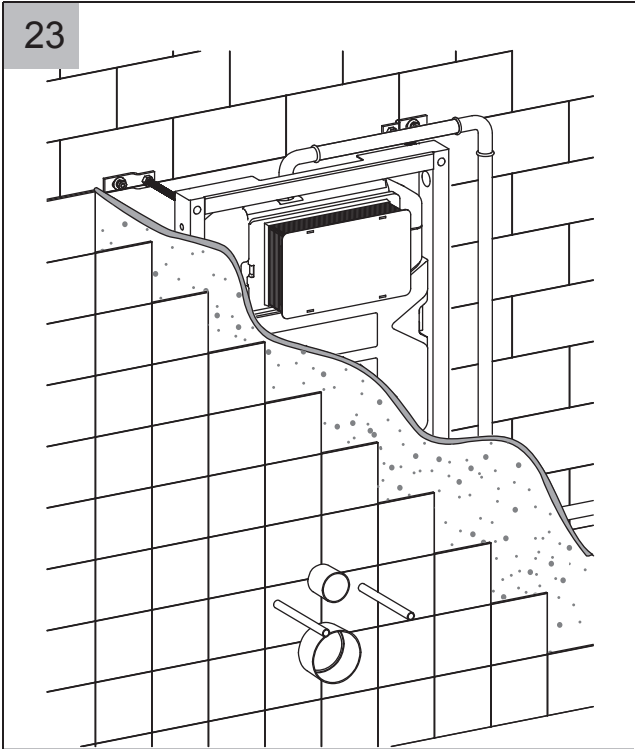
Installation



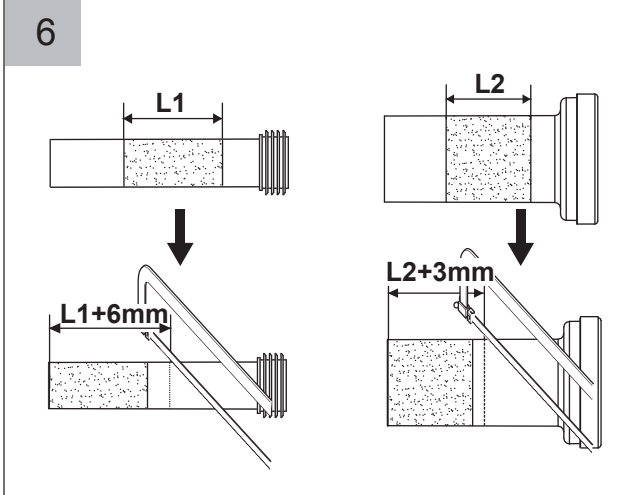
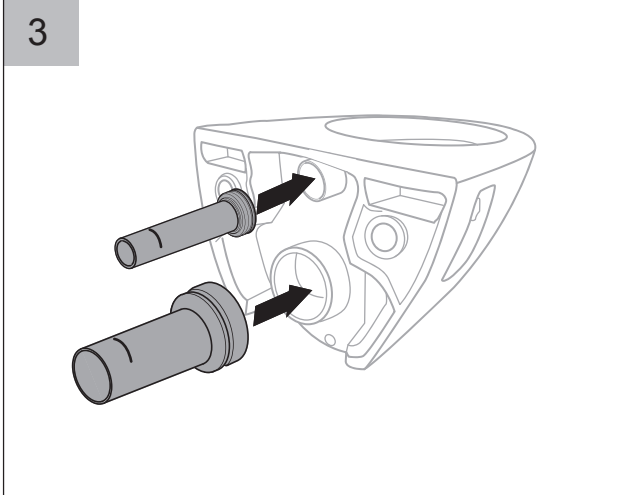
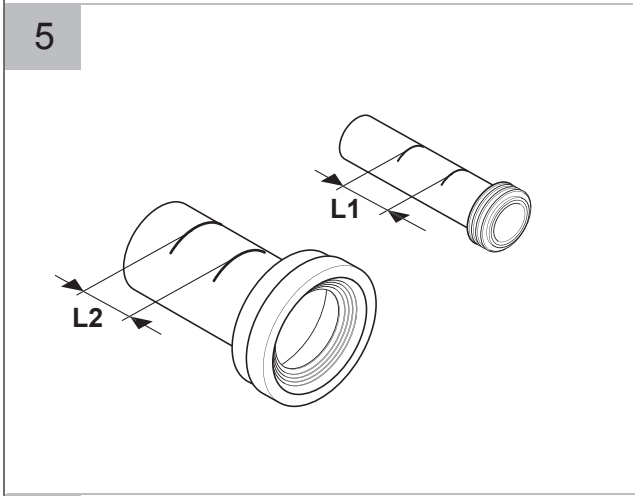
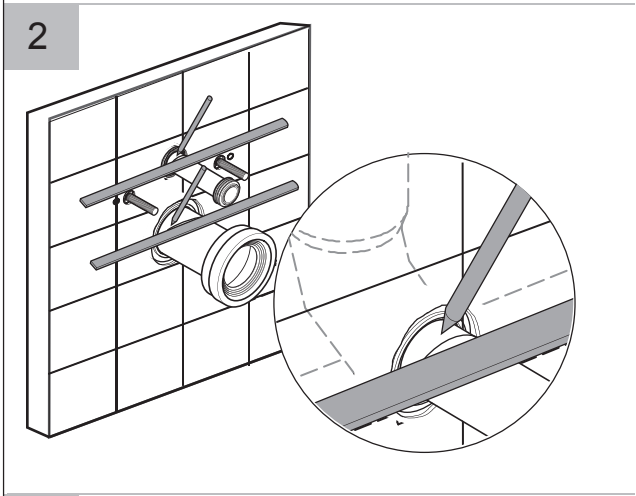
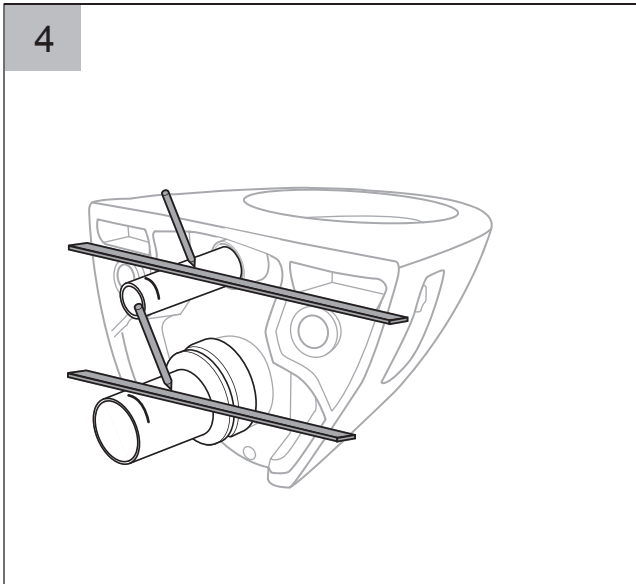
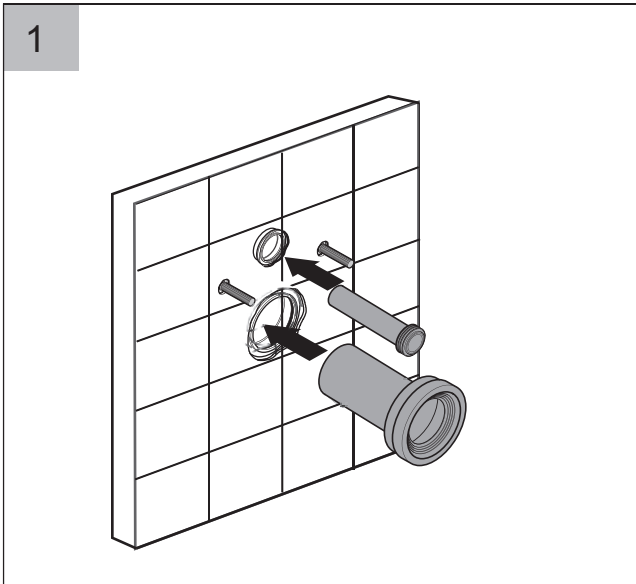
Installation



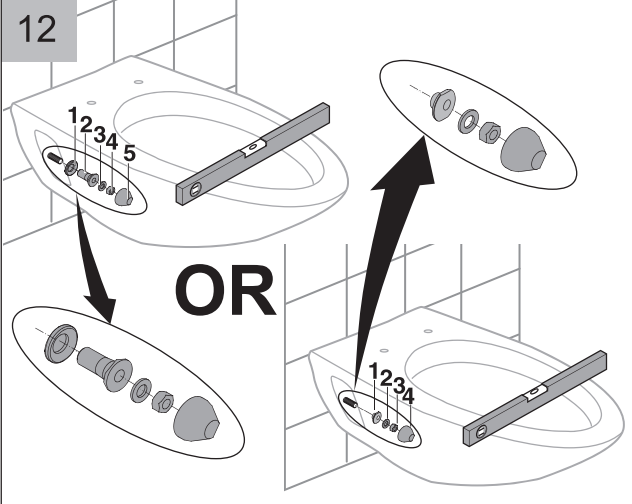
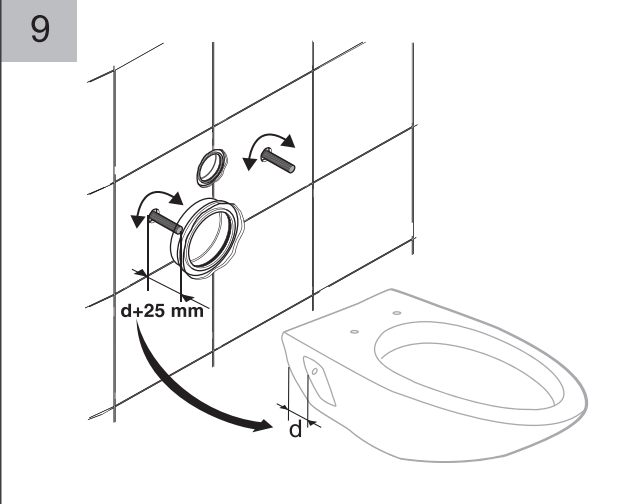
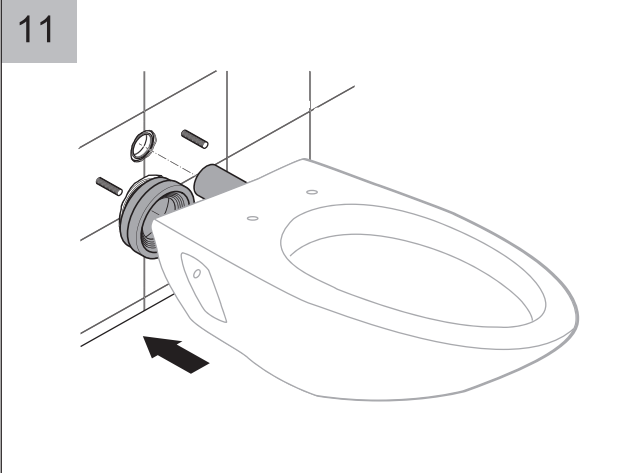
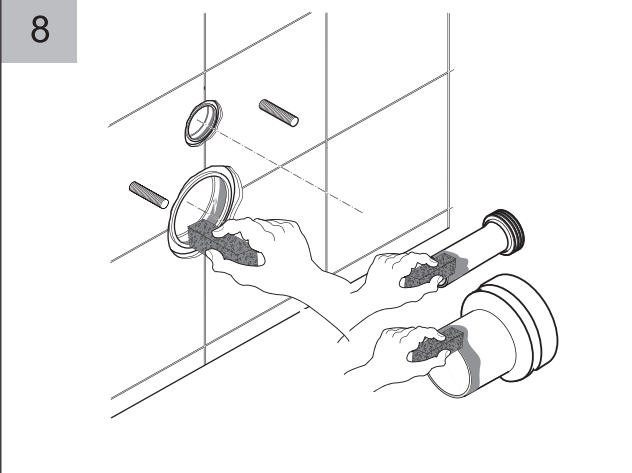
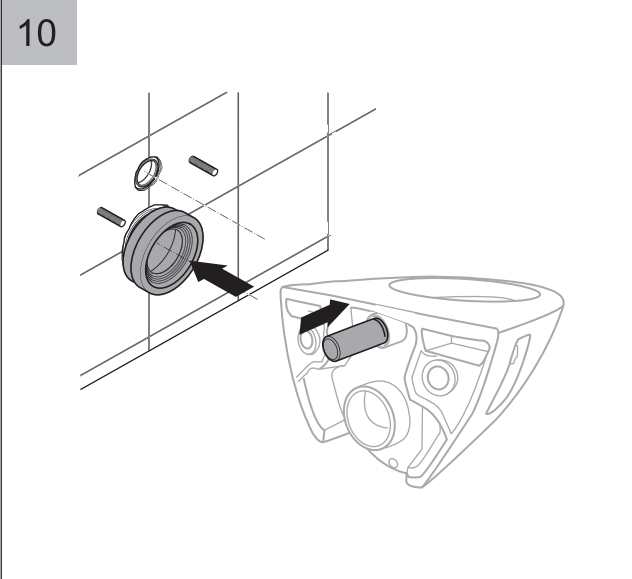
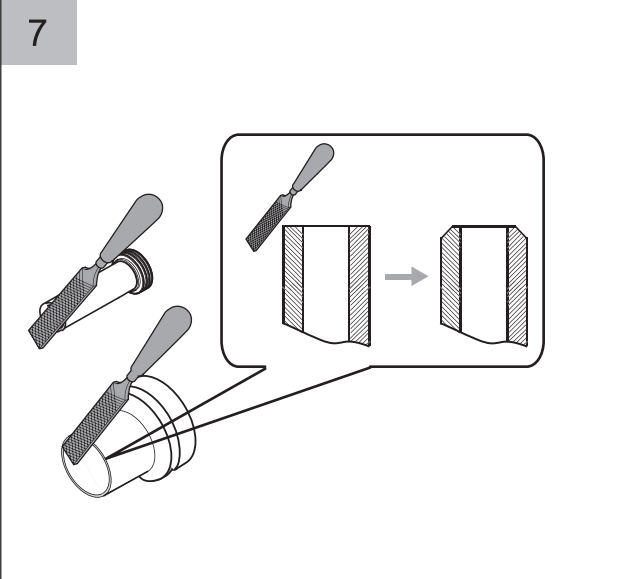
Installation



Installation



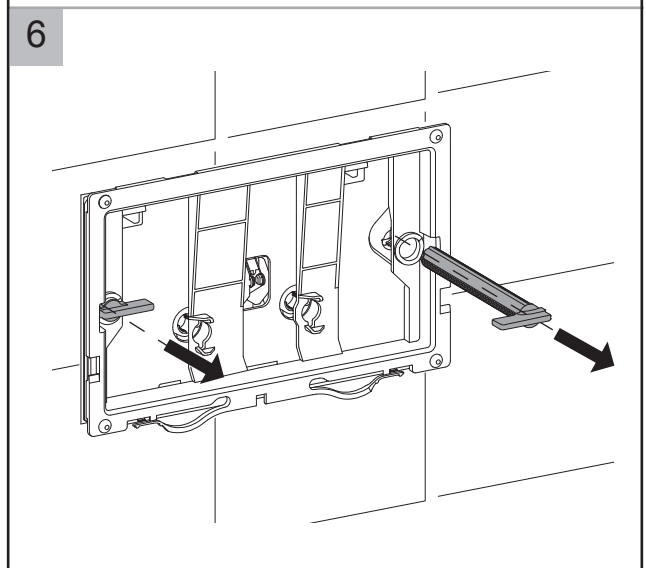
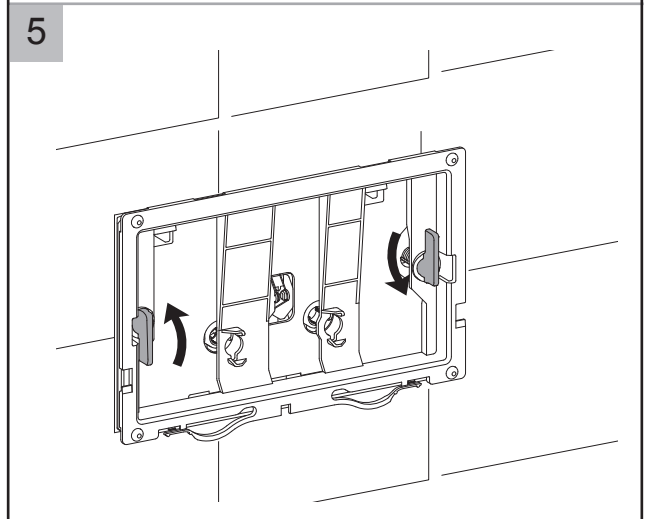
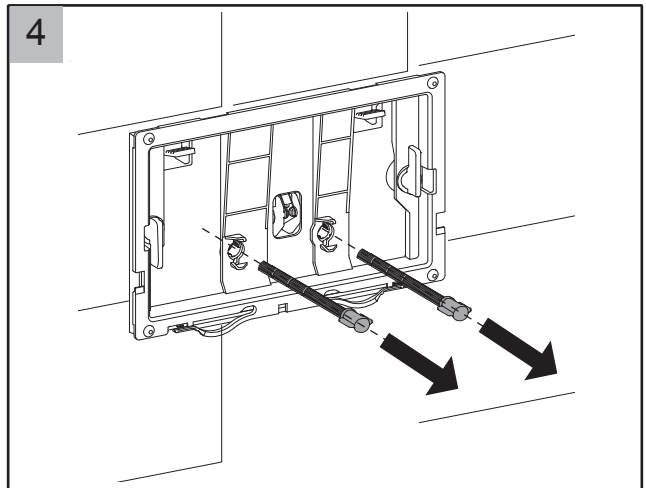
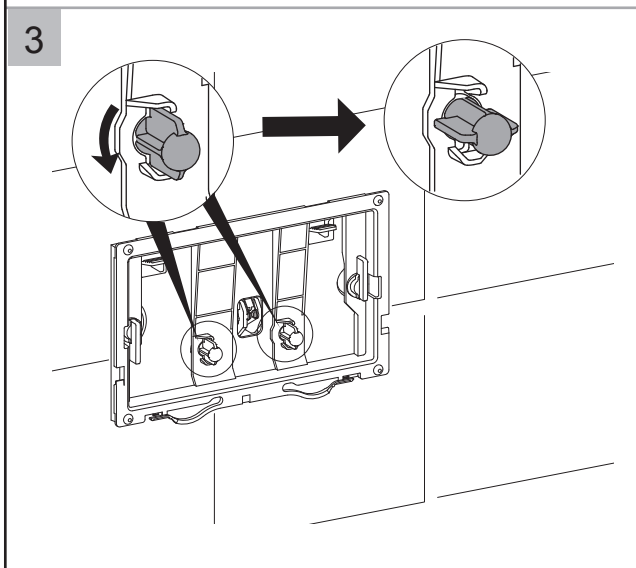
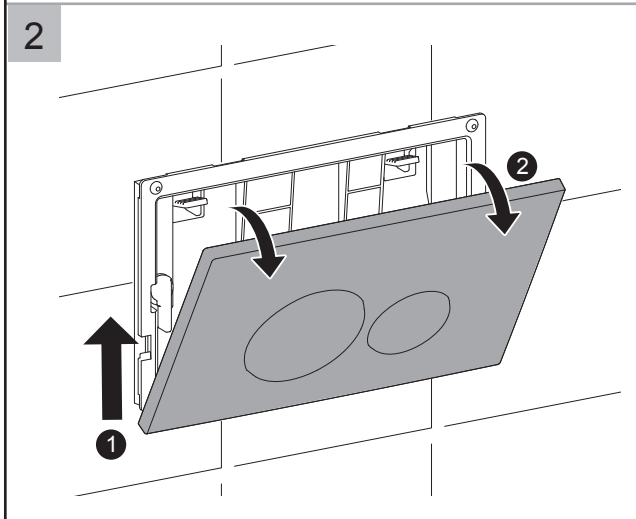
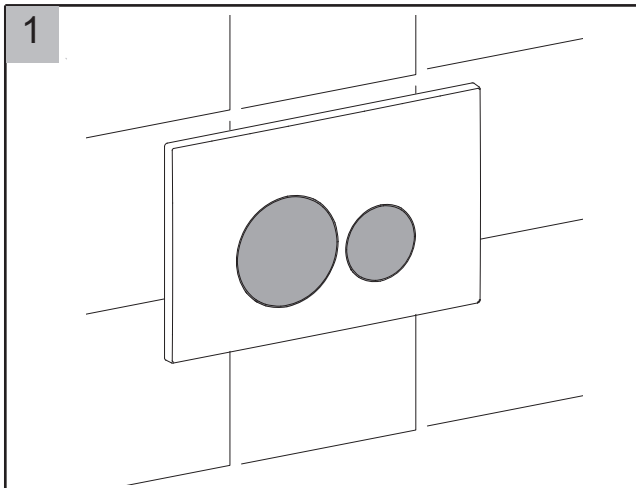
Installation



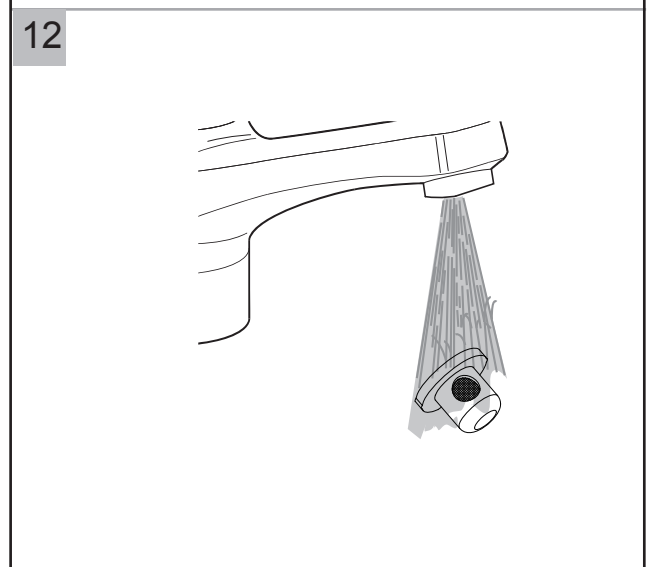
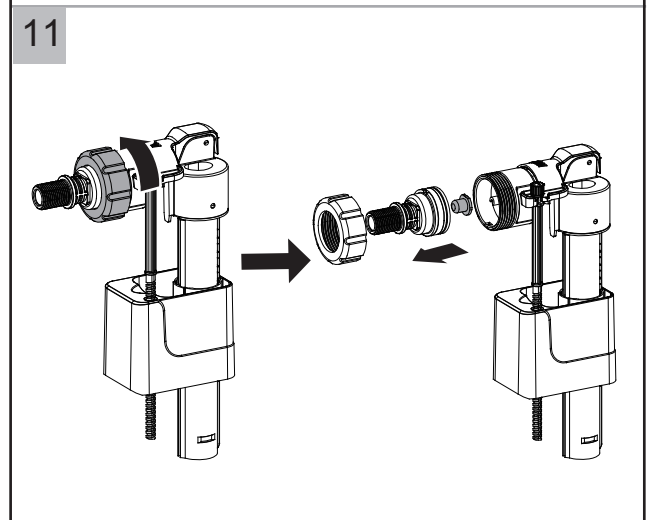
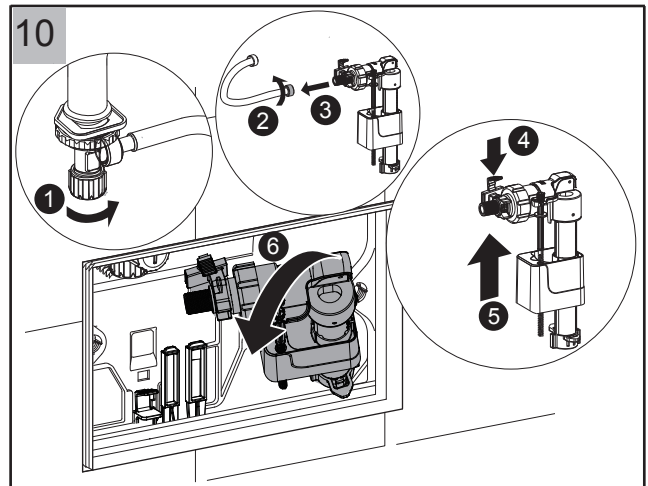
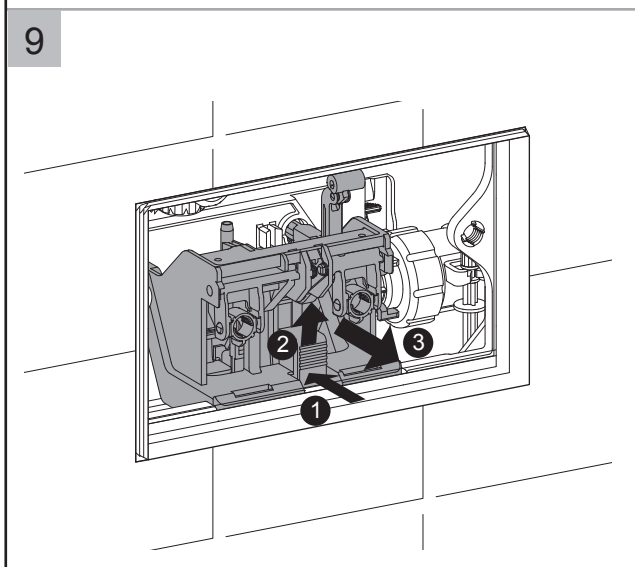
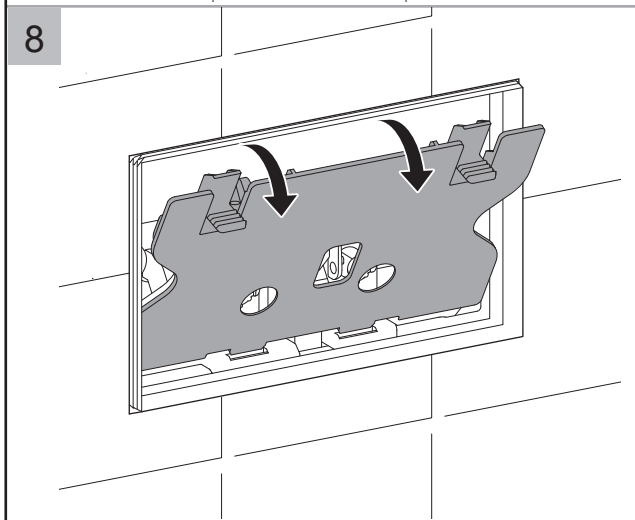
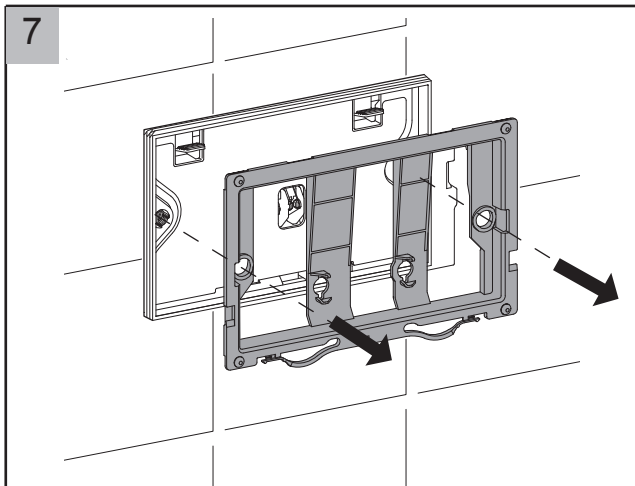
For any further information please contact
 Crosswater on: **0345 873 8840**
 Or visit our web-site at:
www.crosswater.co.uk

The manufacturer reserves the right to make technical modifications without prior notice.

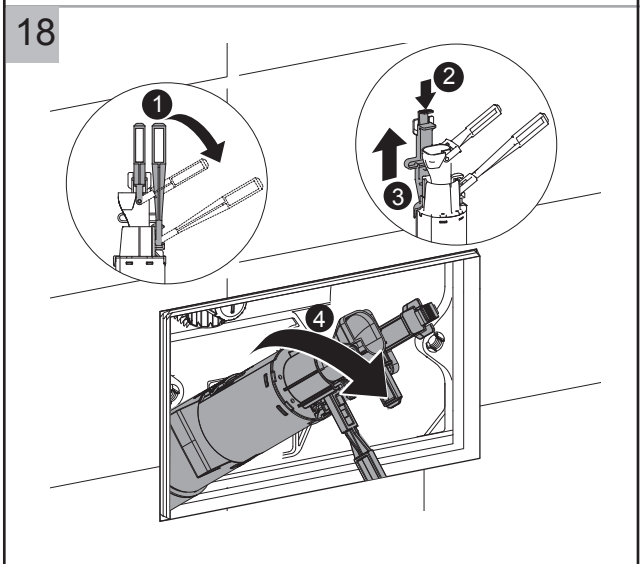
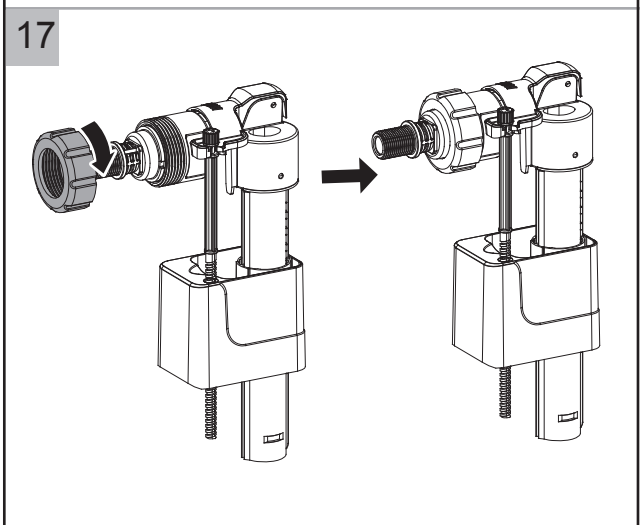
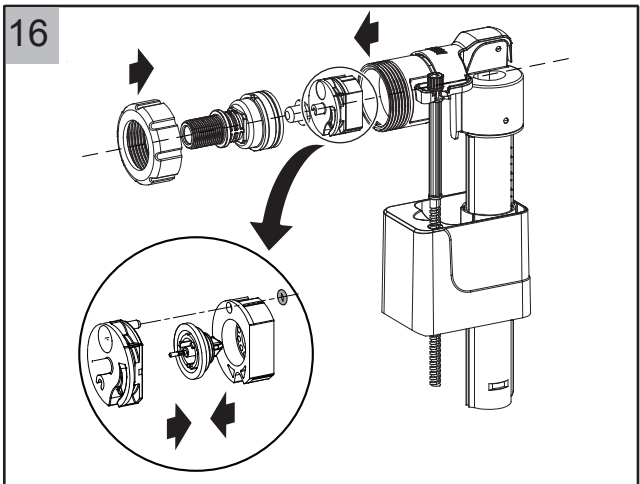
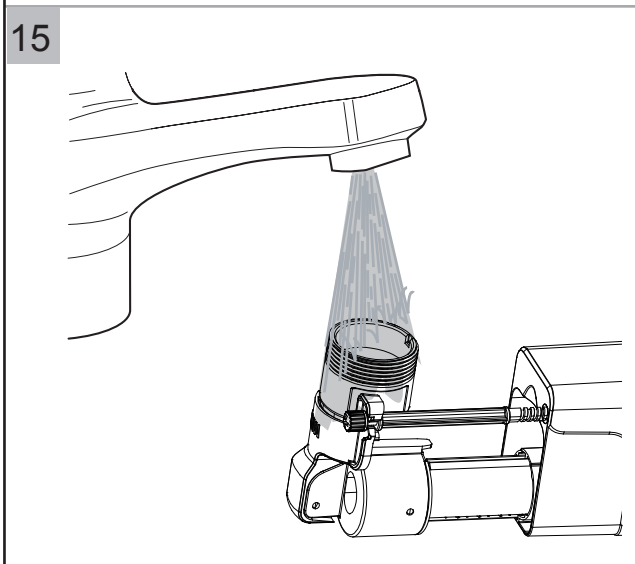
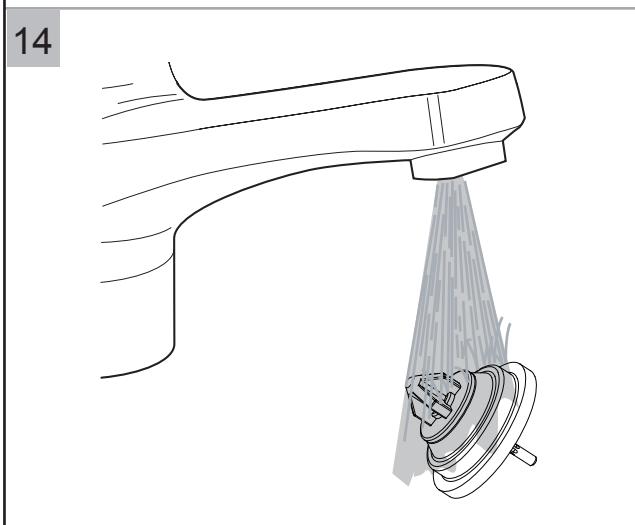
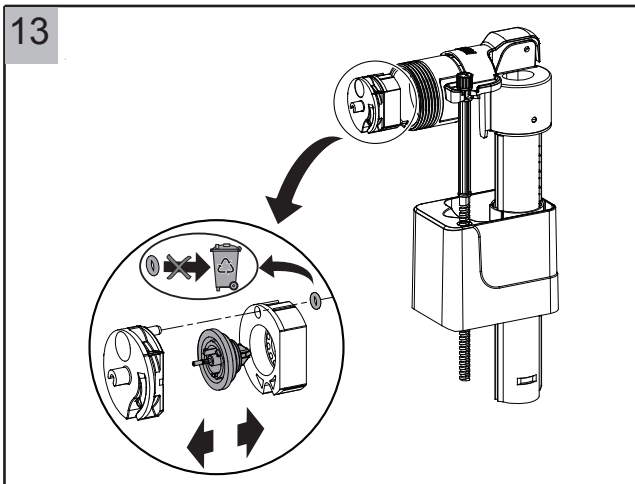
Maintenance for Concealed Cisterns



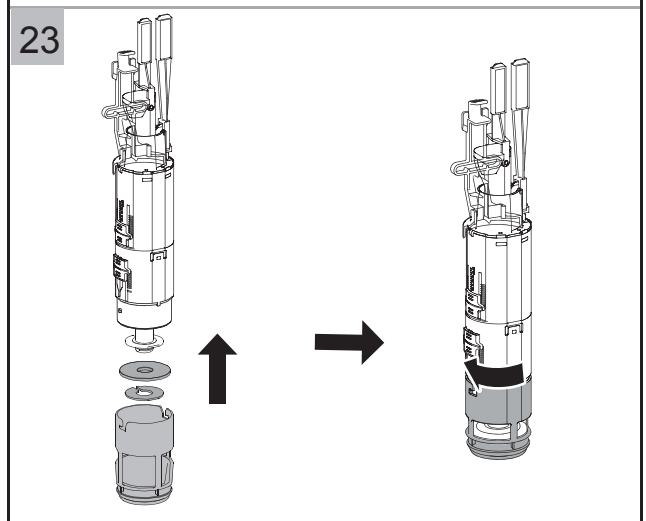
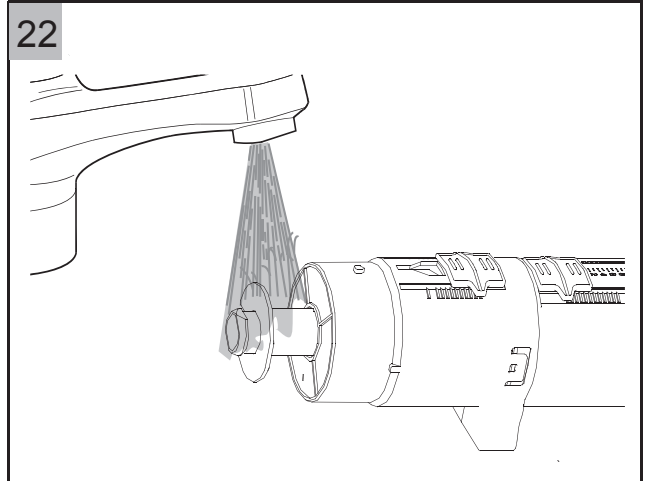
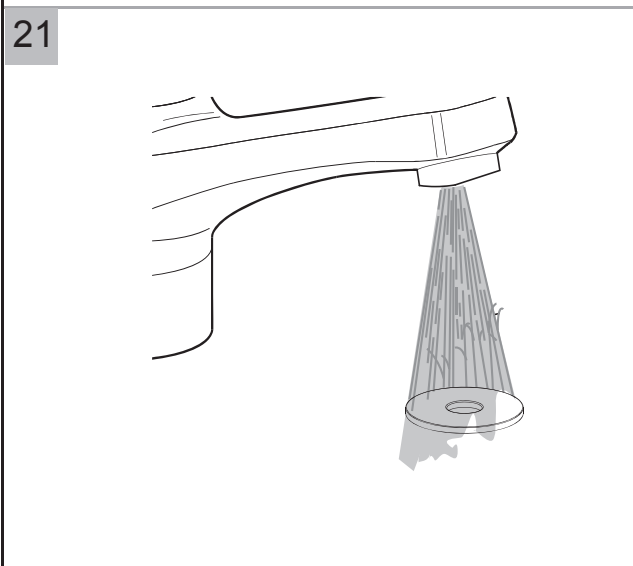
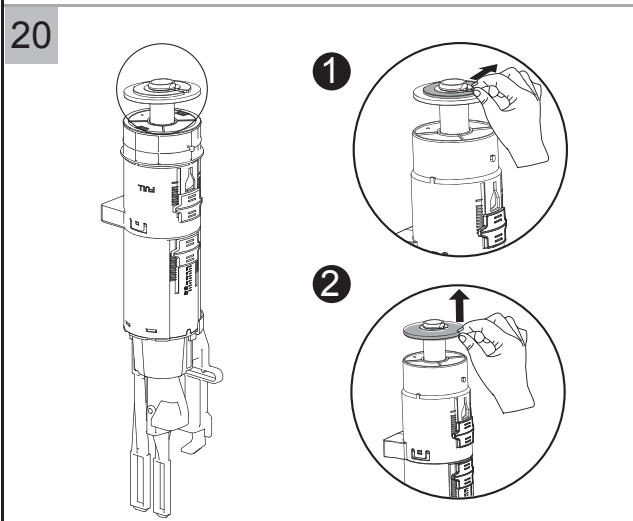
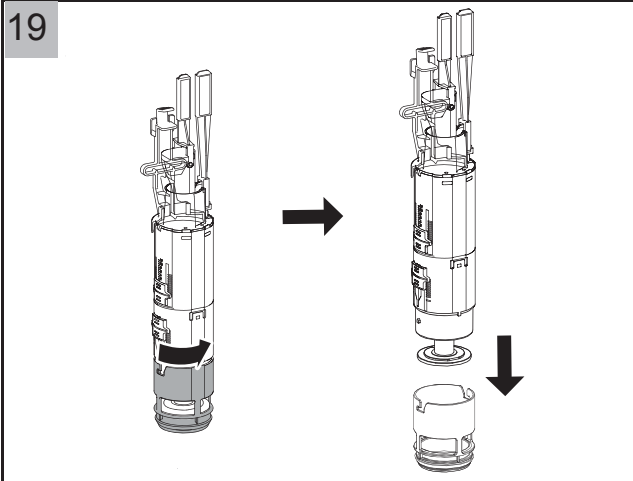
Maintenance for Concealed Cisterns



Maintenance for Concealed Cisterns



Maintenance for Concealed Cisterns



Maintenance for Concealed Cisterns

24

105±5mm

122mm

C- C+

C

Vol.	Pos.	A	B	C [mm]
6 / 3 l	3	12	43+/-1	
4.5 / 3 l	9	1	8+/-1	

OR

140±5mm

122mm

C- C+

C

Vol.	Pos.	A	B	C [mm]
6 / 3 l	2	12	47+/-1	
5 / 3 l	9	1	37+/-1	

25

1 2 3 4

"Click"

26

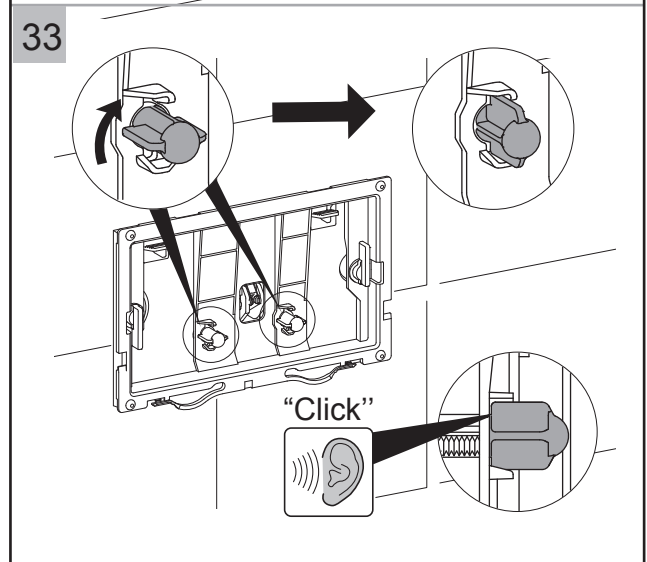
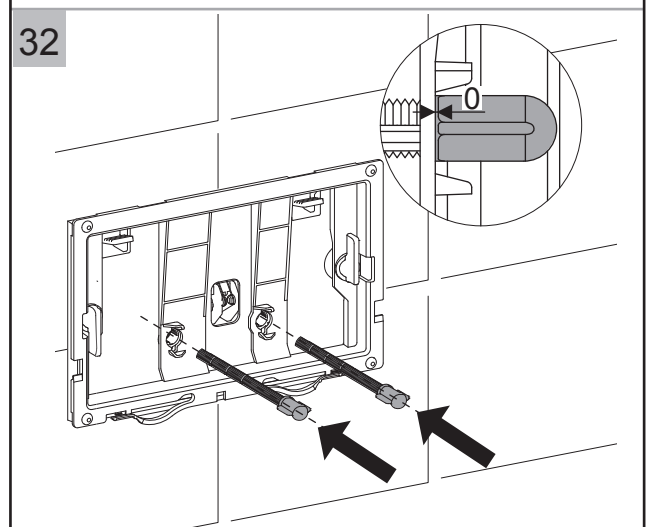
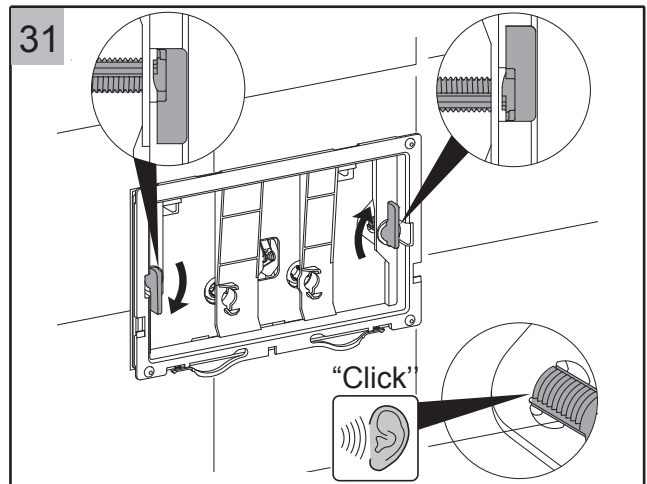
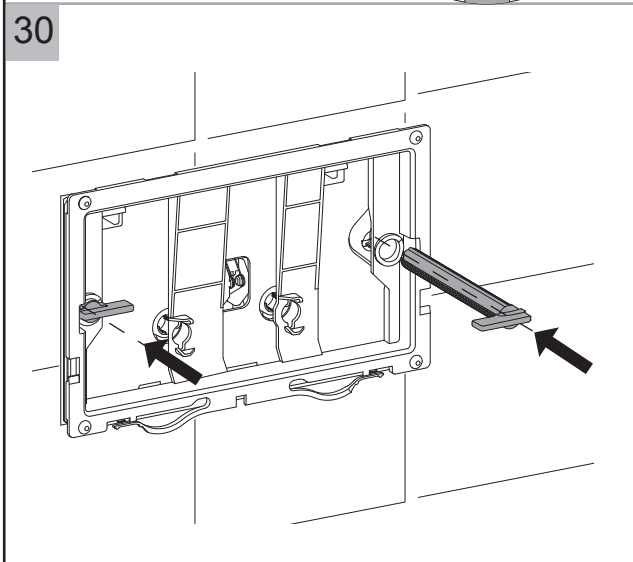
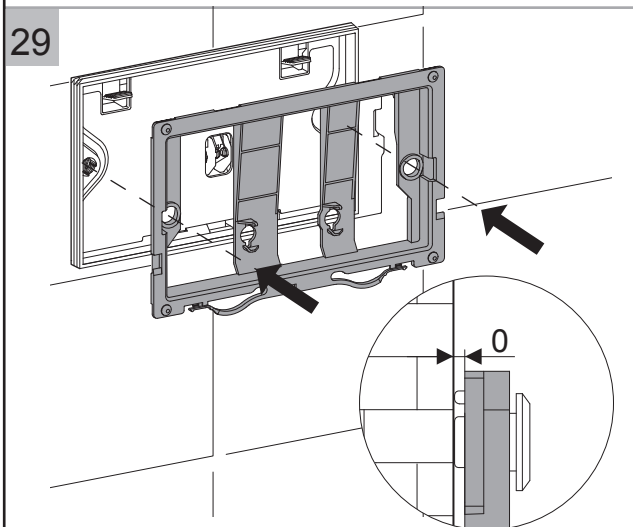
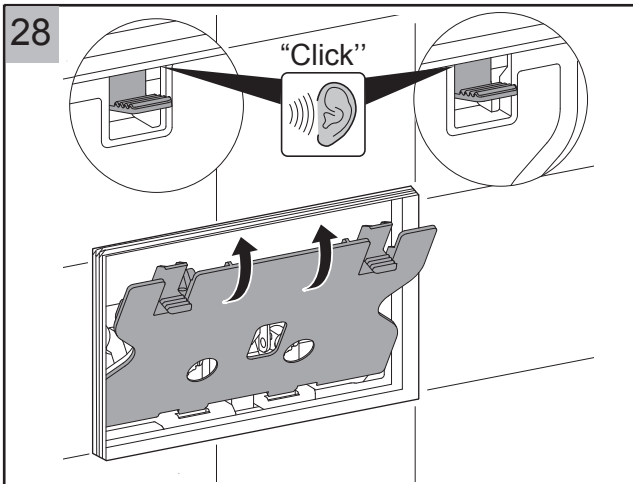
1 2 3 4 5 6

"Click"

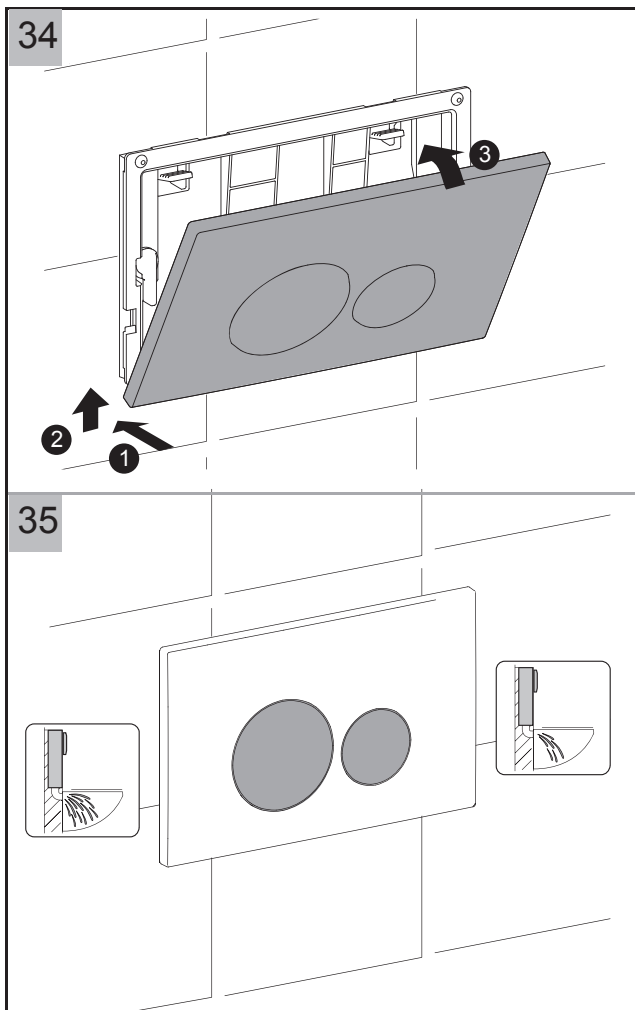
27

1 2

Maintenance for Concealed Cisterns



Maintenance for Concealed Cisterns



For any further information please contact

Crosswater on: **0345 873 8840**

Or visit our web-site at:

www.crosswater.co.uk