

Optix 10 Quadrant

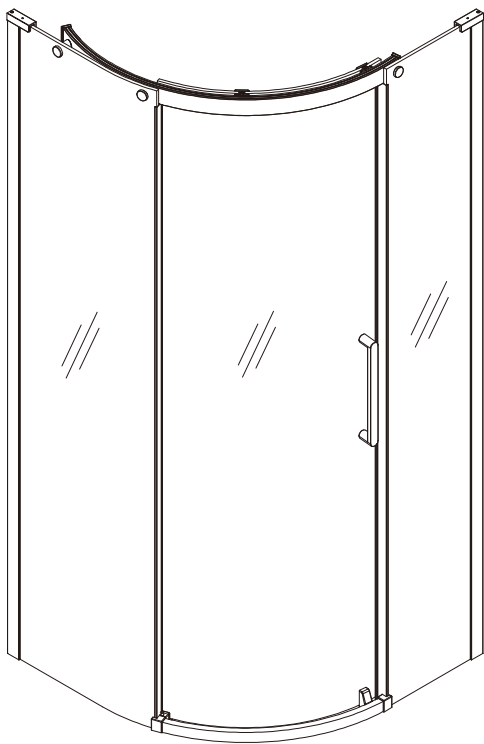
Manufactured to: BS EN 14428

IMPORTANT
BEFORE STARTING THE INSTALLATION ENSURE ALL THE DOOR SIZE MEASUREMENTS CORRESPOND WITH THE INSTALLATION AREA INCLUDING THE FINISHED TILED/PANELLED WALLS.
RETURNS DUE TO INCORRECT SIZING WILL NOT BE ACCEPTED.

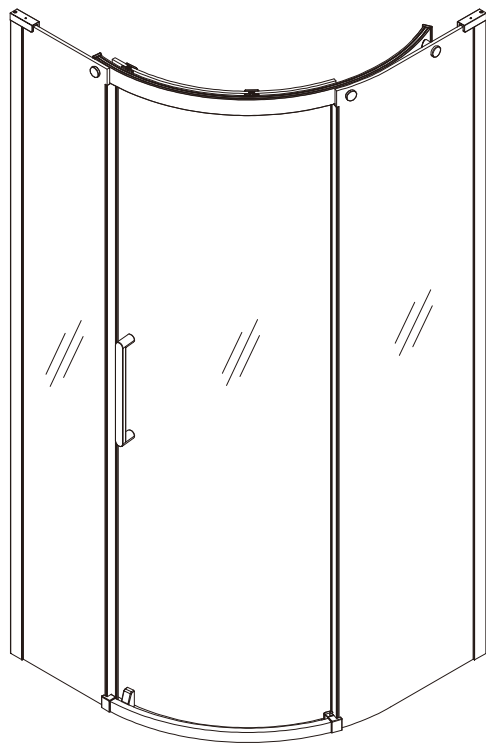


Requires a tray with minimum 60mm wide flat edge and 550mm radius.

OPTIX QUAD 900x900	94kgs
OPTIX QUAD 1000x800	92kgs
OPTIX QUAD 1200x800	103kgs
OPTIX QUAD 1200x900	109kgs

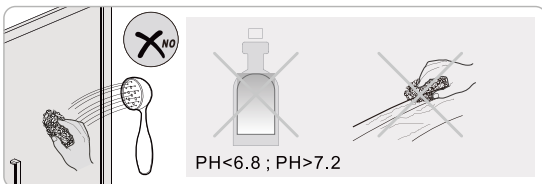
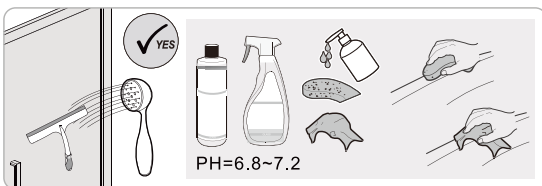


Door opens to the left



Door opens to the right

Optix 10 Quadrant



INSTALLATION INSTRUCTIONS

crosswater[®]

IMPORTANT - Please read before installation

Please read these instructions carefully before starting installation and keep in a safe place for future reference. Make a note of the model number.

Check the contents of the pack carefully before installation. Crosswater will not be held responsible for any de-fit / re-fit costs where faulty product has been fitted.

If any fault is found with materials or workmanship, it must be reported immediately to the manufacturer. Remedial action will be taken, based on information received, on condition that:

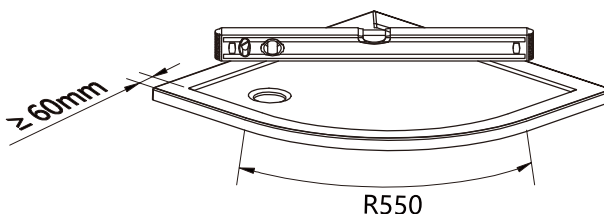
1. Full details are supplied to the manufacturer;
2. The shower door has not been modified or tampered with.
3. The supplied install components have been used,
4. The manufacturer is informed of any damage/shortages prior to installation.

We do not accept responsibility for any problems that may occur through incorrect installation.

The success of the installation and operation of any shower door is, of course, dependant on the squareness, alignment and construction of the walls to which fixing is to be carried out.

VERY IMPORTANT

You must complete all tiling and grouting, and the shower tray **MUST** be level and fully sealed to the tiles before installation. If you do not fit the shower door onto a tiled surface, or seal the tiles to the tray before installation, water may enter into the wall behind the wall profiles.



Optix quads require a shower tray with minimum 60mm flat/level outside edge. and 550mm radius.

The shower waste needs to be fitted in accordance with manufacturer's guidelines.

INSTALLATION - Advise and safety

The installation instructions are based on typical use and conditions.

All doors are designed to open outwards only.

Ensure that the product can be fixed to a solid masonry/brick wall or suitable timber stud work grade C16-C24 in the area behind the wall profile and wall brackets.

These hints have been prepared for your guidance, you must exercise due care at all times.

For Health and Safety 2 people must carry out the installation of this shower enclosure.

Handle glass with care. Although the glass supplied is toughened safety glass(EN12150), impacts can damage both the glass and the frame.

If fitting a tray we recommend a drainage test is carried out before the tray is tiled in position.

Warning!

Please check for any hidden pipes or cables before drilling holes in the wall.

When using power tools always follow the manufacturers user instructions.

Leave the silicone sealant to dry for 24 hours before using the shower door.

CARE AND CLEANING

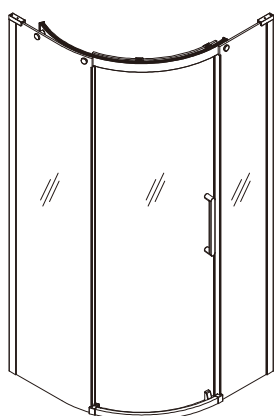
Do not use solvents or abrasive material or chemicals to clean the shower door.

Only clean using soapy water and soft cloth, rinse thoroughly afterwards.

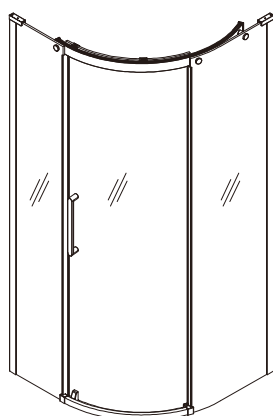
INSTALLATION - Left and Right hand

The door has left and right hand versions.

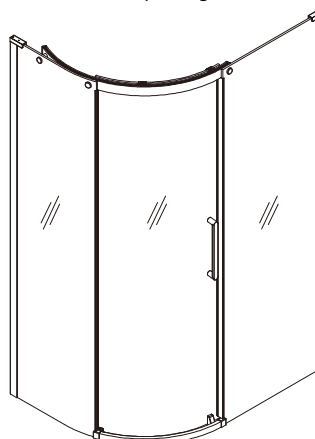
This instruction shows the RIGHT HAND installation. Reverse for LEFT HAND opening.



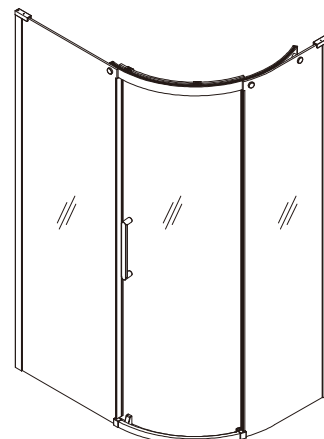
Door opens to left



Door opens to right

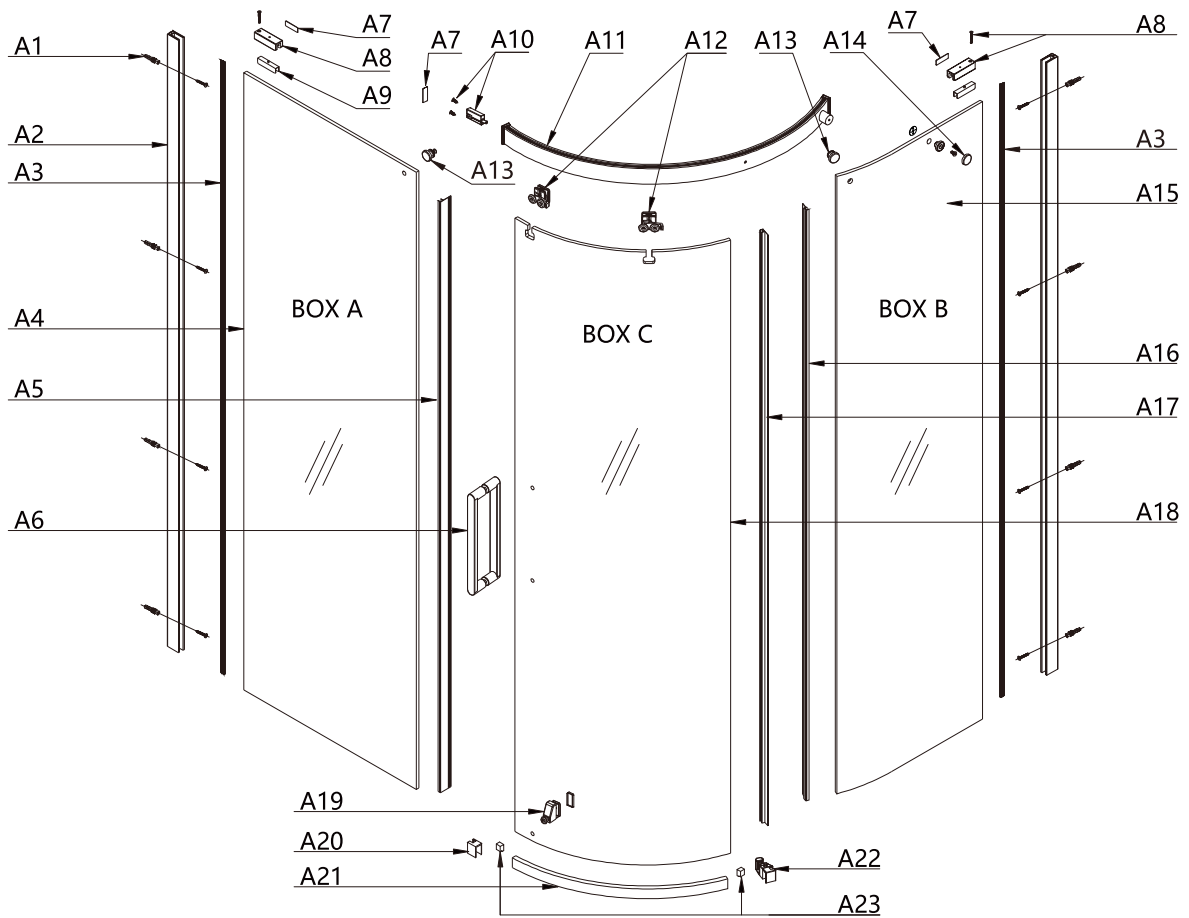







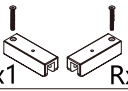

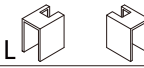

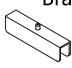
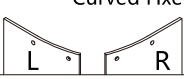
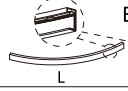

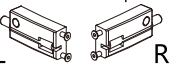







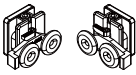


Door opens to left



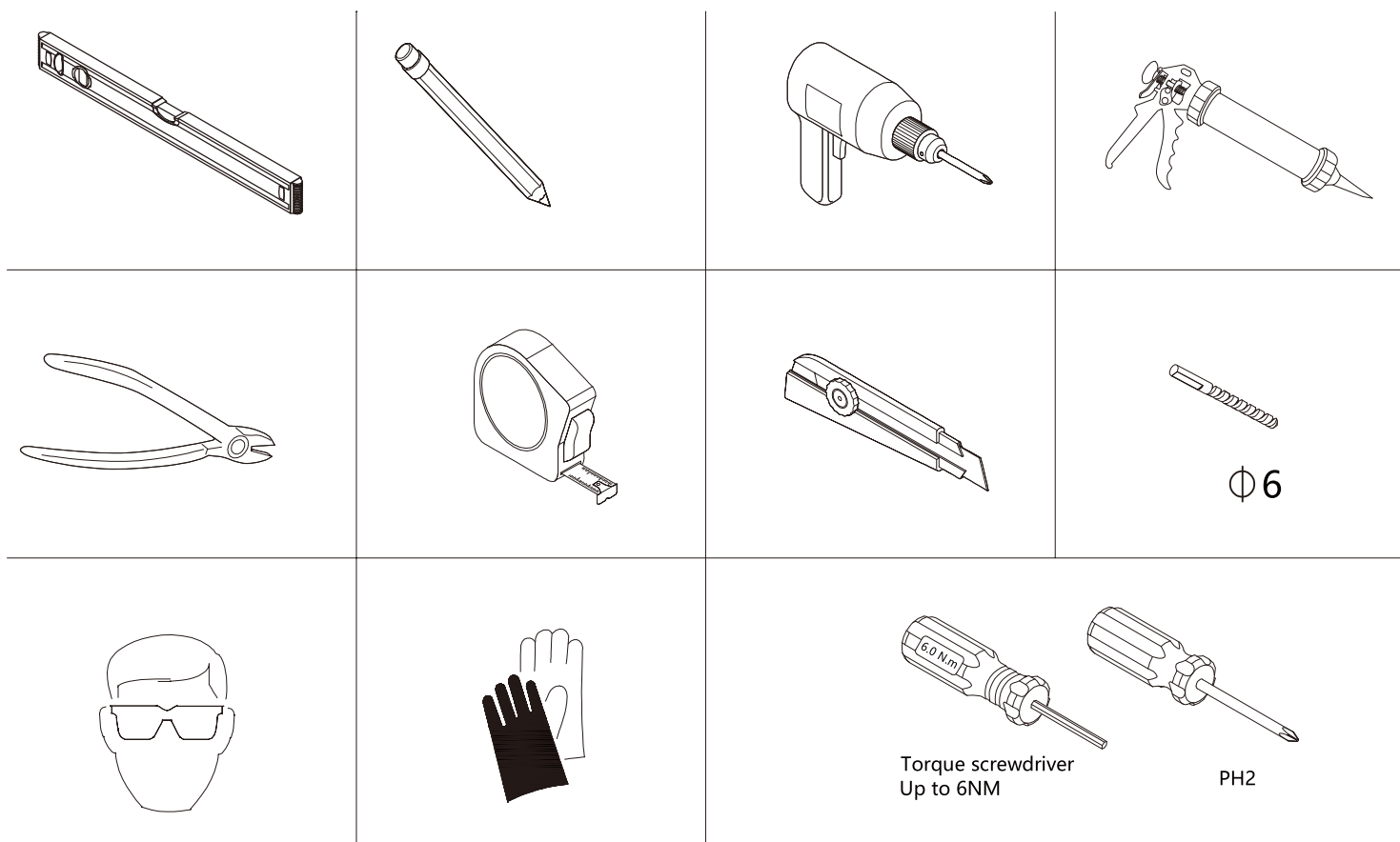
Door opens to right

Optix 10 Quadrant



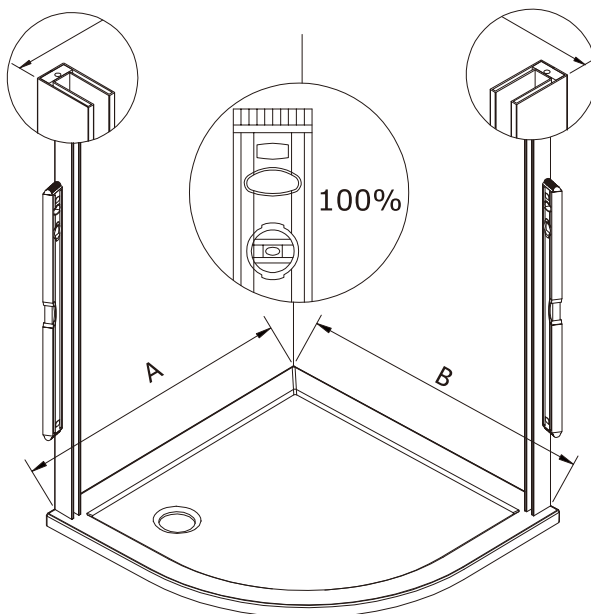
A 1	Wall plug and 4x50mm screw  8+8	A 7	Bracing Bar Screw Cover  x3	A 13	Top Rail Fixing Pin  x2	A 19	Bottom roller  x1 <small>Replacement roller with spring x1* Only required if the door is out of alignment see page 10</small>
A 2	Wall profile  x2	A 8	Bracing bar Lx1 Rx1 	A 14	Top Rail Fixing Pin Cover  x1	A 20	Bottom profile cap L Rx1 
A 3	Wall profile seal  x2	A 9	Bracing bar gasket  x2	A 15	Curved Fixed Panel L R x1 	A 21	Bottom Profile L R x1 
A 4	Flat fixed Glass L R x1 	A 10	Top rail soft damper L Rx1 	A 16	Fixed Curved Panel Vertical Seal  x1	A 22	Bottom guide L Rx1 
A 5	Flat Glass Seal  x1	A 11	Top Profile L R x1 	A 17	Moving Curved Glass Vertical Seal L=1930mm  x1	A 23	Bottom Profile Spacer  x2
A 6	Handle  x1	A 12	Top roller  x2	A 18	Curved Moving Panel L R x1 	A 24	Allen key 2mm x1 2.5mm x1 3mm x1 4mm x1 5mm x1 

Installation tools required - not included



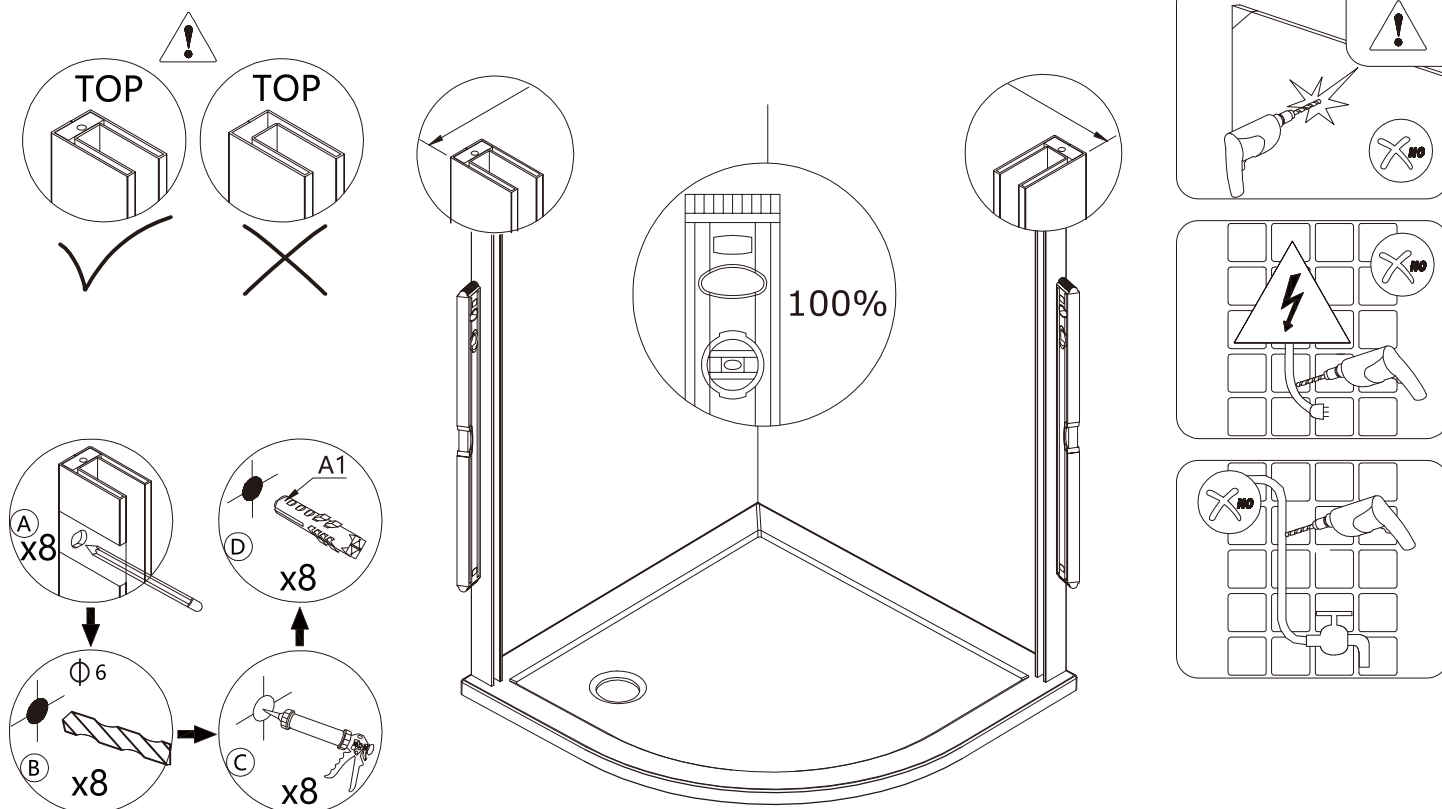
Step 1

LH	A	B
900x900	860-880mm	860-880mm
1000x800	960-980mm	760-780mm
1200x800	1160-1180mm	760-780mm
1200x900	1160-1180mm	860-880mm

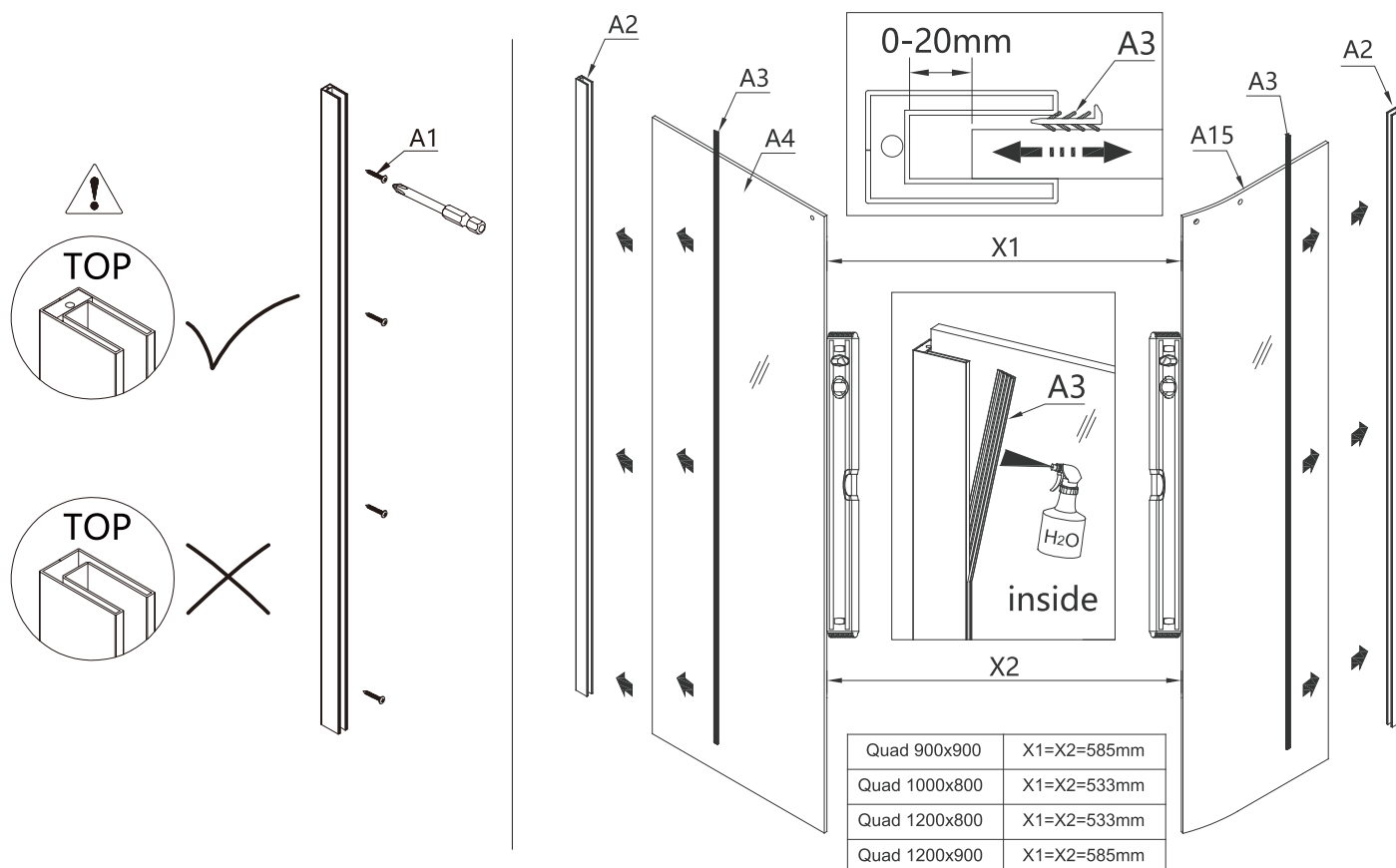


RH	A	B
900x900	860-880mm	860-880mm
1000x800	760-780mm	960-980mm
1200x800	760-780mm	1160-1180mm
1200x900	860-880mm	1160-1180mm

Step 2

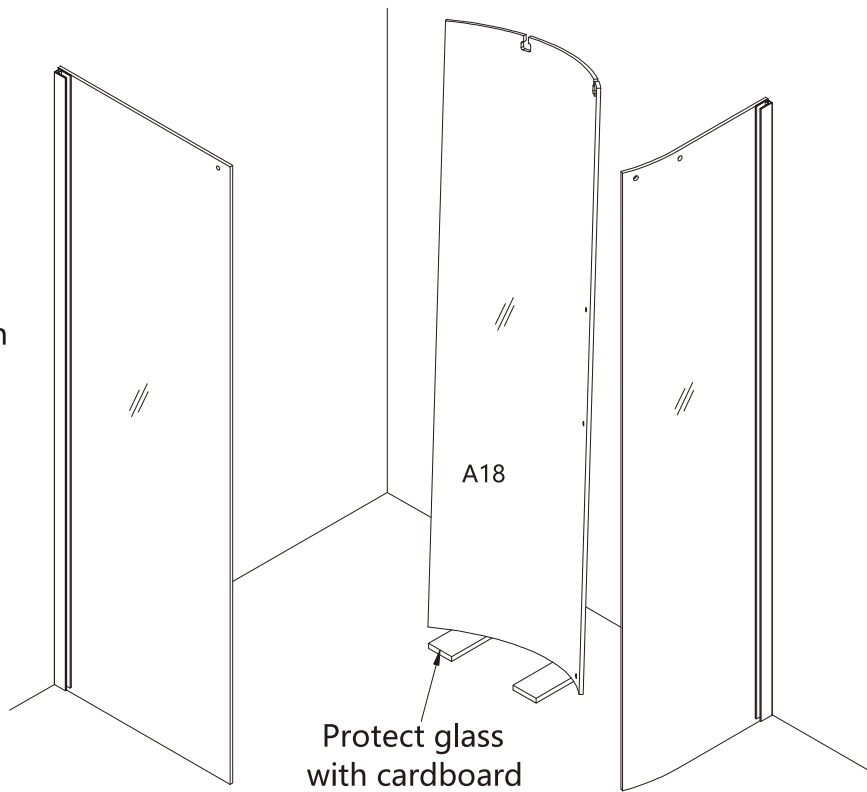


Step 3



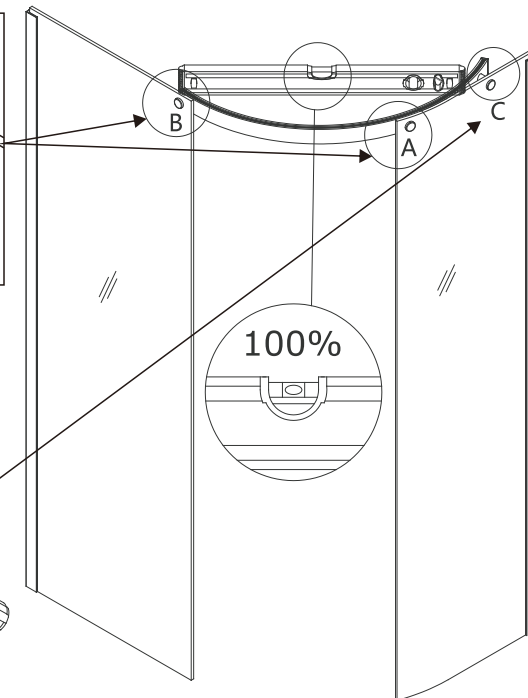
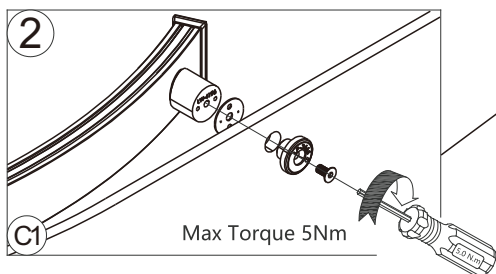
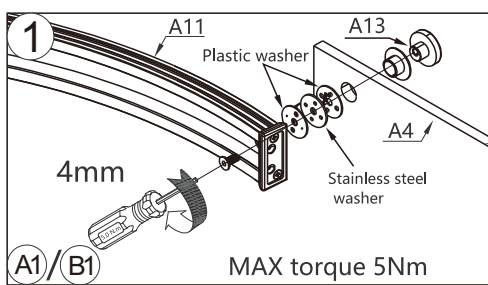
Step 4

Right Hand Shown

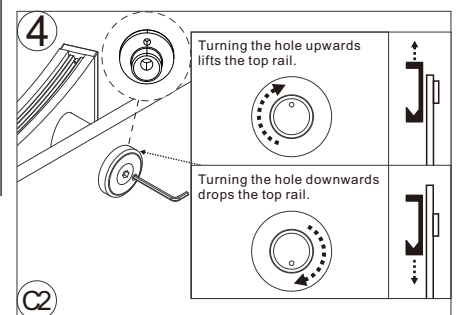
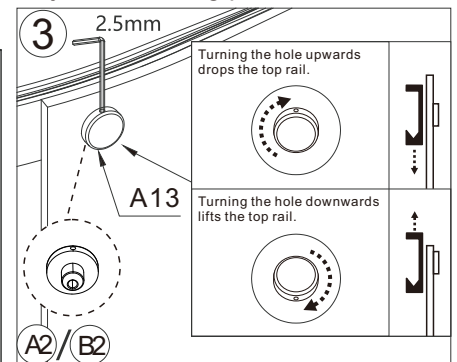


Step 5

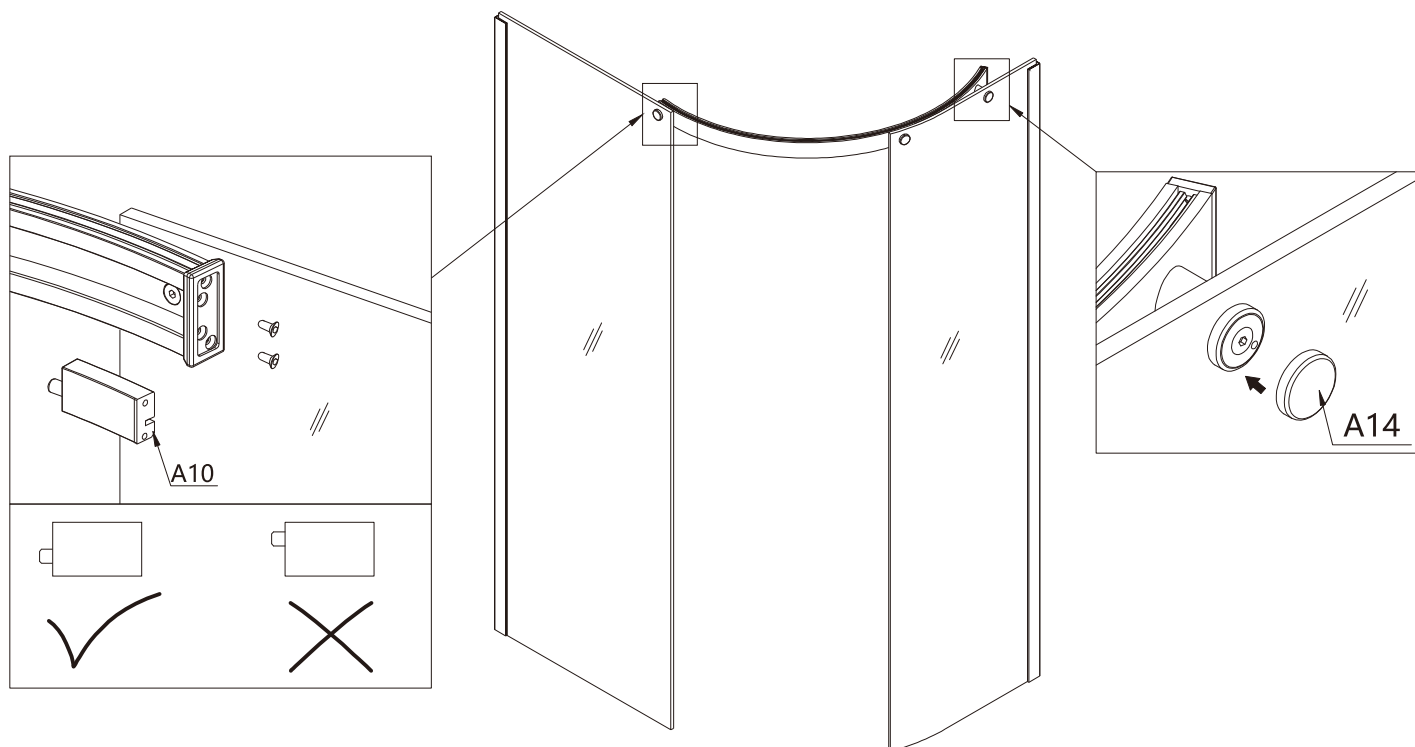
Note: do not fully tighten screws until the top rail is level.



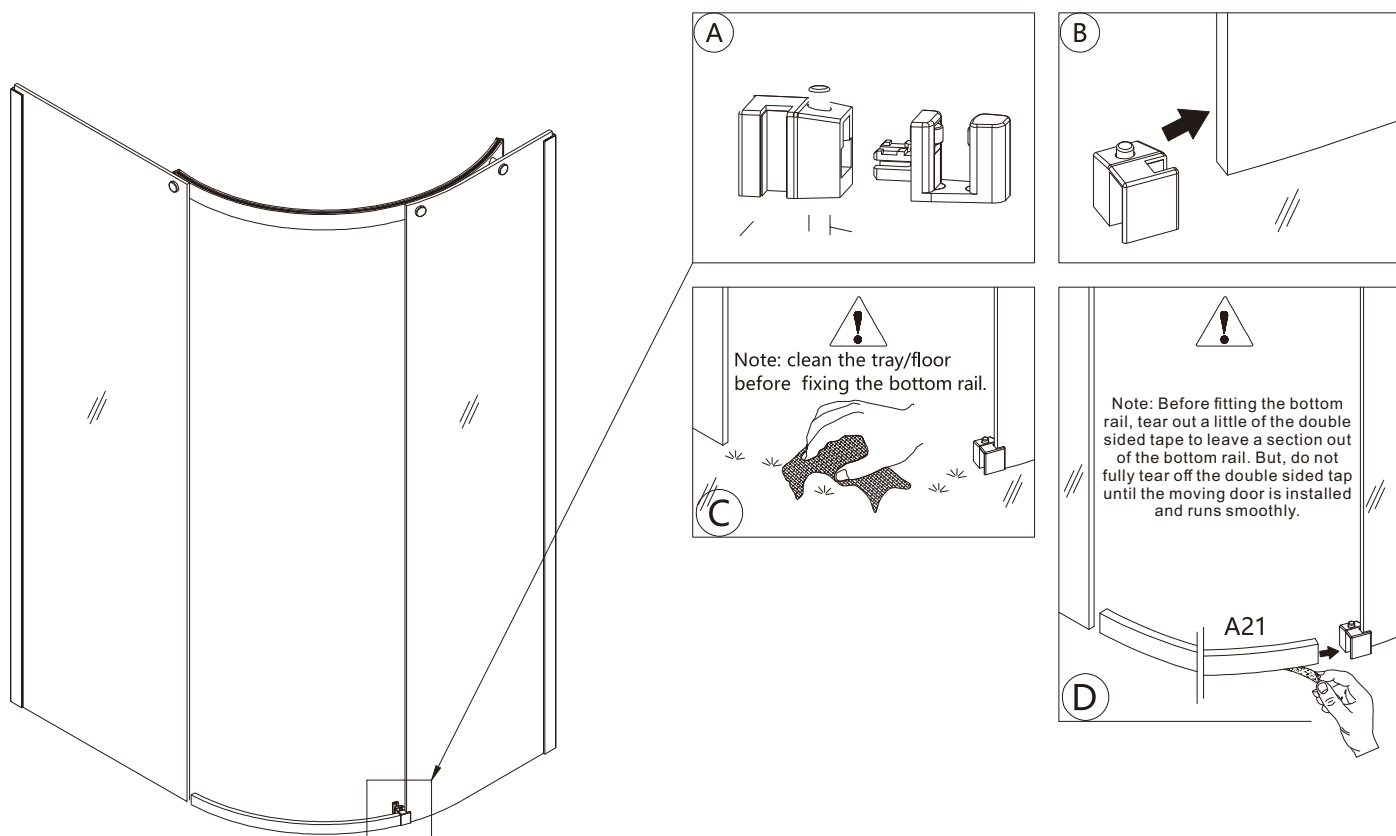
Adjust the fixing pin if needed.



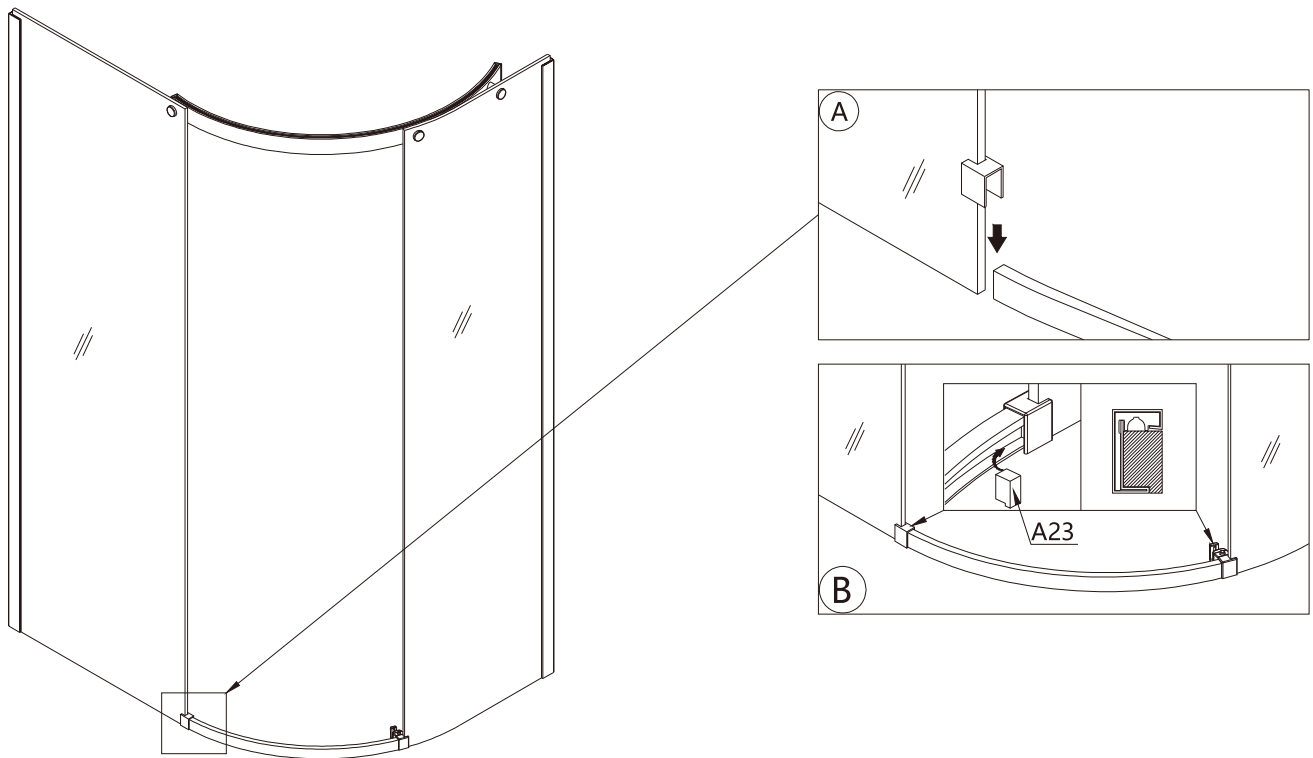
Step 6



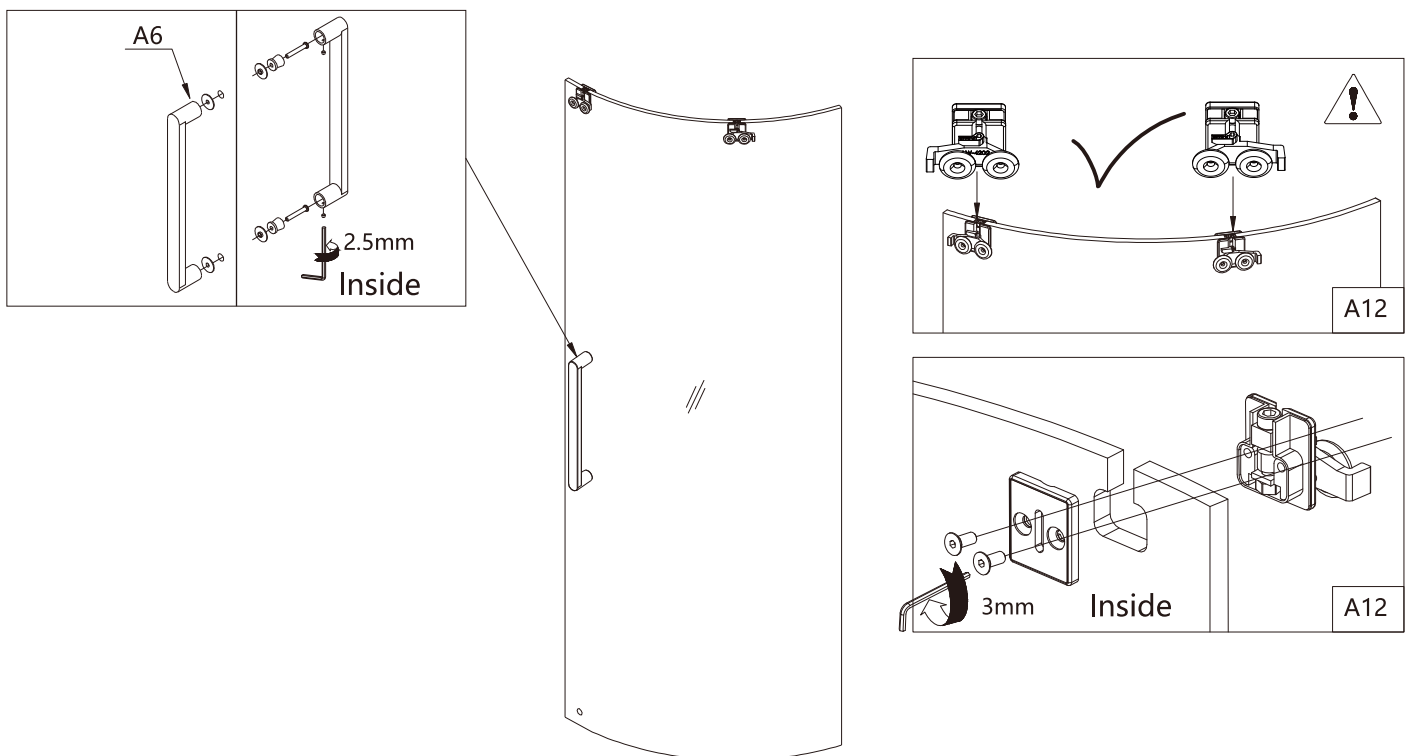
Step 7



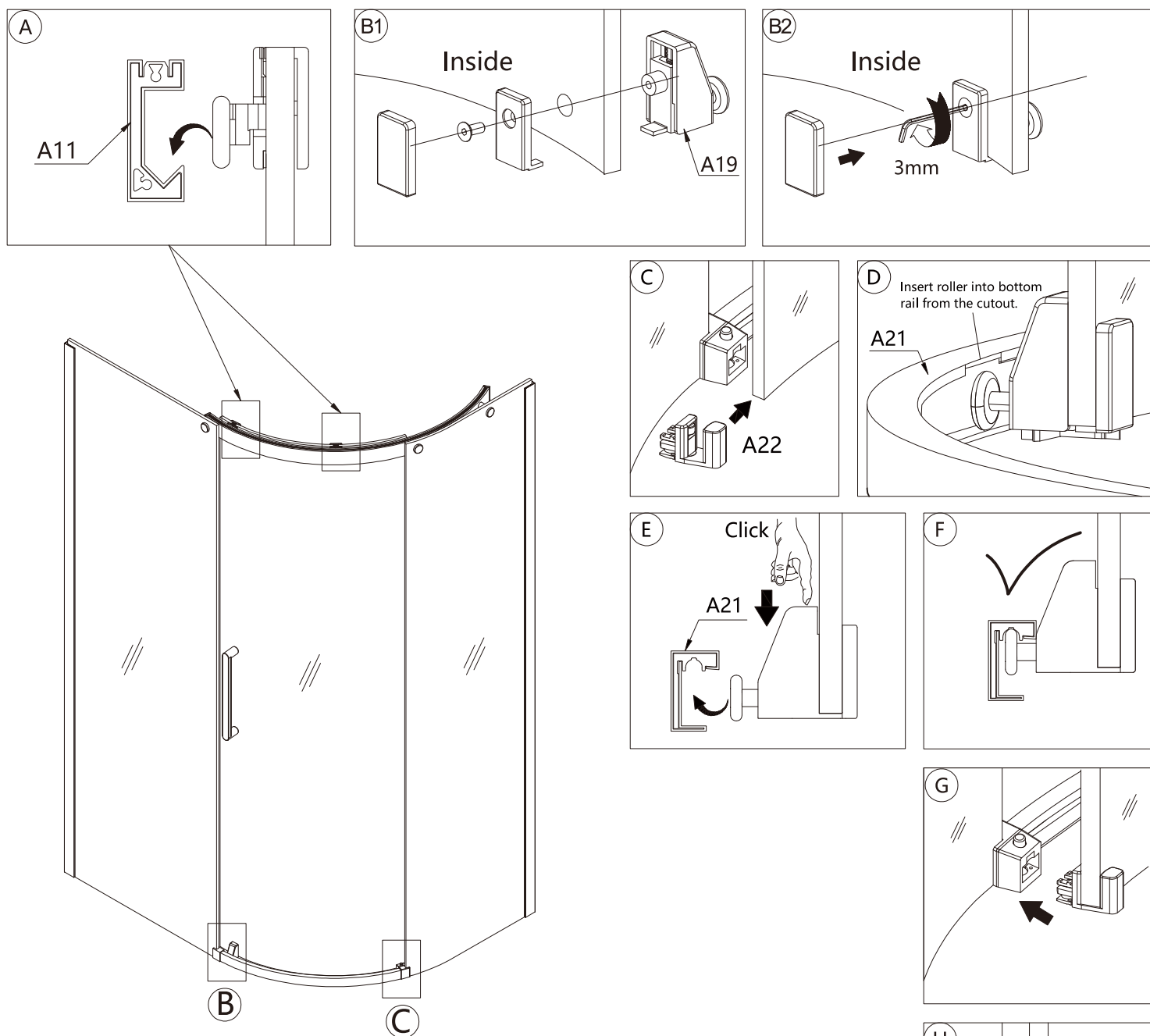
Step 8



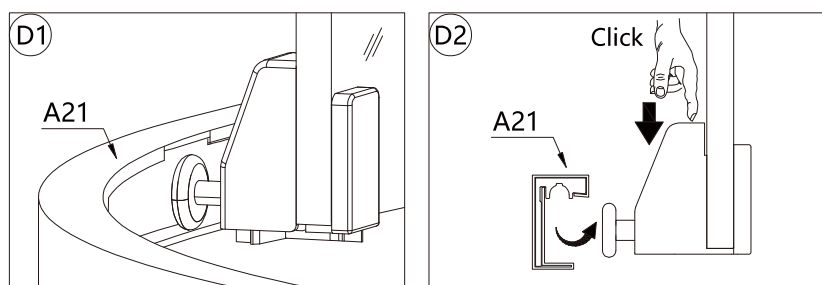
Step 9



Step 10

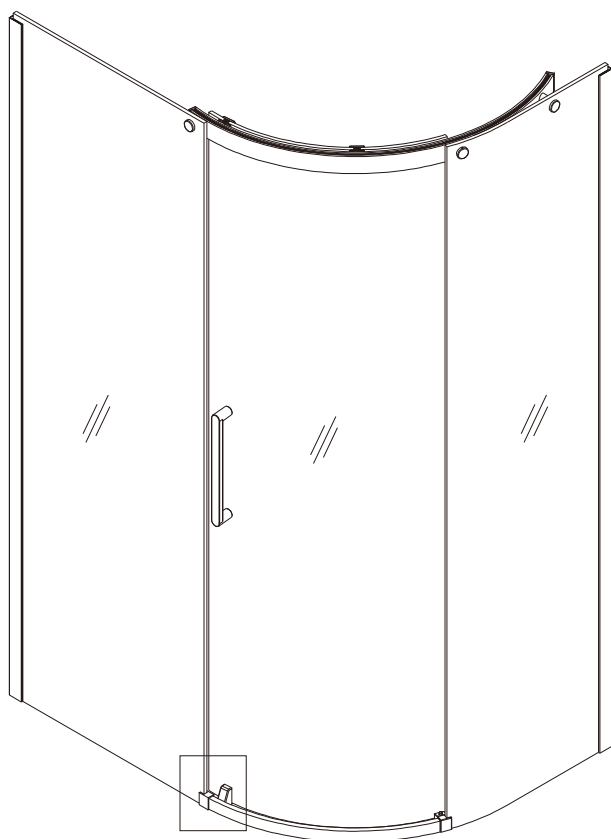
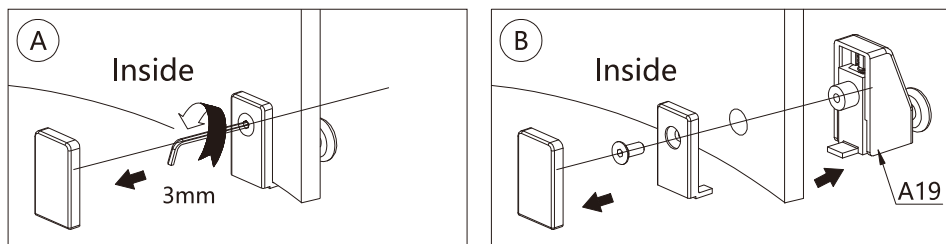


If door adjustment is needed, follow the below steps to take out the bottom roller from the bottom rail.

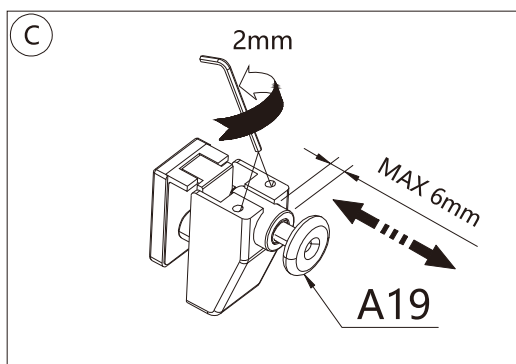


Step 11

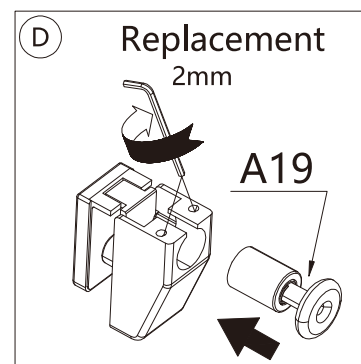
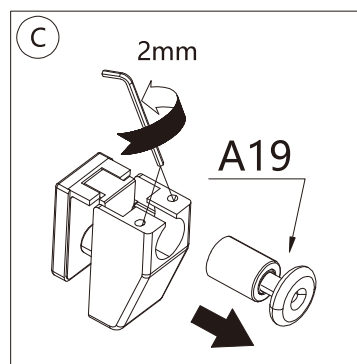
If the door doesn't run smoothly, please follow the below steps to adjust.



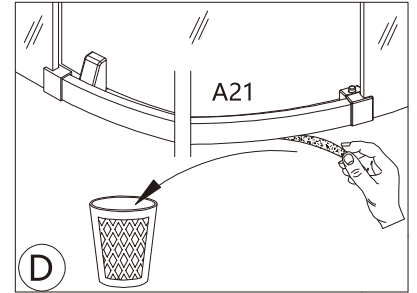
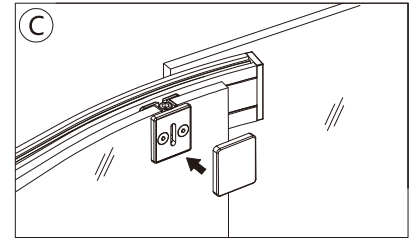
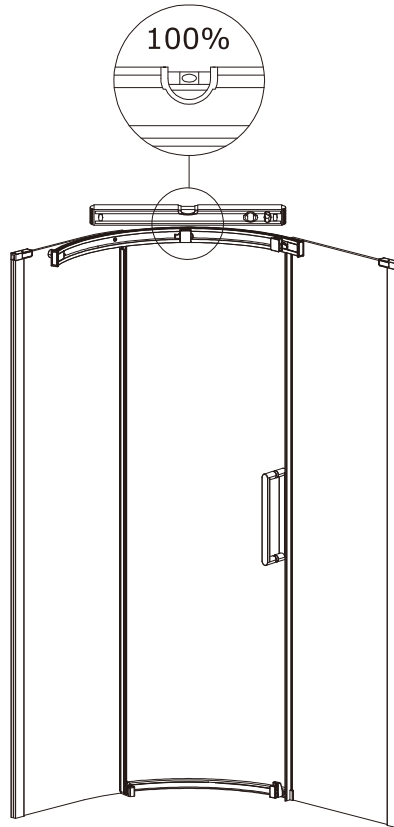
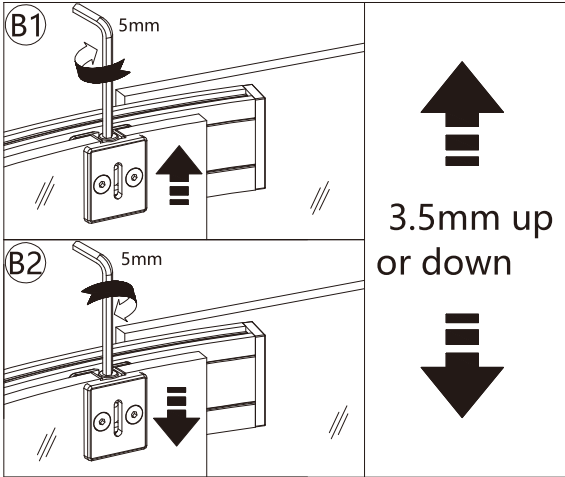
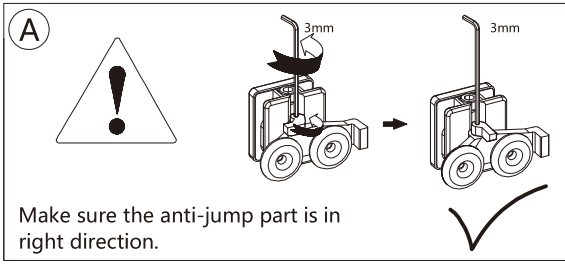
Option1:
Extend the pin slightly
(MAX 6mm)



Option2:
Use the replacement roller with
spring(A19)



Step 12



Step 13

