

PRODUCT DATA SHEET



PRODUCT CODE

MA5000DWM

RANGE

Mada

DESCRIPTION

Mada Basin Unit 500 Matt White

WEBSITE LINK [Click Here](#)

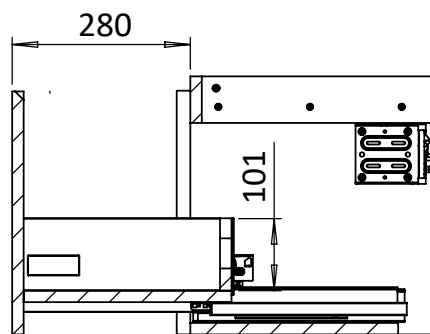
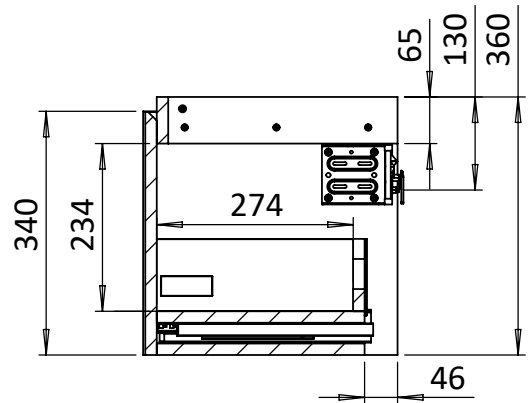
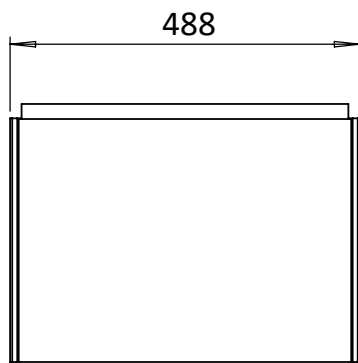
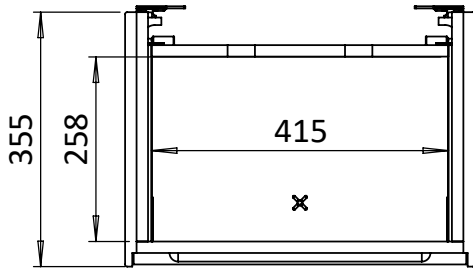
CATEGORY	Furniture
WARRANTY DETAILS	10 Years
COLOUR	Matt White
FINISH APPLICATION	Lacquered
PRIMARY MATERIAL	Steel
INSTALL TYPE	Wall Mounted
PRODUCT WIDTH MM	488
PRODUCT HEIGHT MM	360
PRODUCT DEPTH MM	355
PRODUCT NET WEIGHT KG	12
STANDARDS	EN 14749

COLOUR CODE / REFERENCE	NCS S0300N
DRAWER BOX	Steel
DRAWER RUNNERS	EMUCA - 3170935
DRAWER EXTENSION	Full extension
DRAWER ADJUSTMENT	2
WALL HANGERS	Yes
ADJUSTABLE FEET	No
DRAWER CAPACITY	30 KGS
DRAWER OPERATION	Soft close

TECHNICAL DIMENSIONS

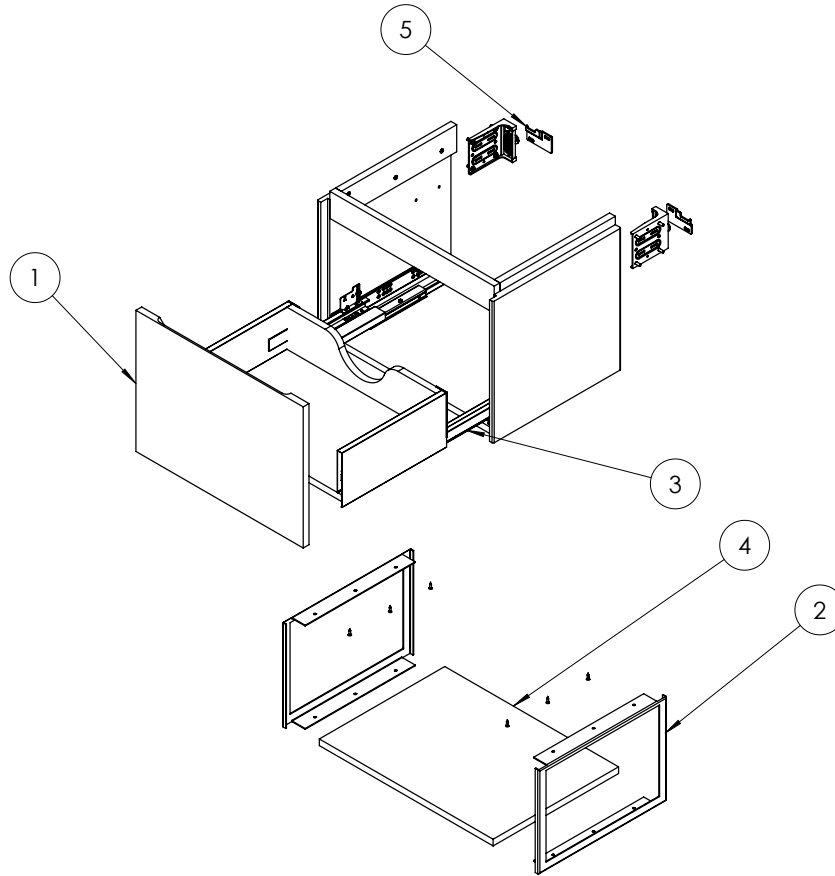
Dimensions in mm unless otherwise specified.

Tolerances (per material type) apply.



SPARES LIST

Only the parts labelled are available as spares.



NUMBER	PART CODE	DESCRIPTION
1	DF_MA5000DIB	Mada Drawer Front only for MA5000DIB
	DF_MA5000DSC	Mada Drawer Front only for MA5000DSC
	DF_MA5000DSGR	Mada Drawer Front only for MA5000DSGR
	DF_MA5000DWG	Mada Drawer Front only for MA5000DWG
2	FRAMEMADAIB	Mada Leg Metallic X1 all units Colour Indigo Blue
	FRAMEMADASC	Mada Leg Metallic X1 all units Colour Soft Clay
	FRAMEMADASGR	Mada Leg Metallic X1 all units Colour Sage Green
	FRAMEMADAWG	Mada Leg Metallic X1 all units Colour White
3	RUNNERSMADA	Mada set of Drawer Runners x2 All Units
4	SHELFMADA50	Shelf for MA5000
5	WBRACKETSCANVASS	Wall Brackets x2
	SCREPAIR	Touch Up Kit Soft Clay
	BMREPAIR	Touch Up Kit Black Matt
	WGREPAIR	Touch Up Kit Gloss White
	SGREPAIR	Touch Up Kit Storm Grey