

# PRODUCT DATA SHEET



## PRODUCT CODE

LB6105CW

## RANGE

Libra

## DESCRIPTION

Libra Toilet Seat Gloss White

WEBSITE LINK [Click Here](#)

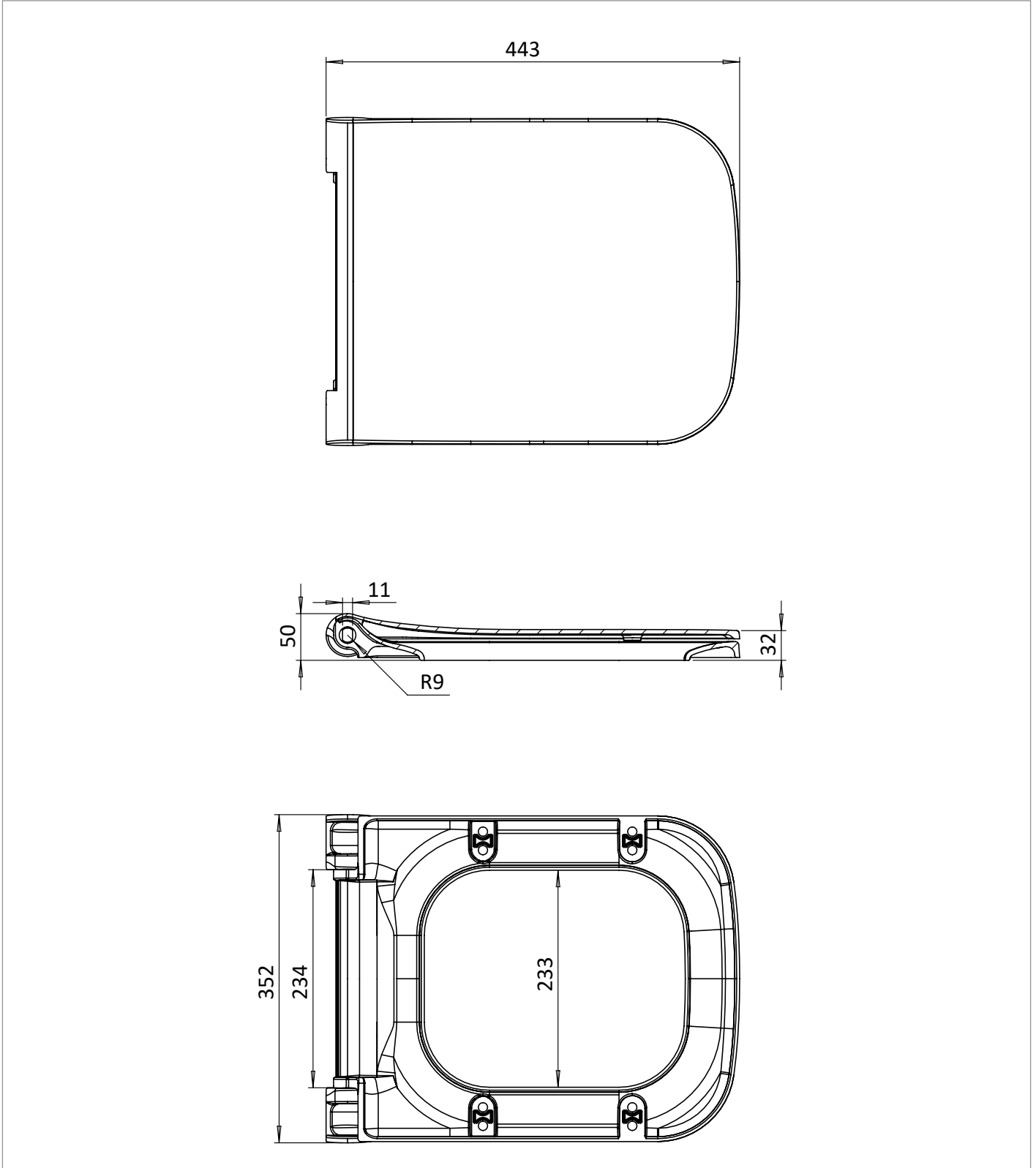
CATEGORY	Sanitaryware
WARRANTY DETAILS	2 Years
COLOUR	Gloss White
PRIMARY MATERIAL	Duroplast
PRODUCT WIDTH MM	352
PRODUCT HEIGHT MM	50
PRODUCT DEPTH MM	443
PRODUCT NET WEIGHT KG	2.3

FIXINGS INCLUDED	Yes
FIXING TYPE	Single push button

## TECHNICAL DIMENSIONS

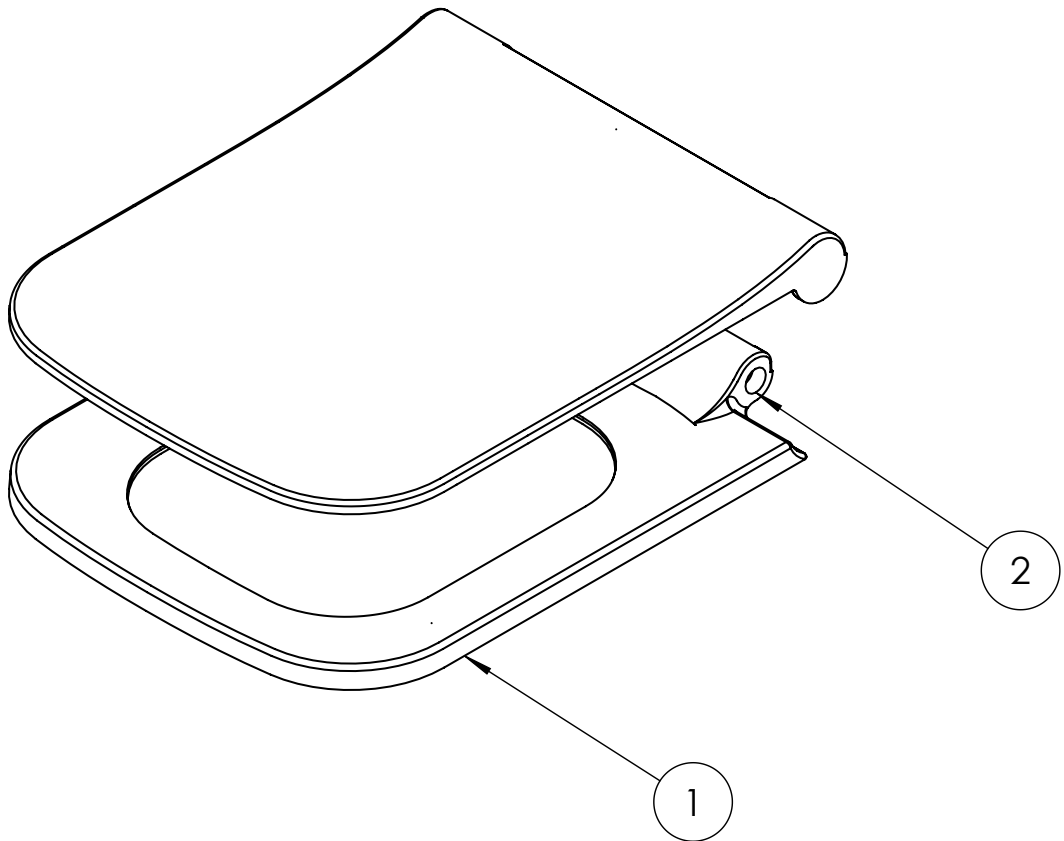
Dimensions in mm unless otherwise specified.

Tolerances (per material type) apply.



## SPARES LIST

Only the parts labelled are available as spares.



NUMBER	PART CODE	DESCRIPTION
1	BUFFERS_LIBRA	Libra Toilet Seat Buffers x4 Piece Set
2	SEATFIX_LIBRA	Libra Toilet Seat Fixing Kit