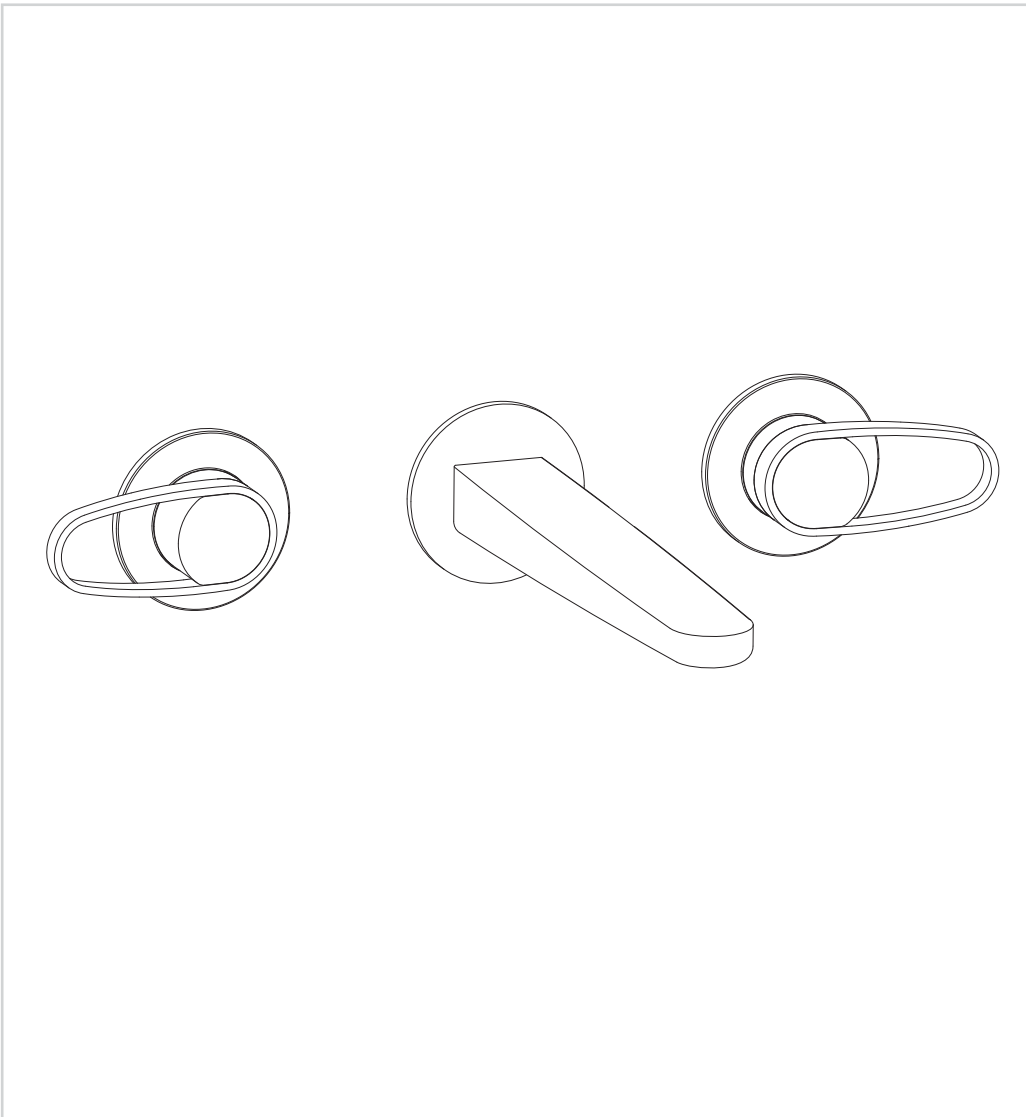


LAZO

Basin 3 Hole Set Wall mounted

PRODUCT CODES:

LA130TRIMC/F/M



IMPORTANT INFORMATION BEFORE YOU START

Please read carefully and keep this information for further reference.

All products manufactured and supplied by Crosswater are safe provided they are installed, used correctly and receive regular maintenance in accordance with these instructions. If you are in any doubt about your ability to install this product safely you must employ the services of an experienced qualified plumber.

These fittings need to be installed in accordance with, and meet the requirements of the Water Supply (Water Fittings) Regulations 1999 and Scottish Byelaws 2004.

Operating pressure range: Minimum 0.2 bar, Maximum 5.0 bar.
Maximum static pressure: 10.0 bar.

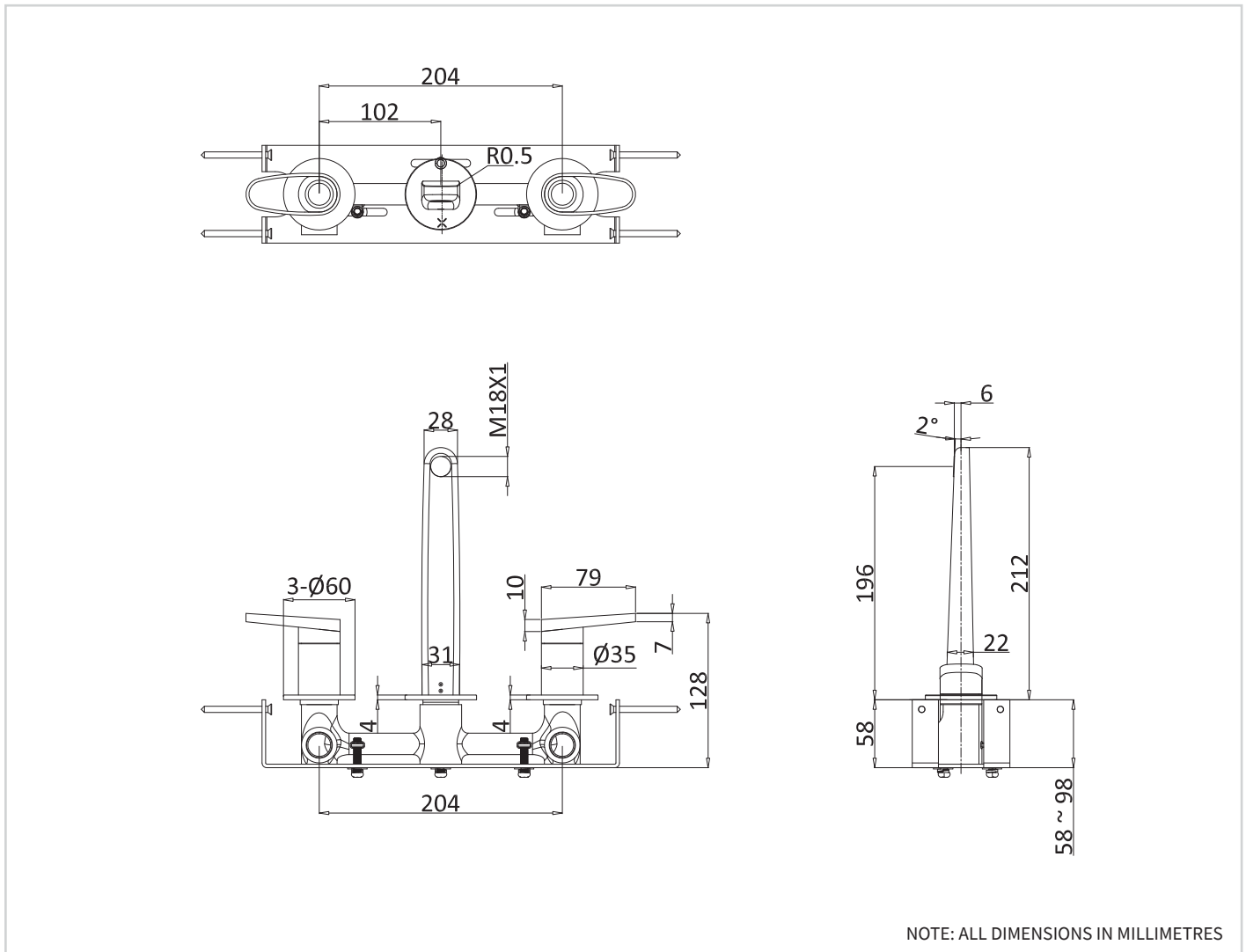
Note: Nominally equal (balanced) inlet supply pressures are recommended for optimum performance with mixer taps.

Designed to comply with BS EN 200 for single taps / combination taps and BS EN 817 for single lever mixers, for water systems of type 1 and 2 general technical specifications and to be used within systems designed to BS 6700. BS 6700 recommends the temperature of stored water should never exceed 65°C.

A stored water temperature of 60°C is considered sufficient to meet all normal requirements and will minimise the build up of lime scale in hard water areas.

If the fitting is installed at low pressure (tank fed), then the minimum distance from the highest installed position of the outlet to the underside of the cold tank should be at least 2 metres to ensure adequate performance.

DIMENSIONS



IMPORTANT INFORMATION

Please read carefully and keep this information for further reference.

These taps and mixers should be installed in compliance with the Water Regulations.

Where the supplies are unbalanced, i.e. Hot water from cylinder tank / cold from the mains, approved check valves must be fitted in the supply pipes.

For further details contact your Local Water Authority.

BEFORE YOU START

Important Pre-Installation Notes

Remove all packaging and check the fitting for damage before starting installation.

Warning: Before starting any installation please consider the following: before drilling into walls, check that there are no hidden electrical wires, cables or water supply pipes. This can be checked with the aid of an electronic detector.

If power tools are used do not forget to: -

Wear eye protection

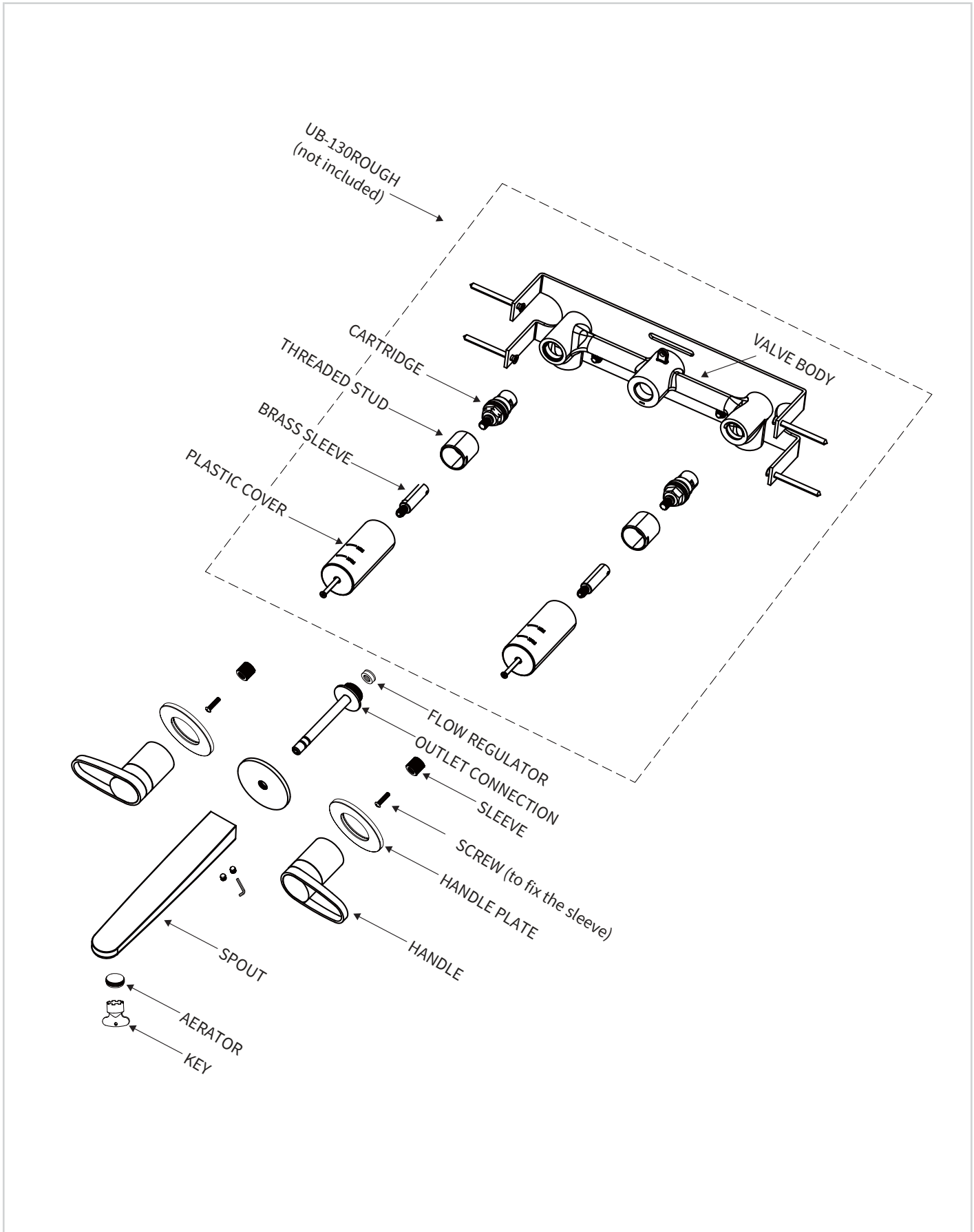
Unplug equipment after use

Important:

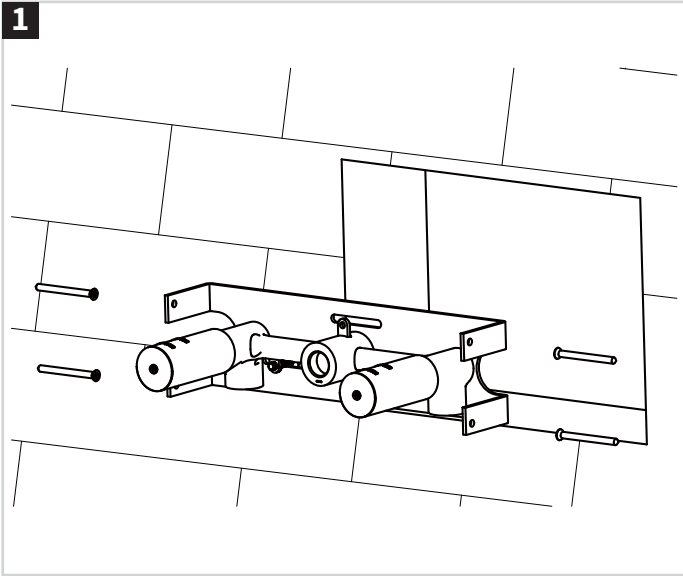
Remember to turn off the mains water supply before connecting to any existing pipe work. Fitting isolating valves to the inlet feeds is recommended for ease of maintenance.

Warning: Before installing the new fitting it is essential that you thoroughly flush through the pipework in order to remove any remaining swarf, solder, etc. Failure to carry out this procedure could cause problems or damage to the workings of the fitting.

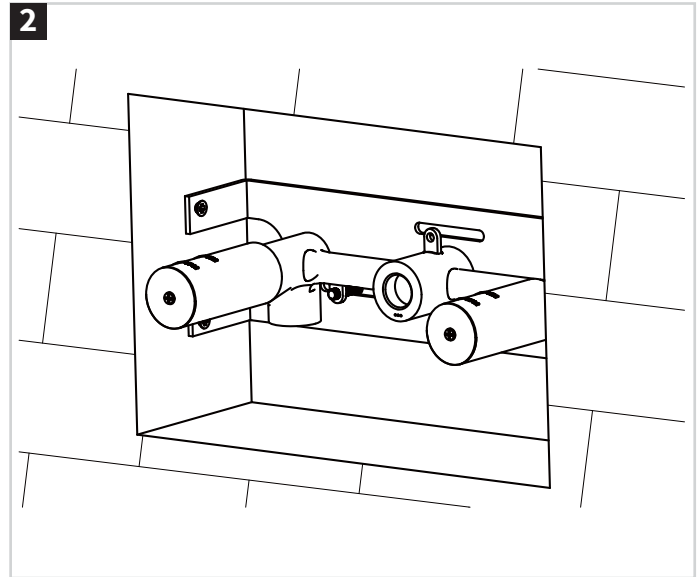
COMPONENTS



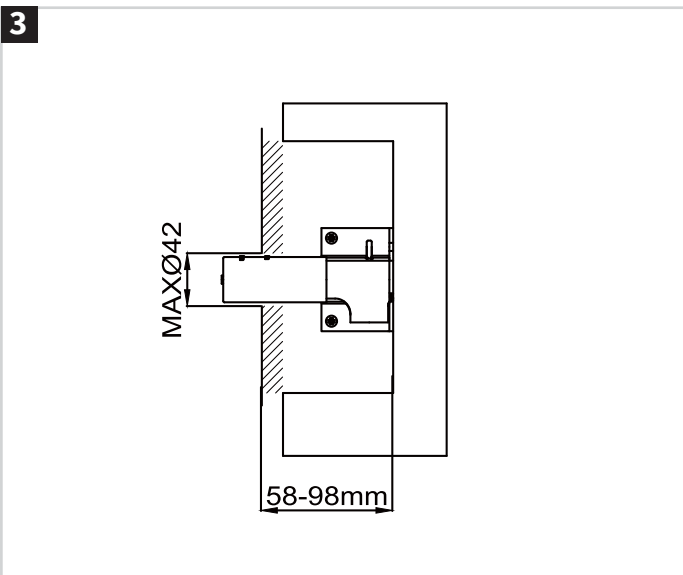
INSTALLATION



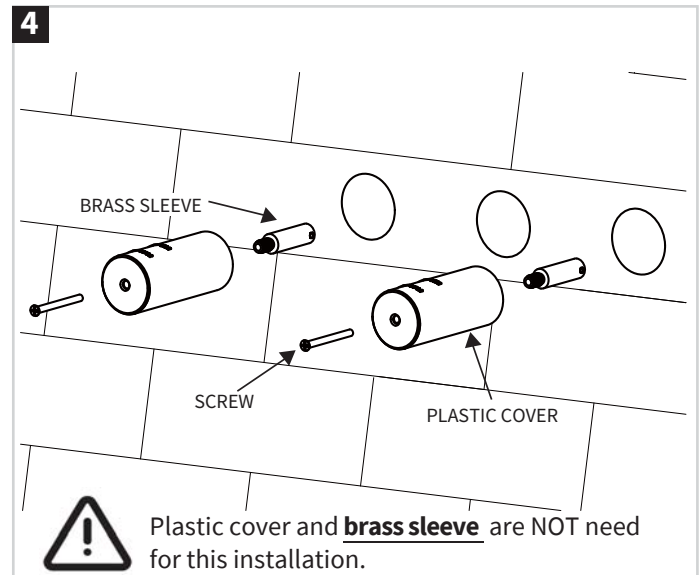
Flush the piping with plenty of water prior to installation.
IMPORTANT! The trim set needs to be used with UB-130ROUGH.
 A recess must be prepared in the wall to accommodate the bracket and valve body.



Place the bracket and valve body in position and determine what alteration to the existing pipework is necessary. Secure the bracket using suitable fixing screws for the wall type.
 Connect the hot (to the left) and cold (to the right) water supplies to the 1/2 fixing at the bottom of the valve body.

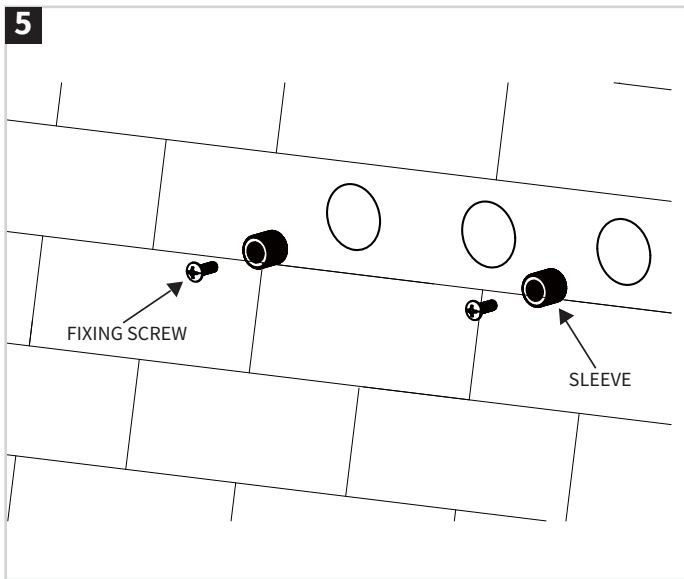


Don't remove plastic cover on the built-in tap, until the wall is completely finished; when tiles have set, remove the plastic cover.
 Please note the tile **should not** be fixed between the MAX marking and MIN marking on the plastic protective covers.
 Tile the wall. The thickness should be between 58 to 98 mm from the tile to the bottom of the bracket.

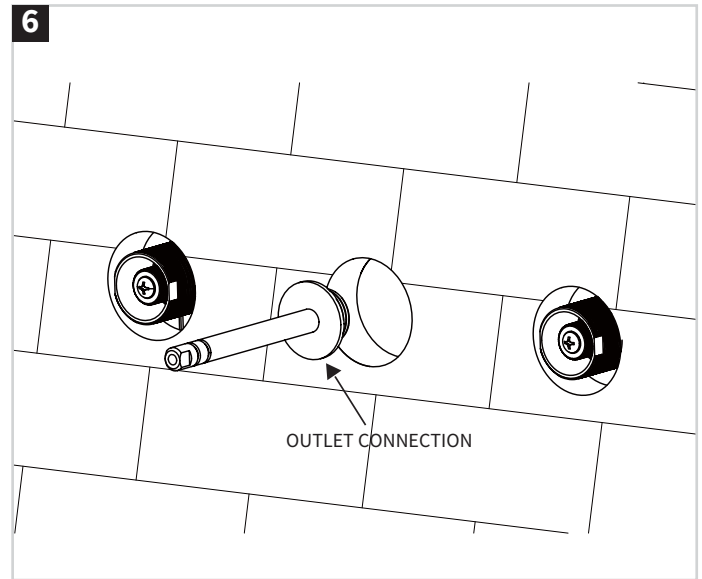


Unscrew the screws of plastic cover with a properly sized screwdriver. Remove the plastic cover and **brass sleeve** from the valve.
Attention: Please do NOT rotate the cartridge when removing brass sleeve.

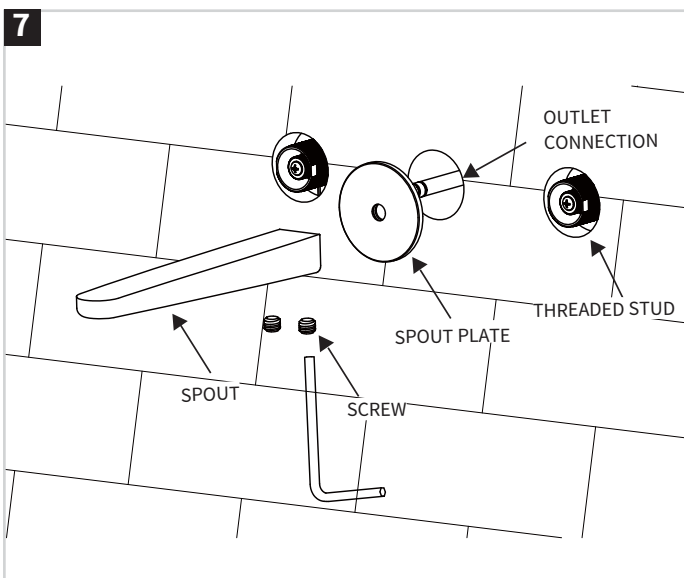
INSTALLATION



Attach the **sleeve** to the threaded stud using the fixing screws to fix them (in spare bag). These allow the two handles to align better.

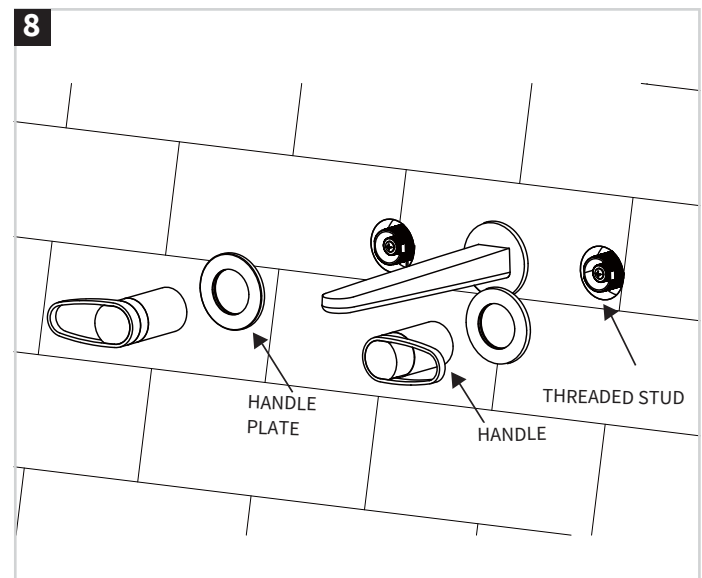


Screw and seal the outlet connection to the body on the wall.



Slide the spout plate over the outlet connection to make it close to the wall, insert the spout onto the valve body and tighten it with the grub screws taking care not to damage the surface of the spout.

Notes: the outlet connection is coated with silicone for easy installation, taking care not to stain the smooth surface when installing the spout plate.



Set the handle plate in position, then screw handle into the threaded stud, and tighten the handle. Please make sure the two handles are aligned and the lateral direction are "OFF".

Attention: Having first checked all new connections, turn on the mains stop cock, close all taps except the new mixer and as the system starts to refill check for leaks. Once you have satisfied yourself that there are no leaks, switch on the water heating.

CARE & MAINTENANCE

CLEANING THE CARTRIDGE

The concealed cartridge should give trouble free service, but in the event of any problems, servicing is straight forward.

CLEANING THE PRODUCT

The material we use in our taps is very durable, nevertheless care should be taken when cleaning them. They should be cleaned only with warm soapy water followed by rinsing with clean water and drying with a soft cloth. All finishes are vulnerable to acid attack and some strong substances such as household cleaners, disinfectants, denture cleaners, hair dyes, wine making, and photographic chemicals can cause the surface to go black or peel.

Note: Never use abrasive detergents or disinfectants or those containing alcohol, hydrochloric acid or phosphoric acid.

CLEANING THE AERATOR

Before use: Unscrew the aerator and allow the water to run the freely until all debris is removed. Screw the aerator back into the spout once all impurities have been flushed from the water supply.

Periodically: Using the key provided in the box, unscrew the aerator from the spout and rinse with clean running water. Once all loose debris and dirt has been cleared, replace the aerator into the spout and tighten with the key provided.

