

PRODUCT DATA SHEET



PRODUCT CODE

FS416FC

RANGE

Fuse

DESCRIPTION

Fuse Bath Shower Mixer Floor Standing Chrome

WEBSITE LINK [Click Here](#)

CATEGORY	Brassware
WARRANTY DETAILS	15 Years
COLOUR	Chrome
FINISH APPLICATION	Electroplated
PRIMARY MATERIAL	Brass
INSTALL TYPE	Floor Mounted
PRODUCT WIDTH MM	236
PRODUCT HEIGHT MM	1028
PRODUCT NET WEIGHT	4.97
STANDARDS	BS EN 817:2008

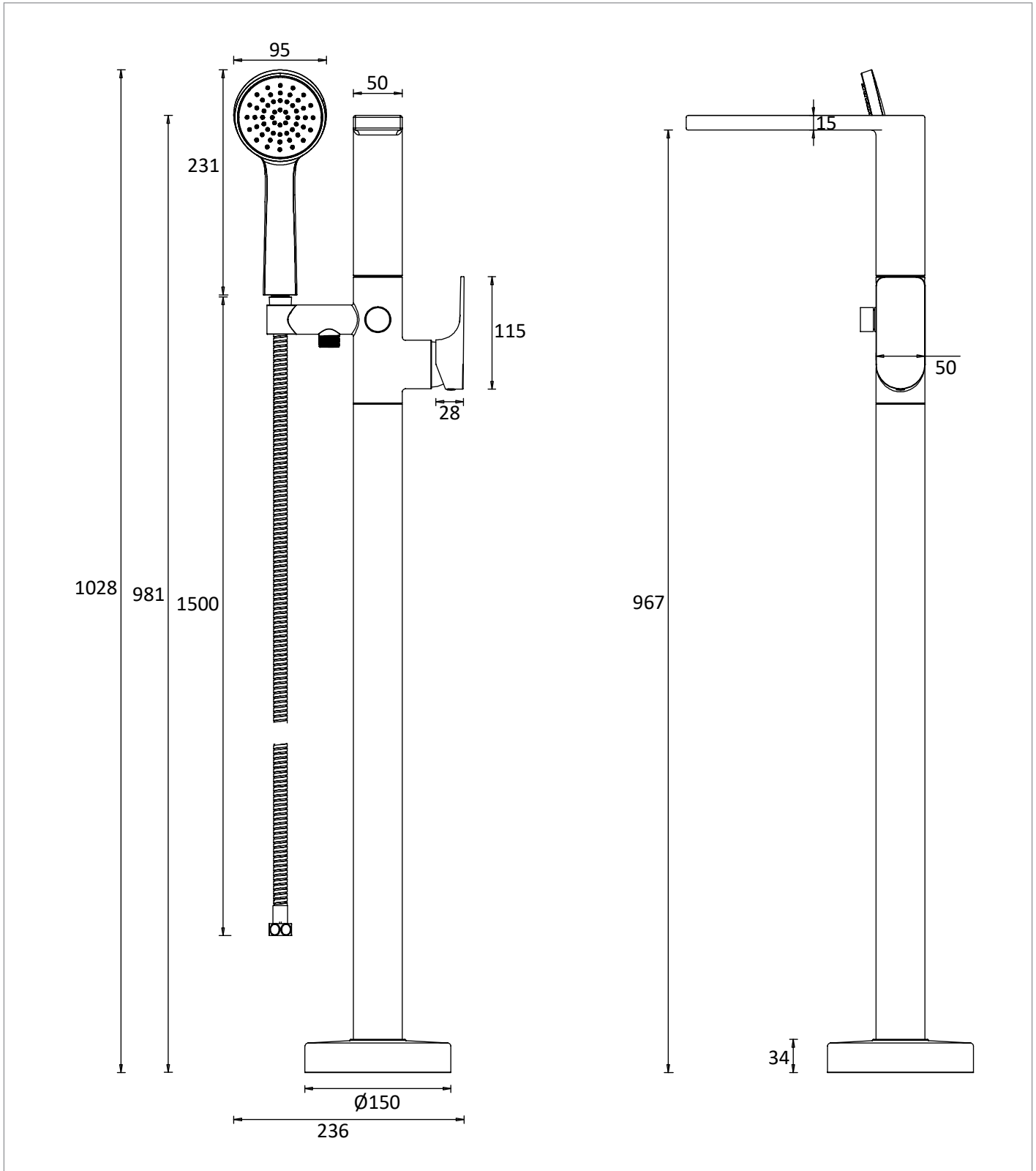
MINIMUM PRESSURE (BAR)	2
MAX WORKING PRESSURE (BAR)	5
TAP HOLES	1
NUMBER OF OUTLETS	2
HEADWORK	40mm Single lever ceramic cartridge
SPOUT PROJECTION	195
INLET CONNECTIONS THREAD	G3/4"
FLOW REGULATOR	Slim Honeycomb
WASTE INCLUDED	No
ANTI-SCALD	No
ENERGY SAVING	No
SHOWER HOSE & HANDSET ARE INCLUDED	Yes

PRESSURE (BAR)	0.2	0.5	1	2	3	4	5
PRIMARY FLOWRATE				17.3	20.8	24.3	27.8
HANDSET FLOWRATE				8.5	9.1	10.4	11.4
MESSAGE FLOW RATE							
AIR FLOW RATE							
WIRE FLOW RATE							
WATERFALL FLOW RATE							
MIST FLOW RATE							
HANDSPRAY FLOW RATE							

TECHNICAL DIMENSIONS

Dimensions in mm unless otherwise specified.

Tolerances (per material type) apply.



SPARES LIST

Only the parts labelled are available as spares.

--