

# PRODUCT DATA SHEET



## PRODUCT CODE

FO120WNC

## RANGE

Foile

## DESCRIPTION

Foile Basin 2H Set Wall Mounted  
Chrome

WEBSITE LINK [Click Here](#)

CATEGORY	Brassware
WARRANTY DETAILS	15 Years
COLOUR	Chrome
FINISH APPLICATION	Electroplated
PRIMARY MATERIAL	Brass
INSTALL TYPE	Basin Mounted
PRODUCT WIDTH MM	145
PRODUCT DEPTH MM	255
PRODUCT NET WEIGHT KG	1.96
STANDARDS	BS EN 200:2008

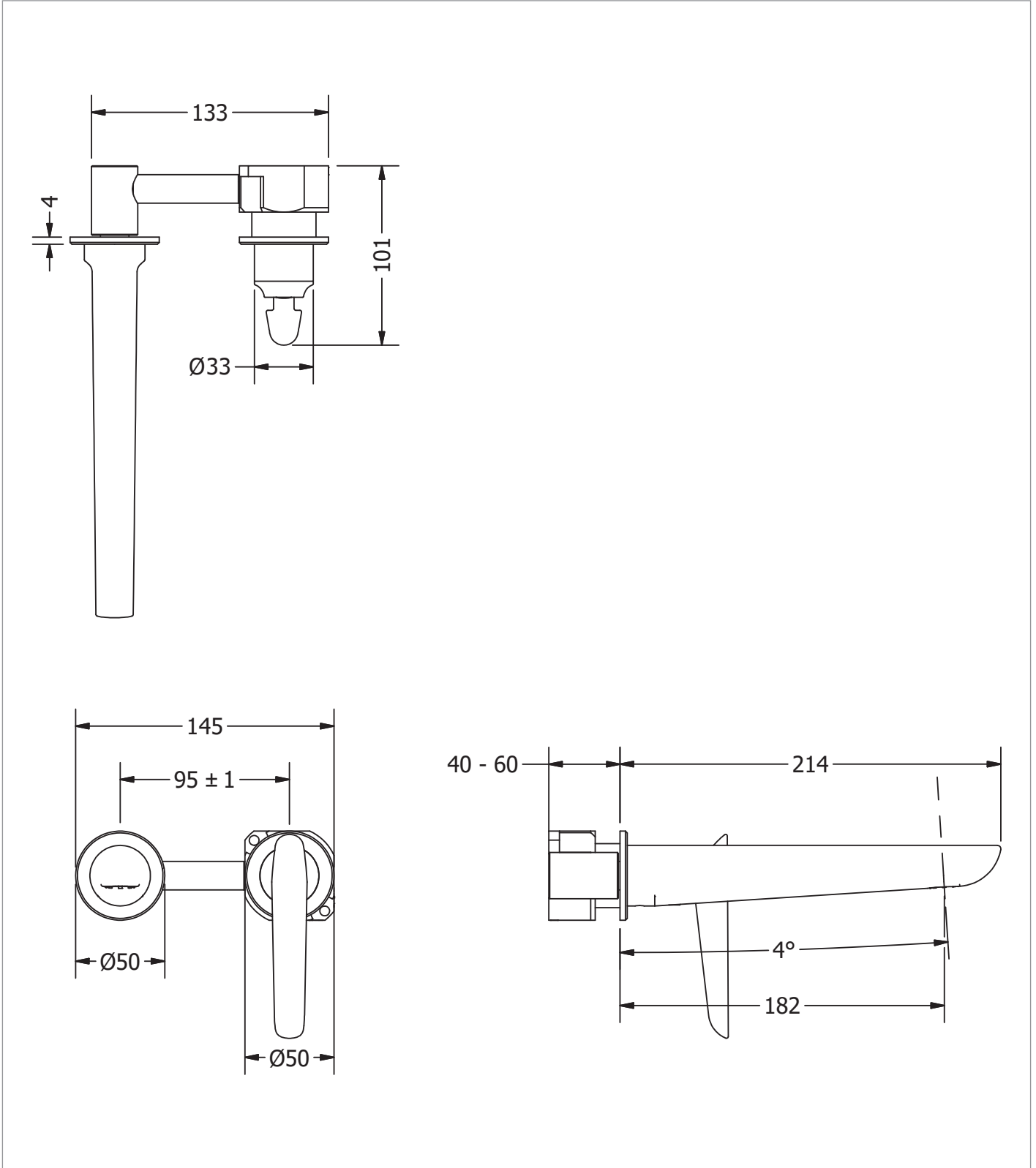
MINIMUM PRESSURE (BAR)	1
MAX WORKING PRESSURE (BAR)	5
HEADWORK	25mm Single lever ceramic cartridge
SPOUT PROJECTION	182
SWIVEL SPOUT	No
INLET CONNECTIONS THREAD	G1/2"
FLOW REGULATOR	Cache M16x1
WASTE INCLUDED	No
ANTI-SCALD	No
ENERGY SAVING	No
SHOWER HOSE & HANDSET ARE INCLUDED	No

PRESSURE (BAR)	0.2	0.5	1	2	3	4	5
PRIMARY FLOWRATE			3.4	4.8	5	5	5
HANDSET FLOWRATE							
MESSAGE FLOW RATE							
AIR FLOW RATE							
WIRE FLOW RATE							
WATERFALL FLOW RATE							
MIST FLOW RATE							
HANDSPRAY FLOW RATE							

## TECHNICAL DIMENSIONS

Dimensions in mm unless otherwise specified.

Tolerances (per material type) apply.



## SPARES LIST

Only the parts labelled are available as spares.

--