

PRODUCT DATA SHEET



PRODUCT CODE
FL4950DWO

RANGE
FLUTE

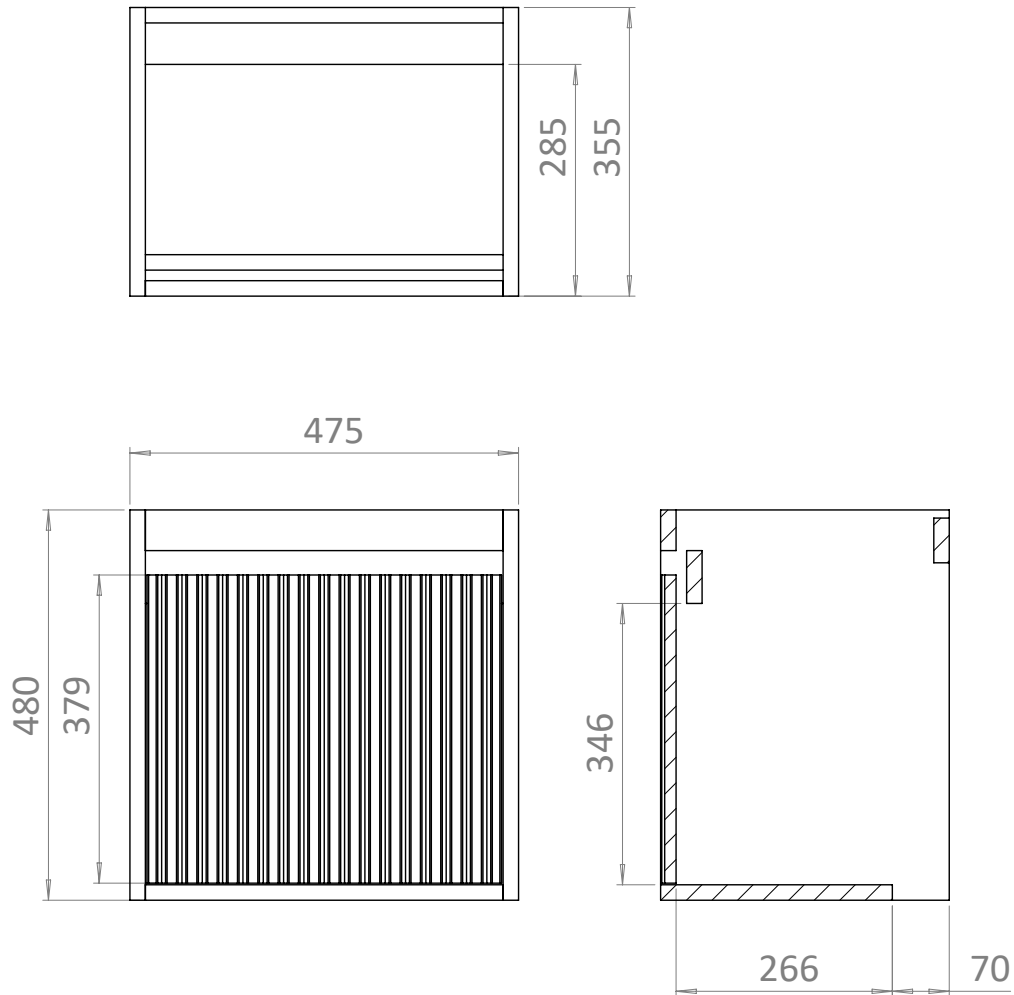
DESCRIPTION
1 Drawer Wall Hung Unit Windsor Oak

| | |
|------------------------|---|
| COLOUR | Windsor Oak |
| COLOUR CODE/ REFERENCE | Crosswater Exclusive |
| MATERIAL | MDF |
| STANDARDS | EN 13986 EN 14749 |
| INSTALLATION TYPE | Wall Hung |
| DRAWER BOX | Hettich |
| DRAWER RUNNERS | InnoTech Atira - Push To Open |
| DRAWER EXTENSION | Full Extension |
| DRAWER ADJUSTMENT | 3 Way |
| DRAWER CAPACITY | 30kg |
| ADJUSTABLE FEET | No |
| WALL HANGERS | Factory Fitted Load Capacity - 90kg Per pair on a Solid Wall 2 Way Adjustment |
| WARRANTY | 10 Years |

TECHNICAL DIMENSIONS

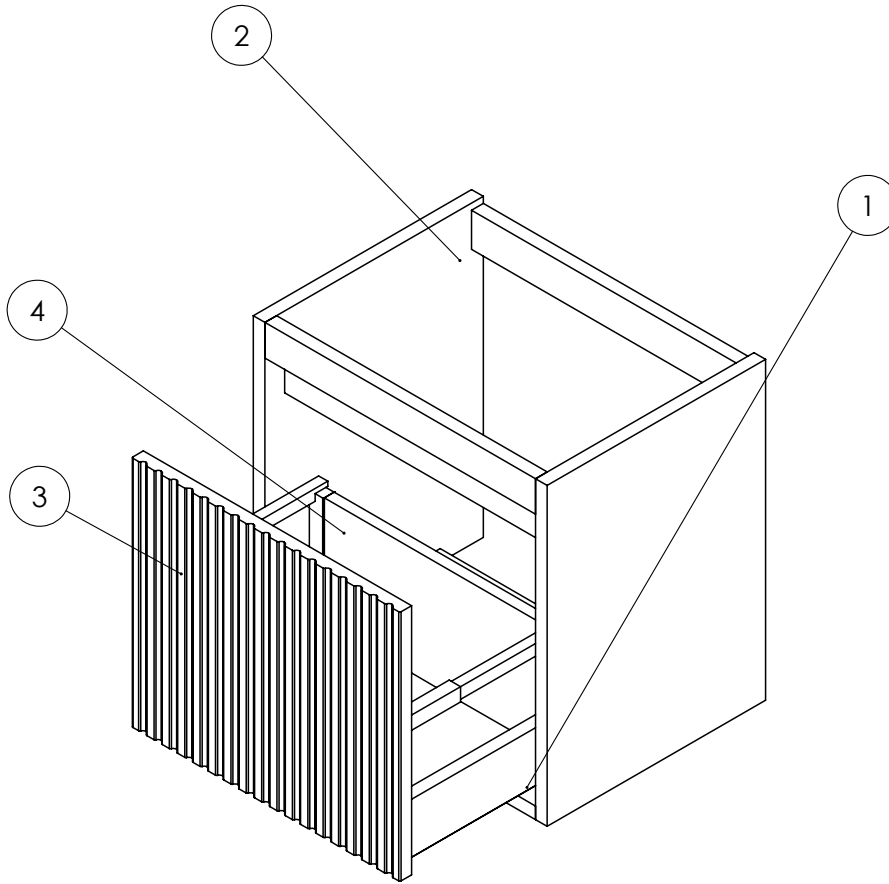
Dimensions in mm unless otherwise specified.

Tolerances (per material type) apply.



V10722

SPARES DIAGRAM



| NUMBER | PART CODE | DESCRIPTION |
|--------|----------------|--|
| 1 | RUNNERSFLUTE | Flute Set of Drawer Runners x2 FL4950Dxx |
| 2 | WBRACKETSFLUTE | Flute Wall Brackets x2 |
| 3 | TDF_FL4950DWO | Flute Drawer Front Windsor Oak FL4950DWO |
| | TDF_FL4950DNO | Flute Drawer Front Nordic Oak FL4950DWO |
| 4 | DRAWER_FL4590 | Flute Drawer Box Complete No Front for FL4950Dxx |

V10522