

# PRODUCT DATA SHEET



PRODUCT CODE  
FL4950DWO

RANGE  
FLUTE

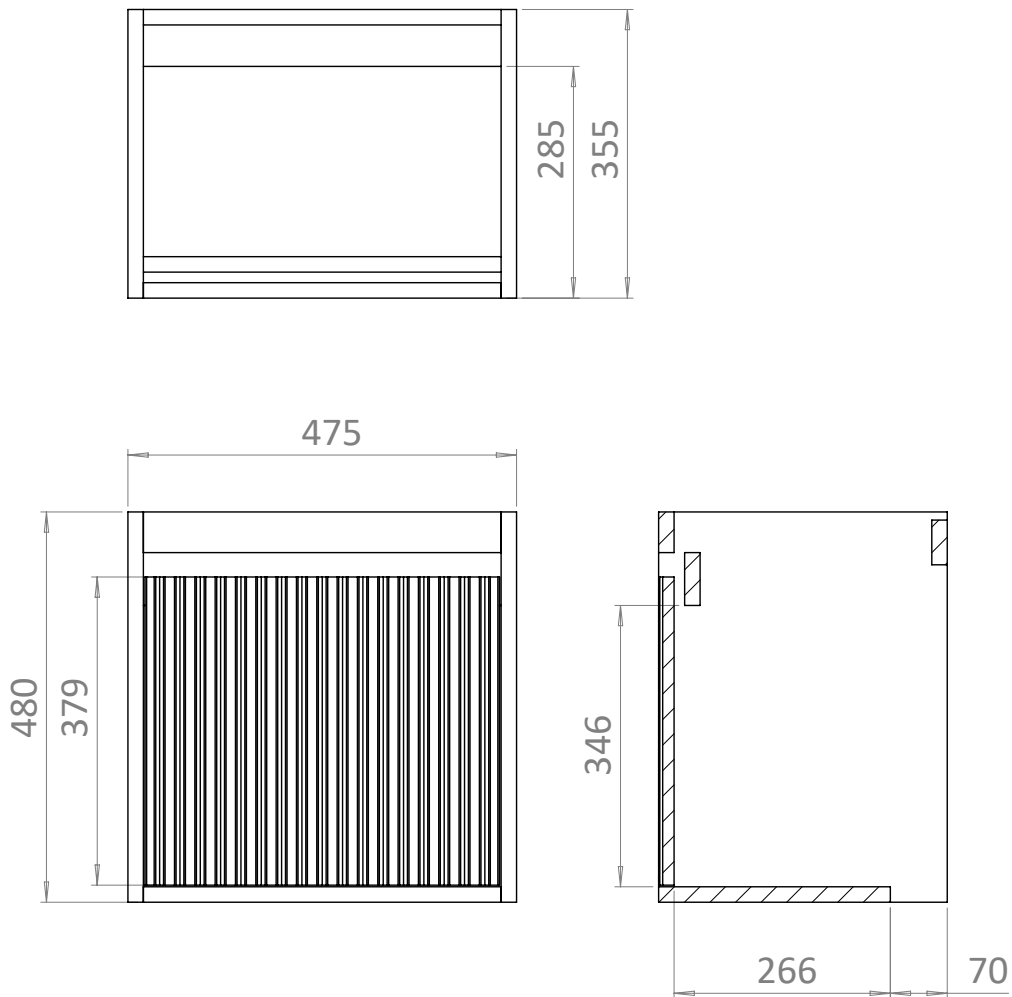
DESCRIPTION  
1 Drawer Wall Hung Unit Windsor Oak

COLOUR	Windsor Oak
COLOUR CODE/ REFERENCE	Crosswater Exclusive
MATERIAL	MDF
STANDARDS	EN 13986 EN 14749
INSTALLATION TYPE	Wall Hung
DRAWER BOX	Hettich
DRAWER RUNNERS	InnoTech Atira - Push To Open
DRAWER EXTENSION	Full Extension
DRAWER ADJUSTMENT	3 Way
DRAWER CAPACITY	30kg
ADJUSTABLE FEET	No
WALL HANGERS	Factory Fitted Load Capacity - 90kg Per pair on a Solid Wall 2 Way Adjustment
WARRANTY	10 Years

## TECHNICAL DIMENSIONS

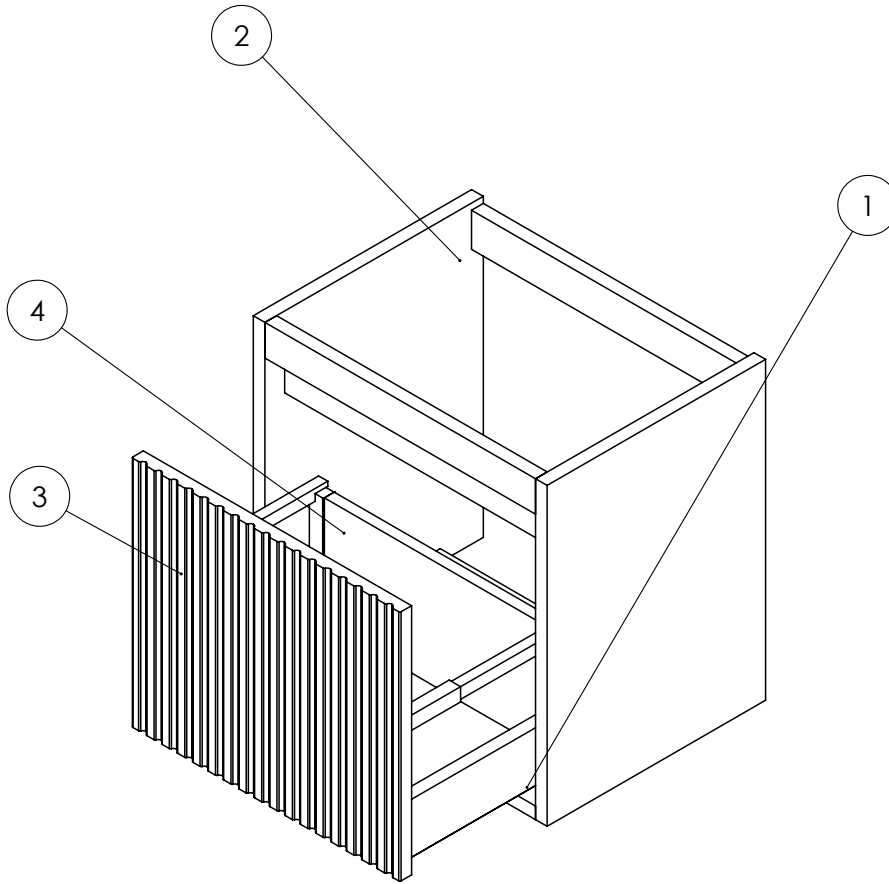
Dimensions in mm unless otherwise specified.

Tolerances (per material type) apply.



V10722

**SPARES DIAGRAM**



NUMBER	PART CODE	DESCRIPTION
1	RUNNERSFLUTE	Flute Set of Drawer Runners x2 FL4950Dxx
2	WBRACKETSFLUTE	Flute Wall Brackets x2
3	TDF_FL4950DWO	Flute Drawer Front Windsor Oak FL4950DWO
	TDF_FL4950DNO	Flute Drawer Front Nordic Oak FL4950DWO
4	DRAWER_FL4590	Flute Drawer Box Complete No Front for FL4950Dxx

V10522