

PRODUCT DATA SHEET



PRODUCT CODE

FL4950DNO

RANGE

FLUTE

DESCRIPTION

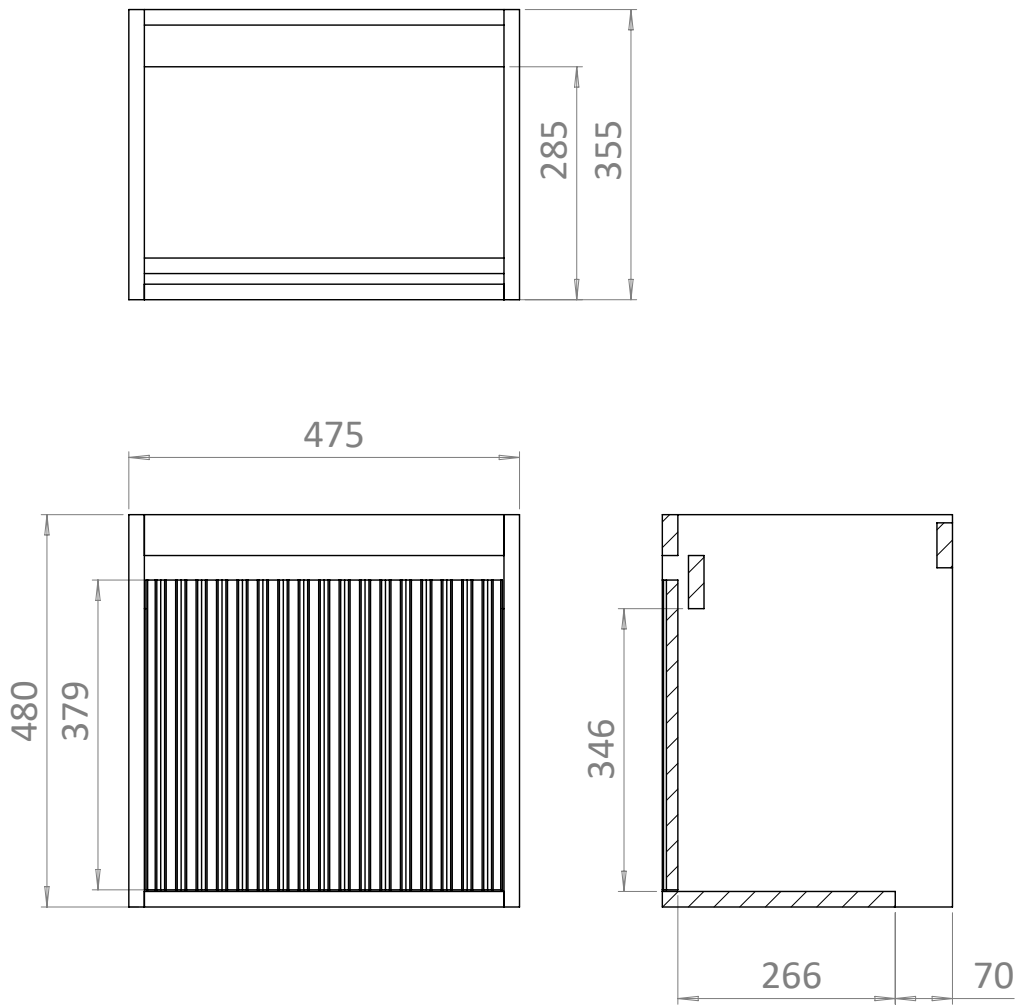
1 Drawer Wall Hung Unit Navarra Oak

COLOUR	Navarra Oak
COLOUR CODE/ REFERENCE	Crosswater Exclusive
MATERIAL	MDF
STANDARDS	EN 13986 EN 14749
INSTALLATION TYPE	Wall Hung
DRAWER BOX	Hettich
DRAWER RUNNERS	InnoTech Atira - Push To Open
DRAWER EXTENSION	Full Extension
DRAWER ADJUSTMENT	3 Way
DRAWER CAPACITY	30kg
ADJUSTABLE FEET	No
WALL HANGERS	Factory Fitted Load Capacity - 90kg Per pair on a Solid Wall 2 Way Adjustment
WARRANTY	10 Years

TECHNICAL DIMENSIONS

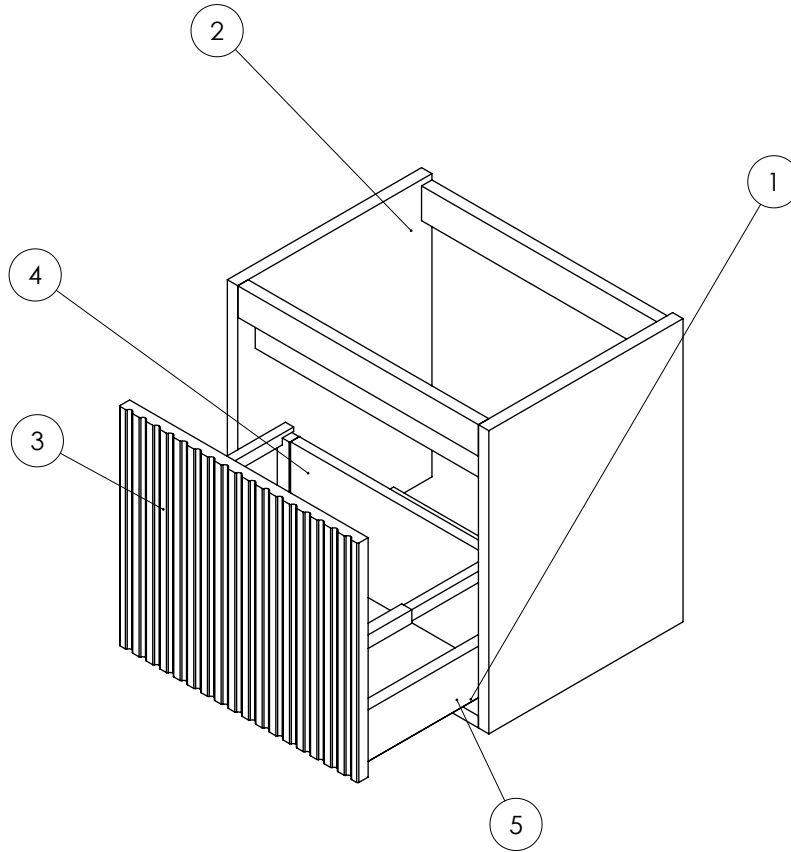
Dimensions in mm unless otherwise specified.

Tolerances (per material type) apply.



V11122

SPARES DIAGRAM



NUMBER	PART CODE	DESCRIPTION
1	RUNNERSFLUTE	Flute Set of Drawer Runners x2
2	WBRACKETSFLUTE	Flute Wall Brackets x2
3	TDF_FL4950DWO	Flute Drawer Front Windsor Oak
	TDF_FL4950DNO	Flute Drawer Front Navarra Oak
4	DRAWER_FL4590	Flute Drawer Box Complete No Front

V11122