

# PRODUCT DATA SHEET



PRODUCT CODE  
FL04951SMB

RANGE  
FLUTE

DESCRIPTION  
Glass Basin Midnight Black 1TH

COLOUR  
Midnight Black

MATERIAL  
Glass

STANDARDS  
EN 31/EN 14688 - CL0

INSTALLATION TYPE  
Furniture Mounted

DOP CLASS  
01-2017

CAPACITY OF WATER AT  
OVERFLOW LEVEL  
15 L

BASIN WASTE SIZE  
45mm

TAP HOLES  
1TH

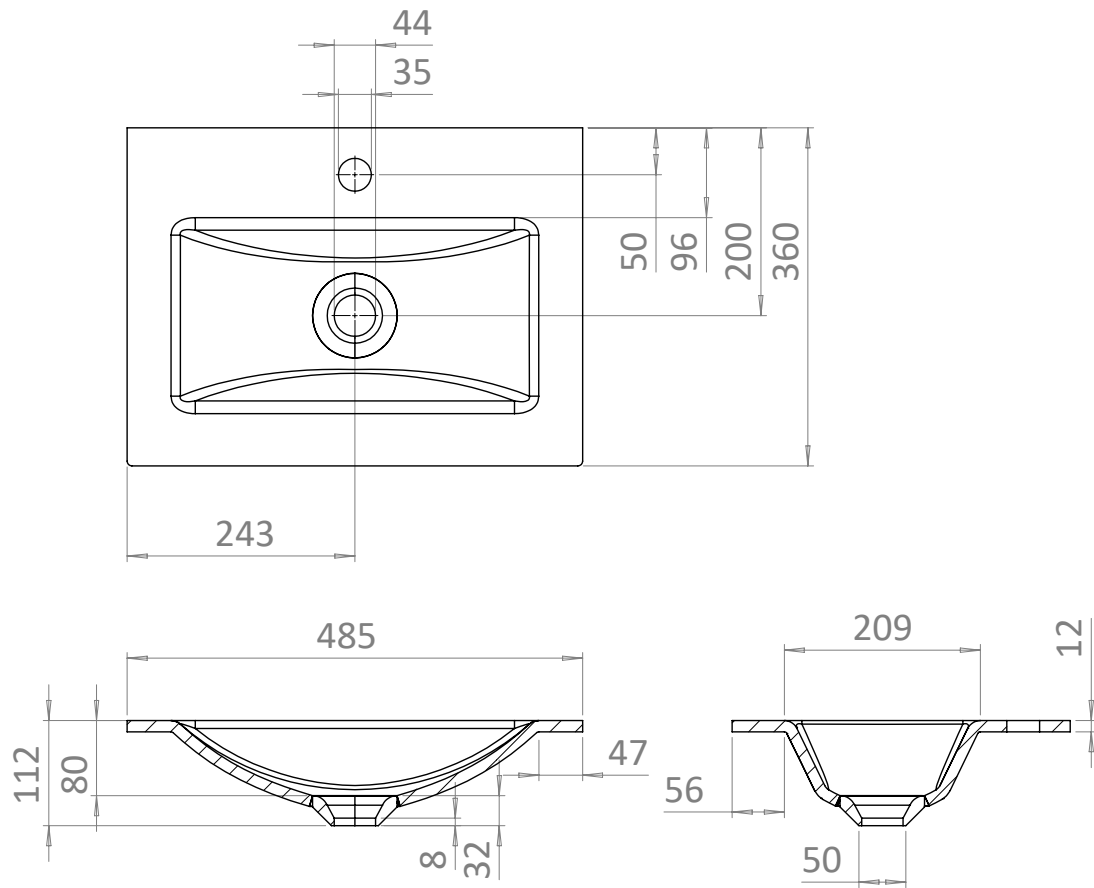
OVERFLOW  
No

WARRANTY  
10 Years

## TECHNICAL DIMENSIONS

Dimensions in mm unless otherwise specified.

Tolerances (per material type) apply.



V10522