

PRODUCT DATA SHEET



PRODUCT CODE
FL04951SIW

RANGE
FLUTE

DESCRIPTION
Glass Basin Ice White 1TH

COLOUR Ice White

MATERIAL Glass

STANDARDS EN 31/EN 14688 - CL0

INSTALLATION TYPE Furniture Mounted

DOP CLASS 01-2017

CAPACITY OF WATER AT OVERFLOW LEVEL 15 L

BASIN WASTE SIZE 45mm

TAP HOLES 1TH

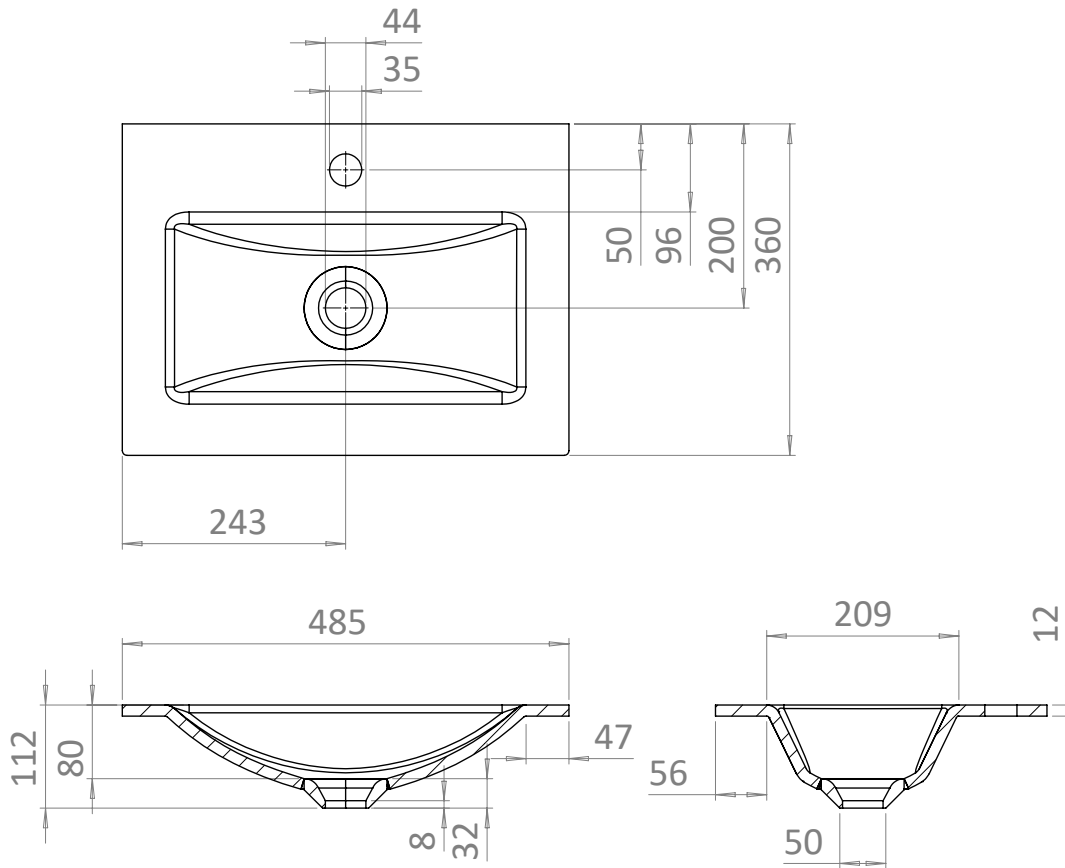
OVERFLOW No

WARRANTY 10 Years

TECHNICAL DIMENSIONS

Dimensions in mm unless otherwise specified.

Tolerances (per material type) apply.



V10522